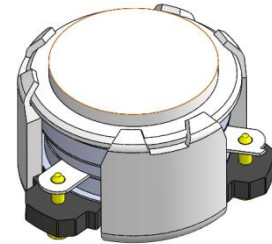




DP0208C

3400MHz to 3600MHz Single-Junction Surface Mount Circulator

REV.	DESCRIPTION	REVISOR	DATE	APPROVED
A		ZC.Wu	2020/03/03	

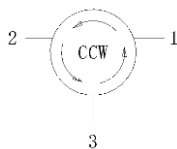


Applications:

- Wireless Infrastructure
- Power Amplifier

Features:

- Operating frequency range: 3400MHz to 3600MHz
- Operating temperature range: -40°C to +110°C
- Storage temperature range: -40°C to +125°C
- Small surface-mount package delivered on T&R
- BeO free & RoHS compliant



Block Diagram



Electrical Specifications:

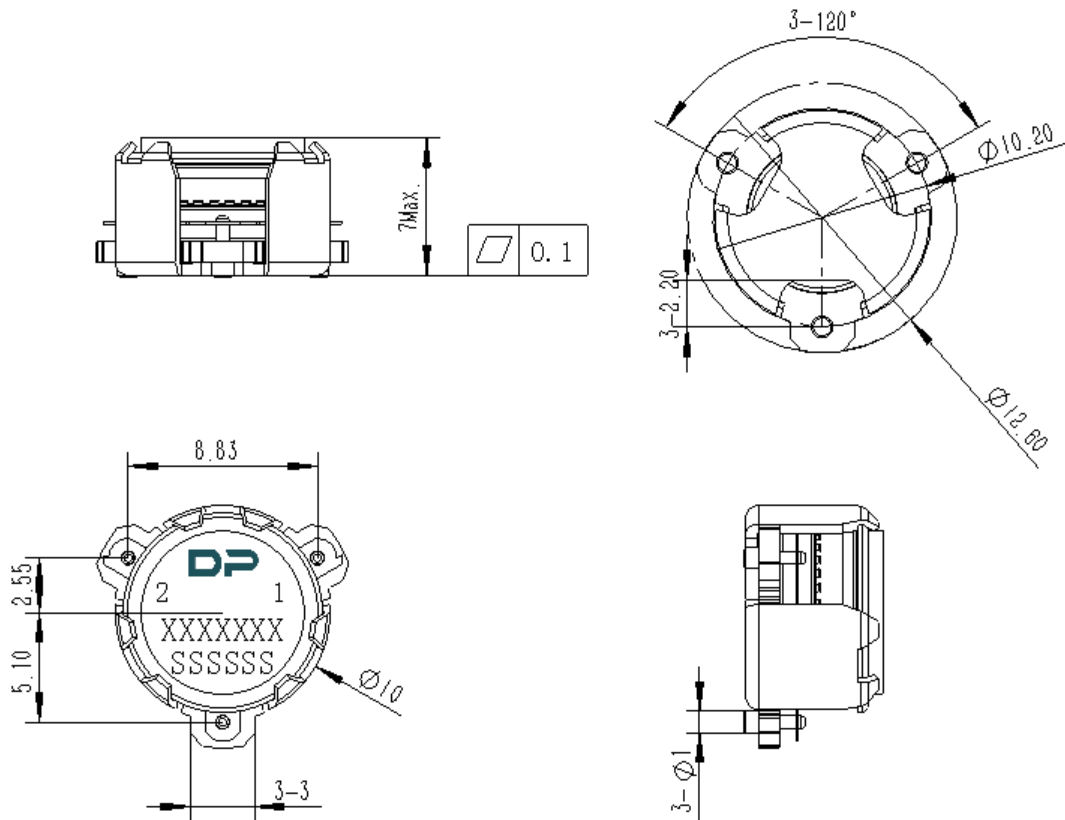
ITEM	SPECIFICATION	
Frequency	3400~3600	MHz
Direction	CCW	
Impedance	Typ: 50	Ω
Insertion Loss (Max.)	0.25@-40~+110 $^{\circ}$ C	dB
Isolation (Min.)	23@25 \pm 10 $^{\circ}$ C 20@-40~+110 $^{\circ}$ C	dB
Return Loss (Min.)	23@25 \pm 10 $^{\circ}$ C 22@-40~+110 $^{\circ}$ C 3@(Frequency band +/- 600MHz)	dB
3rd IMD (Max.)	-60@2x5W CW tones, 1MHz spacing	dBc
3rd IMD (Max.)	-55@2x10W CW tones, 1MHz spacing	dBc
Group delay	0.4~2	ns
2nd harmonic attenuation	20	dB
3rd harmonic attenuation	10	dB
Nx harmonic attenuation	5	dB
2nd Harmonic suppression (Max.)	-60@20W CW	dBc
3rd Harmonic suppression (Max.)	-60@20W CW	dBc
Power FWD/REV/PEAK	30/30/150	W
Termination/Attenuator	/	W/dB
Reciprocity	-0.05~+0.05 @Delta(S21 / S32) within any 10 $^{\circ}$ C temperature range	dB
Reciprocity	-1~+1 @Delta(S21 / S32) within any 10 $^{\circ}$ C temperature range	Deg

Notes:

1. Exposure to maximum rating conditions for extended periods may reduce device reliability. There is no damage to device with only one parameter set at the limit and all other parameters set at or below their nominal value. Exceeding any of the limits listed here may result in permanent damage to the device.
2. Performance is guaranteed under the conditions listed in this table and over the operating temperature range.
3. Performance will not degrade by > 10% (Insertion loss > 20%) with an operating temperature of up to 130 $^{\circ}$ C.



Mechanical Specifications:



Unit: Millimeters

Notes:

1. The housing and pins are silver-plated.
2. Tolerance $\pm 0.2\text{mm}$ unless otherwise specified.
3. Co-planarity Specification: 0.1mm maximum.
4. Part Number, Lot Code, and Port Designation are printed on the top side of device
5. Part Number format shall be XXXXXXX
6. Serial Number format shall be SSSSSS



Packaging Style:

ITEM	W	A0	B0	C0	K0	D	E	F	F2	P	P0	P2	T
DIM	32	Φ10.4	12.5	4	7.0	Φ1.5	1.75	14.2	28.5	24	4	2	0.5
TOLE	±0.3	±0.2	±0.2	±0.2	±0.2	+0.1	±0.1	±0.15	±0.1	±0.1	±0.1	±0.1	±0.05

