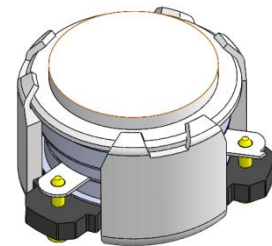




## DP0206C

### 2496MHz to 2690MHz Single-Junction Surface Mount Circulator

Revision A

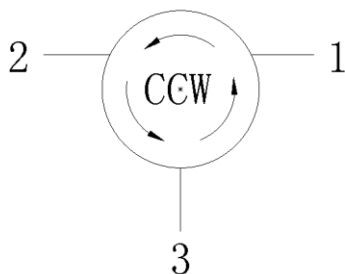


#### Applications:

- Wireless Infrastructure
- Power Amplifier

#### Features:

- Operating frequency range: 2496MHz to 2690M Hz
- Operating temperature range: -40°C to +110°C
- Storage temperature range: -40°C to +125°C
- Small surface-mount package delivered on T&R
- BeOfree&RoHS compliant



Block Diagram



### Electrical Specifications:

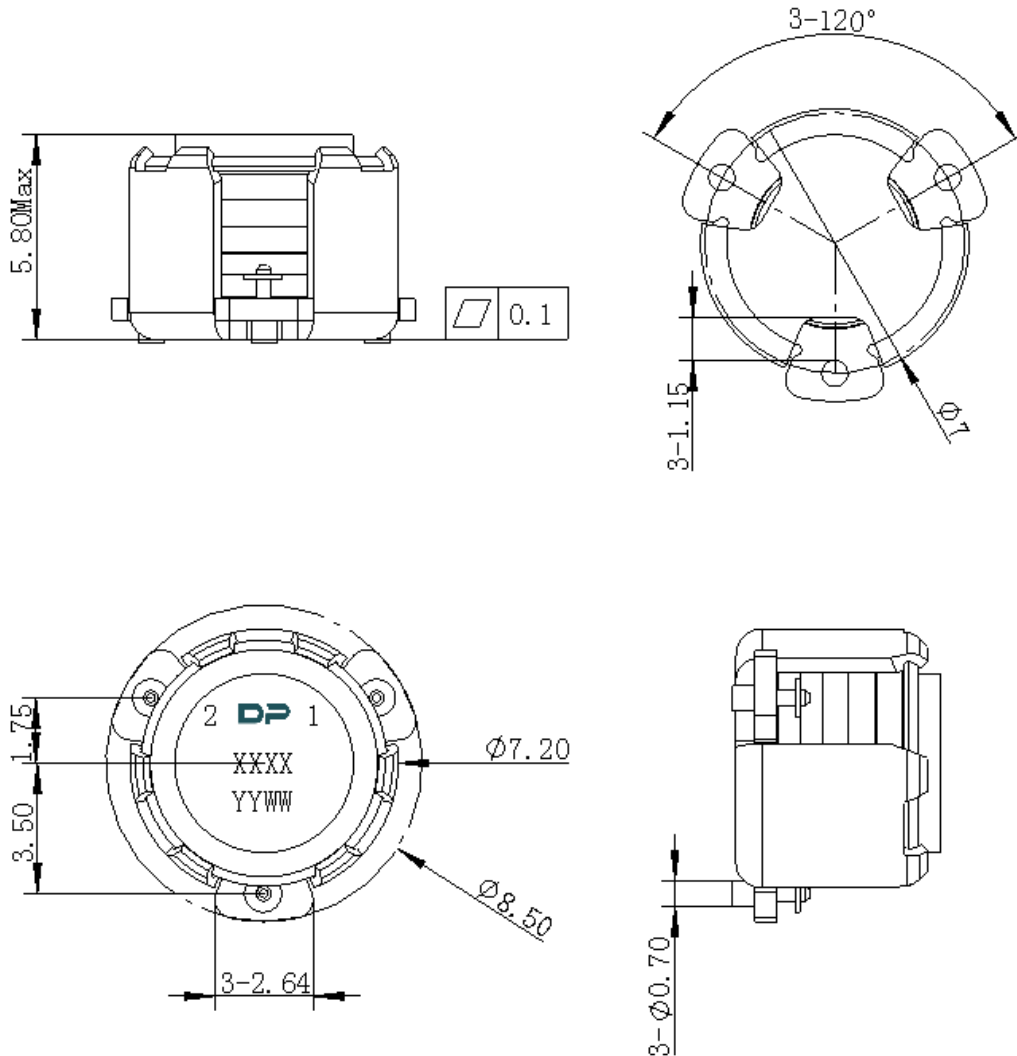
ITEM	SPECIFICATION	
Frequency	2496~2690	MHz
Direction	CCW	
Impedance	Typ: 50	$\Omega$
Insertion Loss (Max.)	0.25@25°C 0.30@-40~+110°C	dB
Isolation (Min.)	25@25°C 21@-40~+110°C	dB
Return Loss (Min.)	25@25°C 22@-40~+110°C	dB
Return Loss (Min.)	3 @(Frequency band +/- 600MHz)	dB
3rd IMD (Max.)	-60@2x5W CW tones, 1MHz spacing	dBc
3rd IMD (Max.)	-55@2x10W CW tones, 1MHz spacing	dBc
Group delay	0.4~2	ns
2nd harmonic attenuation	20	dB
3rd harmonic attenuation	10	dB
Nx harmonic attenuation	5	dB
2nd Harmonic suppression (Max.)	-60@20W CW	dBc
3rd Harmonic suppression (Max.)	-60@20W CW	dBc
Power FWD/REV/PEAK	30/30/150	dBc
Reciprocity	-0.05~0.05 @Delta(S21 / S32) within any 10 DegC temperature range	dB
Reciprocity	-1~1 @Delta(S21 / S32) within any 10 DegC temperature range	Deg

Notes:

1. Exposure to maximum rating conditions for extended periods may reduce device reliability. There is no damage to device with only one parameter set at the limit and all other parameters set at or below their nominal value. Exceeding any of the limits listed here may result in permanent damage to the device.
2. Performance is guaranteed under the conditions listed in this table and over the operating temperature range.
3. Customer P/N: UNK1023064/12



### Mechanical Specifications:



Unit: Millimeters

#### Notes:

1. The housing and pins are silver-plated.
2. Tolerance  $\pm 0.2$ mm unless otherwise specified.
3. Co-planarity Specification: 0.1mm maximum.
4. Part Number, Lot Code, and Port Designation are printed on the top side of device.
5. Serial Number format shall be SSSSS