

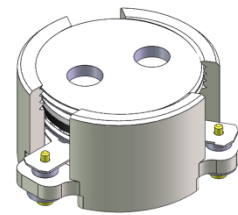


## DP0236C

2300MHz to 2400MHz Single-Junction Surface Mount Circulator

CUSTOMER:HUAWEI

REV.	DESCRIPTION	REVISOR	DATE	APPROVED
A		ZC.Wu	2020/05/08	Nick

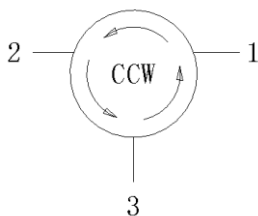


### Applications:

- Wireless Infrastructure
- Power Amplifier

### Features:

- Operating frequency range: 2300MHz to 2400MHz
- Operating temperature range: -40°C to +90°C
- Storage temperature range: -55°C to +125°C
- Small surface-mount package delivered on T&R
- BeOfree&RoHS compliant



Block Diagram



### Electrical Specifications:

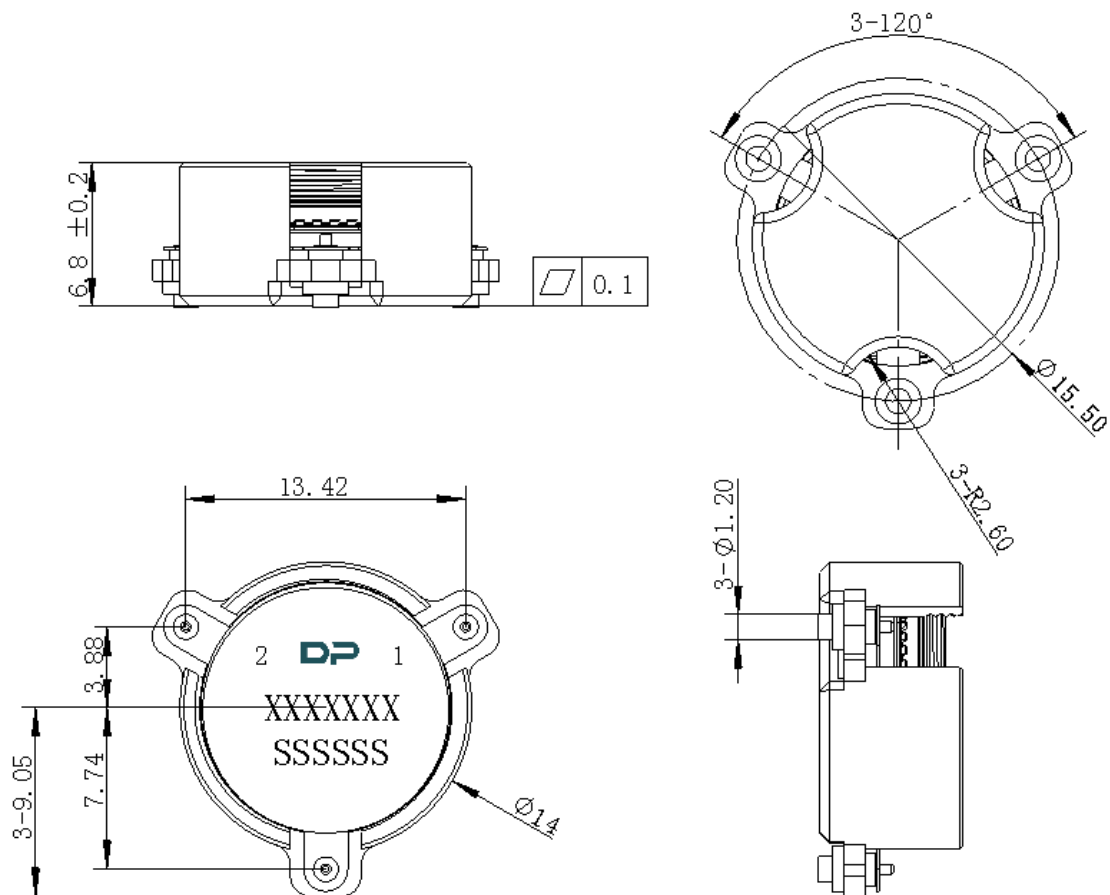
ITEM	SPECIFICATION	
Frequency	2300~2400	MHz
Direction	CCW	
Impedance	Typ: 50	$\Omega$
Insertion Loss (Max.)	Typ:0.20 0.25@-40~+90°C	dB
Isolation (Min.)	23	dB
Return Loss (Min.)	20	dB
3rd IMD (Max.)	-65@2*15W CW,Spacing 1MHz	dBc
Extend frequency	-	MHz
Group delay	2.0	ns
Ripple of group delay in extend frequency	-	ns
Isolation of extend frequency	-	
2nd harmonic suppression	15	dBc
3rd harmonic suppression	10	dBc
Power FWD/REV/PEAK	50/-/100	W
Termination/Attenuator	-	W/dB
Input Impedance ,real	Min:40 Typ:50 Max:60	$\Omega$
Input Impedance ,imaginary	Min:-5j Typ: 0j Max:+5j	$\Omega$
Resonance point of out-off-band	-	

Notes :

1. Exposure to maximum rating conditions for extended periods may reduce device reliability. There is no damage to device with only one parameter set at the limit and all other parameters set at or below their nominal value. Exceeding any of the limits listed here may result in permanent damage to the device.
2. Performance is guaranteed under the conditions listed in this table and over the operating temperature range.
3. Performance will not degrade by > 10% (Insertion loss > 20%) with an operating temperature of up to 130 °C.



**Mechanical Specifications:**



Unit : Millimeters

Notes:

1. The housing and pins are silver-plated.
2. Tolerance  $\pm 0.2$ mm unless otherwise specified.
3. Co-planarity Specification: 0.1mm maximum.
4. PartNumber, Lot Code, and Port Designation are printed on the top side of device.
5. Part Number format shall be XXXXXXXX
6. Serial Number format shall be SSSSSS



Packaging Style:

ITEM	W	A0	B0	K0	D	E	F	F2	P	P0	P2	T
DM	44	Φ14.3	18.5	7.2	Φ1.5	1.75	20.2	40.5	28	4	2	0.5
TOLE	±0.3	±0.2	±0.2	+0.2	+0.1	±0.1	±0.15	±0.1	±0.1	±0.1	±0.1	±0.05

