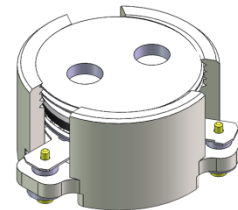




DP0234C

3400MHz to 3600MHz Single-Junction Surface Mount Circulator

REV.	DESCRIPTION	REVISOR	DATE	APPROVED
A		ZC.Wu	2020/05/08	Nick
B	Updated Electrical Specifications notes 3	ZC.Wu	2020/07/31	Nick

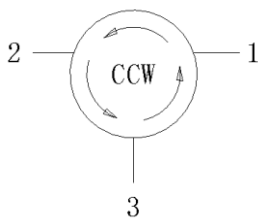


Applications:

- Wireless Infrastructure
- Power Amplifier

Features:

- Operating frequency range: 3400MHz to 3600MHz
- Operating temperature range: -40°C to +90°C
- Storage temperature range: -55°C to +125°C
- Small surface-mount package delivered on T&R
- BeOfree&RoHS compliant



Block Diagram



Electrical Specifications:

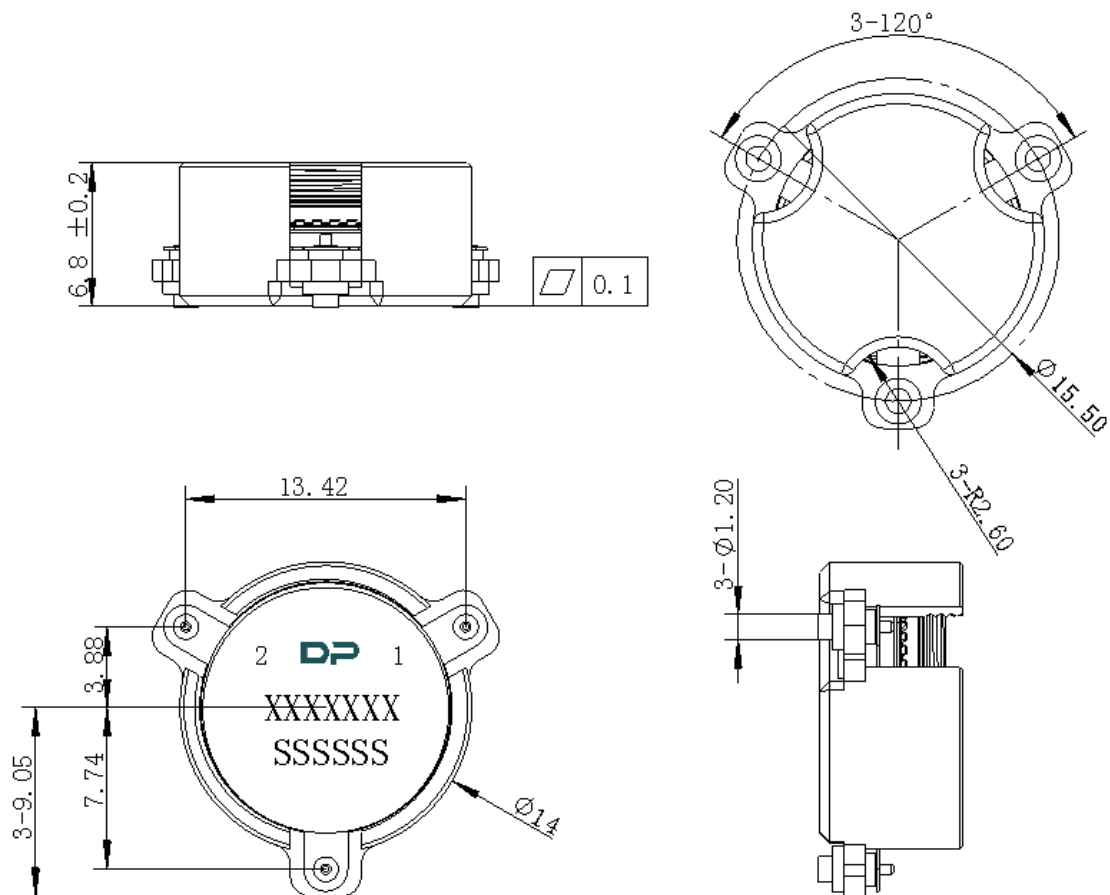
ITEM	SPECIFICATION	
Frequency	3400~3600	MHz
Direction	CCW	
Impedance	Typ: 50	Ω
Insertion Loss (Max.)	Typ:0.25 0.30@-40~+90°C	dB
Isolation (Min.)	23	dB
Return Loss (Min.)	20	dB
3rd IMD (Max.)	-65@2*20W CW,Spacing 1MHz	dBc
Extend frequency	-	MHz
Group delay	2.0	ns
Ripple of group delay in extend frequency	-	ns
Isolation of extend frequency	-	
2nd harmonic suppression	5	dBc
3rd harmonic suppression	15	dBc
Power FWD/REV/PEAK	50/-/100	W
Termination/Attenuator	-	W/dB
Input Impedance ,real	Min:45 Typ:50 Max:55	Ω
Input Impedance ,imaginary	Min:-5j Typ: 0j Max:5j	Ω
Resonance point of out-off-band	-	

Notes :

1. Exposure to maximum rating conditions for extended periods may reduce device reliability. There is no damage to device with only one parameter set at the limit and all other parameters set at or below their nominal value. Exceeding any of the limits listed here may result in permanent damage to the device.
2. Performance is guaranteed under the conditions listed in this table and over the operating temperature range.
3. Performance will not degrade by > 10% with an operating temperature of up to +90~ +110 °C.



Mechanical Specifications:



Unit : Millimeters

Notes:

1. The housing and pins are silver-plated.
2. Tolerance ± 0.2 mm unless otherwise specified.
3. Co-planarity Specification: 0.1mm maximum.
4. PartNumber, Lot Code, and Port Designation are printed on the top side of device.
5. Part Number format shall be XXXXXXXX
6. Serial Number format shall be SSSSSS



PackagingStyle:

ITEM	W	A0	B0	K0	D	E	F	F2	P	P0	P2	T
DM	44	Φ14.3	18.5	7.2	Φ1.5	1.75	20.2	40.5	28	4	2	0.5
TOLE	±0.3	±0.2	±0.2	+0.2	+0.1	±0.1	±0.15	±0.1	±0.1	±0.1	±0.1	±0.05

