

Customer Code : _____

DATASHEET

DAPU P/N: DPBA15625005

Plot			The Label
Drew	Audited	Approved	Stamp, please! Thanks!
Date: 2020.08.10			

Guangdong Dapu Telecom Technology Co.,Ltd

Bldg16,.N.Ind.Zone,SSL Industry Park, Dongguan City, Guangdong Province, China

TEL: 0086-0769-88010888 FAX: 0086-0769-81800098

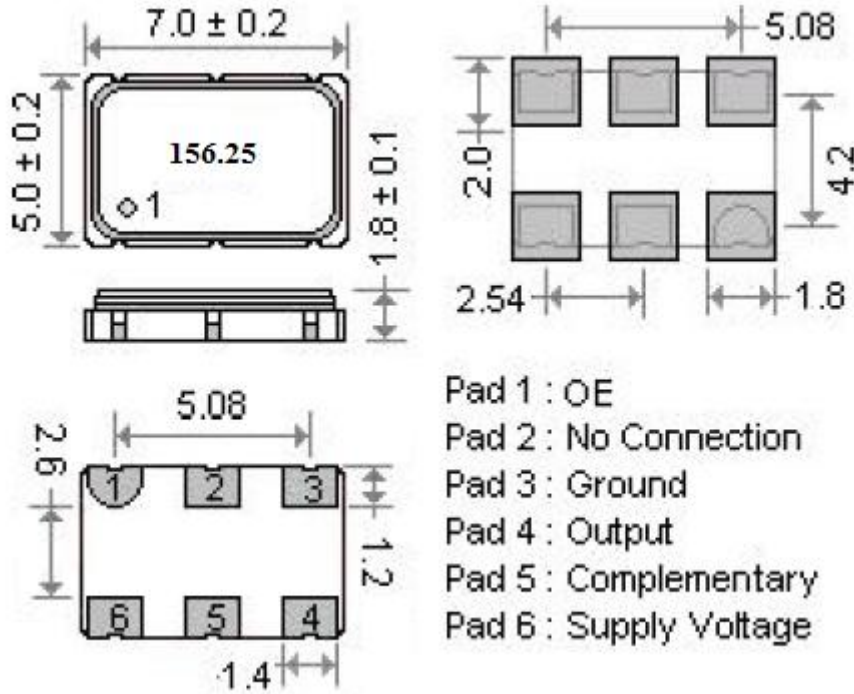


1、Electrical Parameters

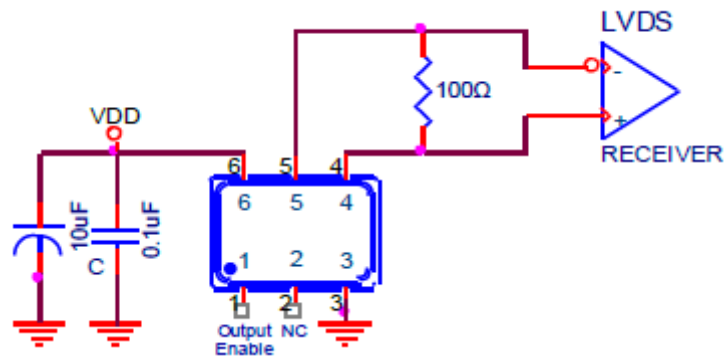
MODEL: DPBA15625005							
No.	Parameters	SYM.	Electrical Spec.				Notes
			Min.	Typ.	Max.	Units	
1	Nominal Frequency	FL	156.250			MHz	
2	Output Waveform		LVDS				
3	Supply Voltage		3.135	3.3	3.465	V	
4	Frequency Stability	F-stab	-20		+20	$\times 10^{-6}$	Over Operating Temperature
5	Operating Temperature	T-opr	-40	~	+85	$^{\circ}\text{C}$	
6	Storage Temperature	T-stg	-55	~	+150	$^{\circ}\text{C}$	
7	Output Voltage Swing	Vos	250	350	450	mV	RL = 100 ohms
8	Current Consumption	Iop		16	27	mA	
9	Rise/Full Time	Tr、 Tf		0.2	0.4	ns	20%~80%
10	Duty Cycle	DC	45		55	%	Measured 50% of waveform.
11	Output Voltage High "1"	V _{OH}		1.4	1.6	V	RL = 100 ohms
12	Output Voltage Low "0"	V _{OL}	0.9	1.1		V	RL = 100 ohms
13	Output Load		100			Ω	between output and complimentary output
14	Start up Time	T_start	-		10	ms	
15	Aging	F_aging	-3		+3	$\times 10^{-6}$	First Year
16	RMS Jitter	JMS		0.2		ps	12kHz ~ 20MHz integrated
17	Phase Noise	Phase Noise		-60		dBc/Hz	10Hz
				-97			100Hz
				-118			1KHz
				-128			10KHz
				-143			100KHz
				-147			1MHz
18	OE Function on pad No.1	If VDD * 70% (min.) is applied : Output. Enable Oscillation enable time : 10 m sec.(max.)					
		If VDD * 30% (max.) is applied : Output Disable Oscillation disable time : 0.2 u sec. (max.) Current consumption is 10 uA typical					



2、Mechanical Structure(mm)

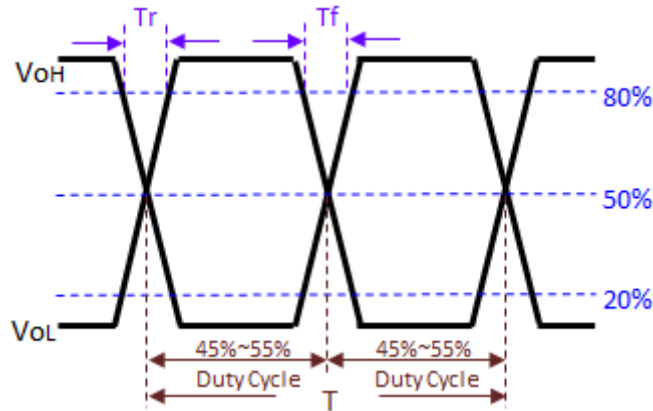


3、TEST CIRCUIT

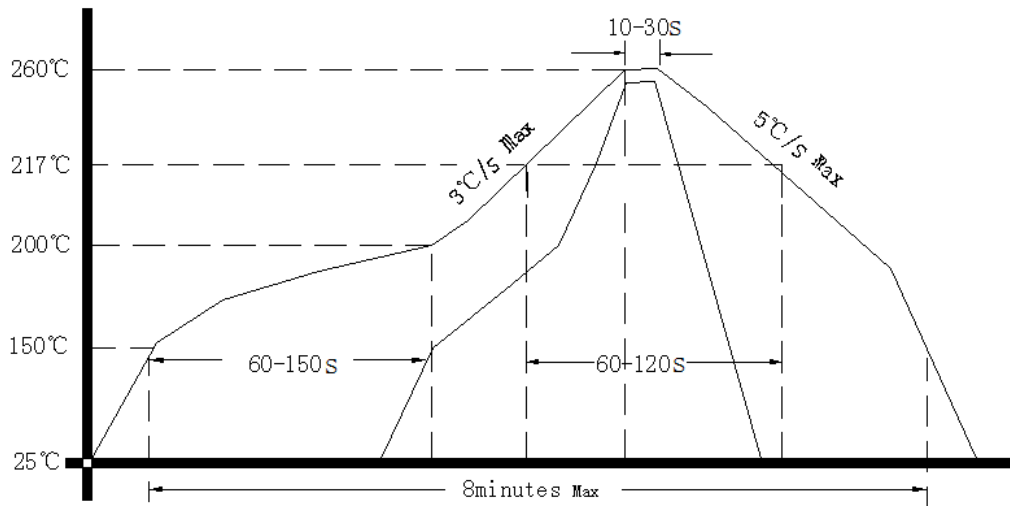




4、 OUTPUT WAVEFORM



5、 Reflow Soldering Curve (RoHS)



6、 Package: Tape & Reel (mm)

