

Travelling Merchant: _____

DATASHEET

Standard: V756-E611-122.88MHz

Plot			The Label
Drew	Audited	Approved	Stamp, please! Thanks!
Date:			

Guangdong Dapu Telecom Technology Co.,Ltd

Bldg13,.N.Ind.Zone,SSL Industry Park, Dongguan City, Guangdong Province, China

TEL: 0086-0769-88010888 FAX: 0086-0769-81800098



The Parameter of Product

MODEL: Y756-E611-122.88MHz

1. Output

- 1.1. Frequency 122.88MHz
- 1.2. Waveform LVPECL
Voh: Vcc-1.42V min.
Vol: Vcc-1.25V max.
- 1.3. Duty cycle 45%~55% @ 50%
- 1.4. Rise/Fall time(10%~90%) $\leq 1ns$
- 1.5. Load 50 Ω (Connect to VCC-2.0V)
- 1.6. Jitter $\leq 1.0ps$ RMS (12KHz ~20MHz)

2. Frequency Stabilities

- 2.1. Tolerance vs. Temperature Range $\leq \pm 2.0 \times 10^{-5}$ @ -40°C ~ +85°C ref. to 25°C
- 2.2. Initial Tolerance $\leq \pm 1.5 \times 10^{-5}$ @ 25°C, VC=1.65V
- 2.3. Stability vs. Supply Voltage $\leq \pm 3.0 \times 10^{-6}$ @ 3.3×(1±0.05)Vdc
- 2.4. Stability vs. Load $\leq \pm 1.0 \times 10^{-6}$ @ Load×(1±0.05) Ω
- 2.5. Aging $\leq \pm 1.0 \times 10^{-5}$ / 15 years

3. Power Supply

- 3.1. Operating Voltage 3.3×(1±0.05)Vdc

4. Current

- 4.1. Operating Current 65mA(Typical)

5. Voltage Control Characteristics

- 5.1. Control Voltage = 0V -100ppm~-200ppm
- 5.2. Control Voltage = 1.65 V -15ppm~+15ppm
- 5.3. Control Voltage = 3.3V +100ppm~+200ppm
- 5.4. Linearity $\leq 20\%$
- 5.5. Input impedance $\geq 1M \Omega$
- 5.6. Slope Positive

6. Phase Noise(Typical)

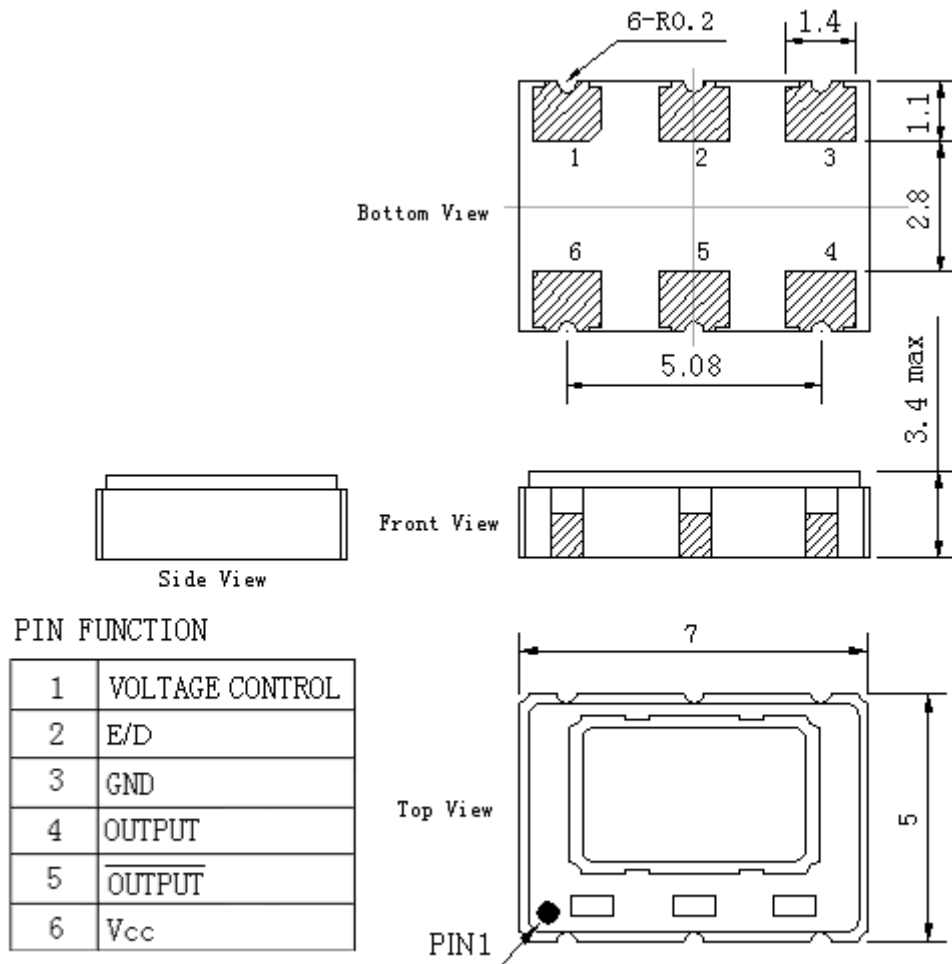
- 6.1. 100Hz -100dBc/Hz
- 6.2. 1KHz -120dBc/Hz
- 6.3. 10KHz -135dBc/Hz
- 6.4. 100KHz -140dBc/Hz



7. Environmental Conditions

- 7.1. Operable Temperature Range -40°C to +85°C
- 7.2. Storage Temperature Range -45°C to +90°C
- 7.3. Vibration Test Condition: 0.75mm ;acceleration:10g;50Hz~2000Hz, one cycle per 30 min, test 2 hour. (3 times for each 3 directions X , Y , Z)
- 7.4. Shock 100g; 11ms; half sine wave (3 times for each 3 directions X , Y , Z),IEC 68-2-27 Test Ea/Severity 50A.
- 7.5. Drop Test Condition: free drop on steel-made surface or rigid planes from a height of 100cm,IEC 68-2-32.

8. Mechanical Structure(mm)



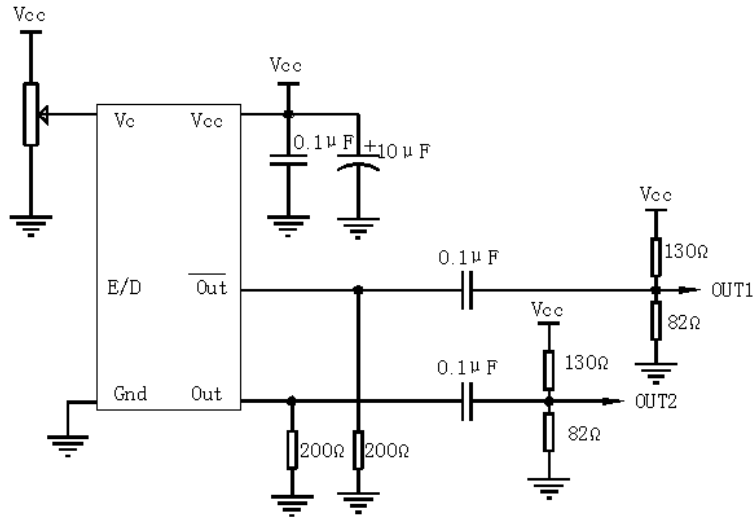
PIN FUNCTION

1	VOLTAGE CONTROL
2	E/D
3	GND
4	OUTPUT
5	OUTPUT
6	V _{CC}

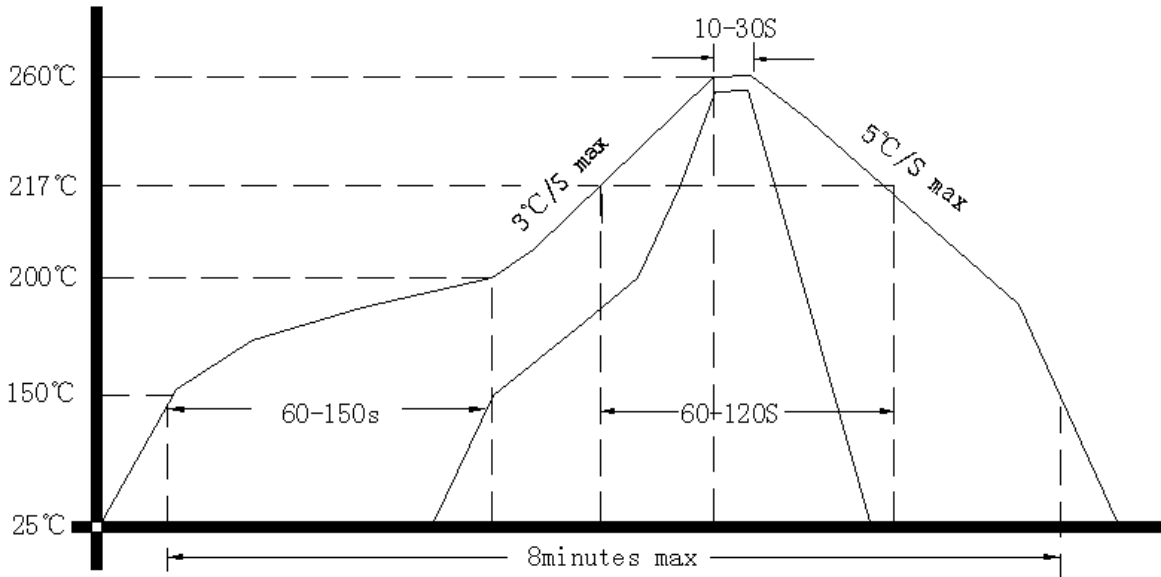
* Tolerance ±0.1mm without mark



9. Suggested output load configuration



10. Reflow Soldering Curve (RoHS)



11. Package: Tape & Reel (mm)

