

Customer Code : _____

DATASHEET

DAPU P/N: **T53-1801-48.0048MHz**

Customer P/N: _____

DAPU			Customer Approval
Drew	Audited	Approved	Stamp, please! Thanks!
Date: 2019.09.17			

Guangdong Dapu Telecom Technology Co.,Ltd

Bldg 16,.N.Ind.Zone,SSL Industry Park, Dongguan City, Guangdong Province, China

TEL: 0086-0769-88010888 FAX: 0086-0769-81800098



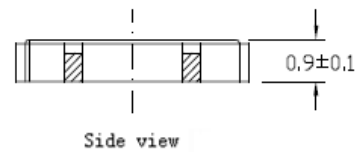
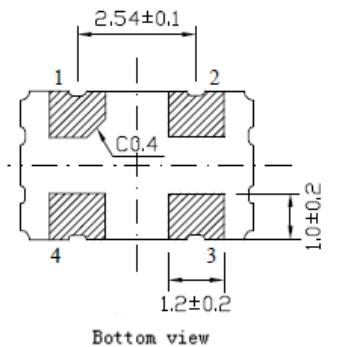
1. Electrical Parameters

MODEL: T53-1801-48.0048MHz						
Item	Description	Parameters			Unit	Test Condition
		Min.	Typ.	Max.		
Output	Frequency	48.0048			MHz	
	Output Waveform	CMOS				
	Output Logic High	0.9 V _{cc}			V	
	Output Logic			0.1 V _{cc}	V	
	Duty Cycle	45	50	55	%	@50%
	Rise / Fall Time (10%~90%)			4	ns	@25°C
	Load		15		pF	
	Start up time			10	ms	90% V _{cc} to the correct frequency output time
	Enable function	High level				
	Spurious suppression			5	dBc	
Frequency Stabilities	Tolerance (total)	-50		+50	× 10 ⁻⁶	After reflow, need to be subdivided: Frequency tolerance, Initial Frequency Tolerance, vs. Supply Voltage, vs. load, Aging Tolerance 10 Year(95°C)
	Frequency Slope			5	× 10 ⁻⁶ /°C	Temperature variable speed 2°C per minute. Test interval: test per 1°C
	DIP			2	× 10 ⁻⁶	Temperature variable speed 2°C per minute, Range is 20°C.
	Aging Tolerance 1 Year	-3		+3	× 10 ⁻⁶	V _{cc} =3.3V, and after 1h of operation.
Power Supply	Supply Current			20	mA	@25°C, V _{cc} =3.3V, O _{Load} =15pF.
	Supply Voltage	2.97	3.3	3.63	V	
Jitter	Jitter			0.3	ps-rms	12KHz-20MHz
Phase Noise	Phase Noise			-50	dBc/Hz	1Hz
				-80		10Hz
				-120		100Hz
				-138		1KHz
				-145		10KHz
				-152		100KHz
				-155		1MHz
				-155		10MHz



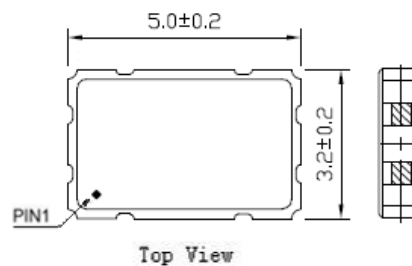
Environmental Conditions	Operable Temperature	-40		+85	°C	
	Storage Temperature	-55		+105	°C	
	ESD Level	Human Body Model, class2: 2000V to 4000V; ANSI/ESDA/JEDEC JS-001-2010.				
		Machine Model, class B: 200V to 400V; ANSI/ESDA/JEDEC JS-001-2010.				
	Moisture Sensitivity Level	Level 3.				
	Vibration	Test Condition: 0.75mm ;acceleration:10g;10Hz~2000Hz, one cycle per 30 min, test 2 hour. (3 times for each 3 directions X ,Y , Z) .IEC 68-2-06 Test Fc.				
Shock	100g; 6ms; half sine wave (3 times for each 3 directions X ,Y , Z),EC 68-2-27 Test Ea/Severity 50A.					
Full Package Storage	Relative Humidity (%)	20%~70%				
	Temperature (°C)	-10~35°C				

2. Mechanical Structure(mm)



Pin Connections

Pin	Description
1	OE
2	GND
3	OUT
4	VCC

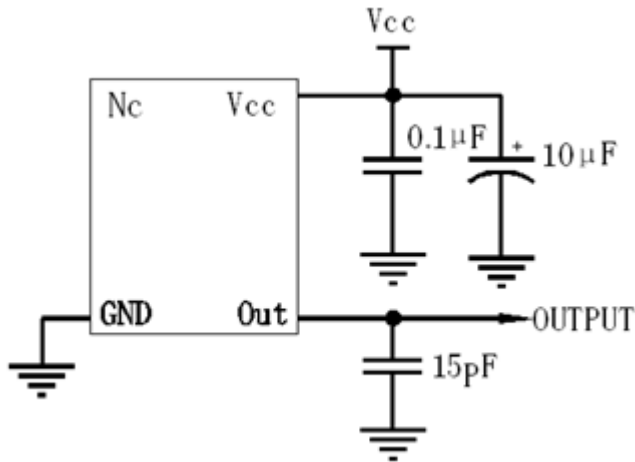


Note1: Tolerance ±0.2mm without mark

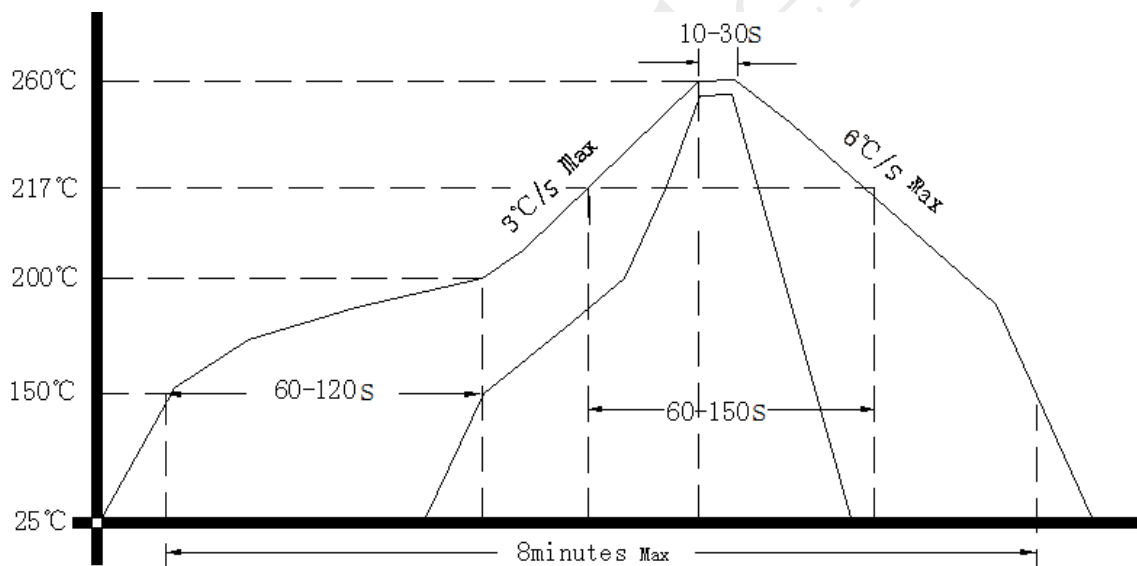
Note2: Referential weight 0.2g



3. Test Circuit



4. Reflow Soldering Curve (RoHS)



5. Package: Tape & Reel (mm)

