

Customer Code : _____

DATASHEET

DAPU P/N: OSC224-C619-125.00MHz

Plot			The Label
Drew	Audited	Approved	Stamp, please! Thanks!
Date: 2019.10.21			

Guangdong Dapu Telecom Technology Co.,Ltd

Bldg16,.N.Ind.Zone,SSL Industry Park, Dongguan City, Guangdong Province, China

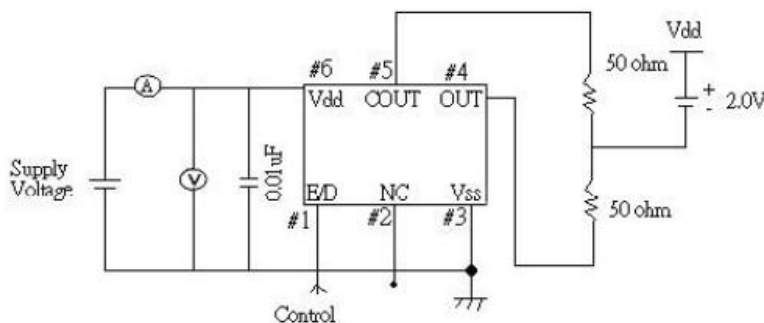
TEL: 0086-0769-88010888 FAX: 0086-0769-81800098



、 Electrical Parameters

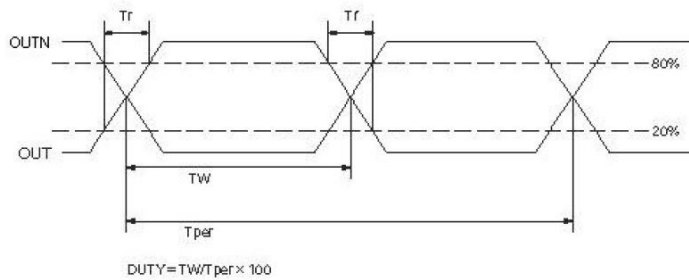
MODEL: OSC224-C619-125.00MHz							
No.	Parameters	SYM.	Electrical Spec.				Notes
			Min.	Typ.	Max.	Units	
1	Nominal Frequency	FL	125.00			MHz	
2	Output Waveform		LVPECL				
3	Supply Voltage		3.135	3.3	3.465	V	
4	Frequency Stability	F-stab	-50		+50	$\times 10^{-6}$	Inclusive of initial tolerance, operating temperature, rated power supply voltage, and load variations
5	Operating Temperature	T-opr	-40	~	+85	°C	
6	Storage Temperature	T-stg	-55	~	+125	°C	
7	Aging(year)		-3		+3	$\times 10^{-6}$	
8	Current Consumption	I _{dd}	-		70	mA	
9	Output Load				50	Ω	VDD-2.0V
10	Rise/Fall Time	Tr、 Tf			1	ns	20%~80% output swing level
11	Duty Cycle	DC	45		55	%	
12	Output Voltage High	VOH	2.275			V	
13	Output Voltage Low	VOL			1.680	V	
17	Shock	Free Drop from 75cm height on a hard wood board for 3 time.					
	Vibration	10~55Hz 1.5mm p-p 1~2min/CICLE,X,Y,Z 2H for each plane					
	Aging	85°C \pm 3°C 720H(No BIAS)					
	High Humidity	40°C \pm 2°C X 90%-95% 96H(No BIAS)					
	Temperature Cycle	-40°C~85°C,30min X 10 Cycle					
	Solderability	MIL-STD-202,Method 208					

2、 Test Circuit

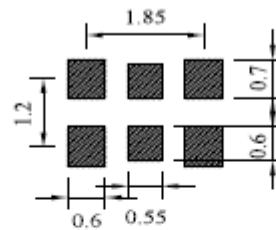
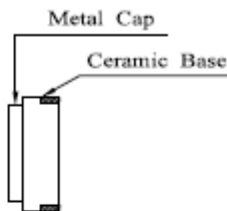
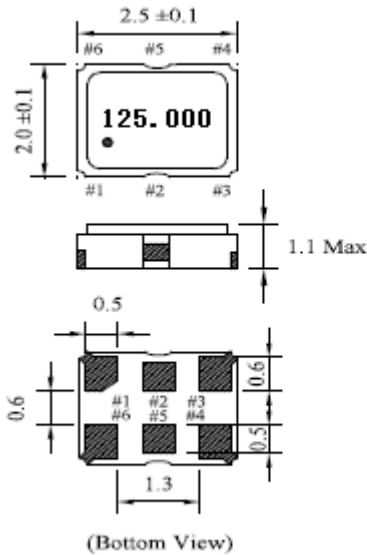




3、 Output Waveform



4、 Mechanical Structure(mm)

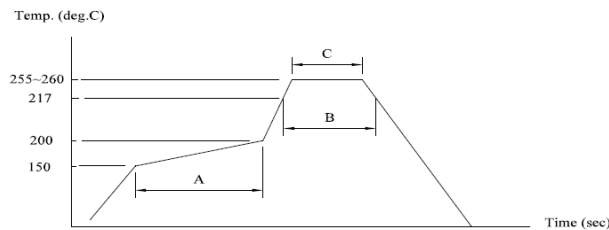


Pin Connections
 # 1 : INH
 # 2 : Nc
 # 3 : Gnd
 # 4 : Output
 # 5 : Complementary Output
 # 6 : Vdd

INH Function	
#1	#4 , #5(Output)
Open	Active
"H"Level	Active
"L"Level	High Z(Oscillation Stopped)

Note1: Tolerance ±0.2mm without mark

5、 Reflow Soldering Curve (RoHS)

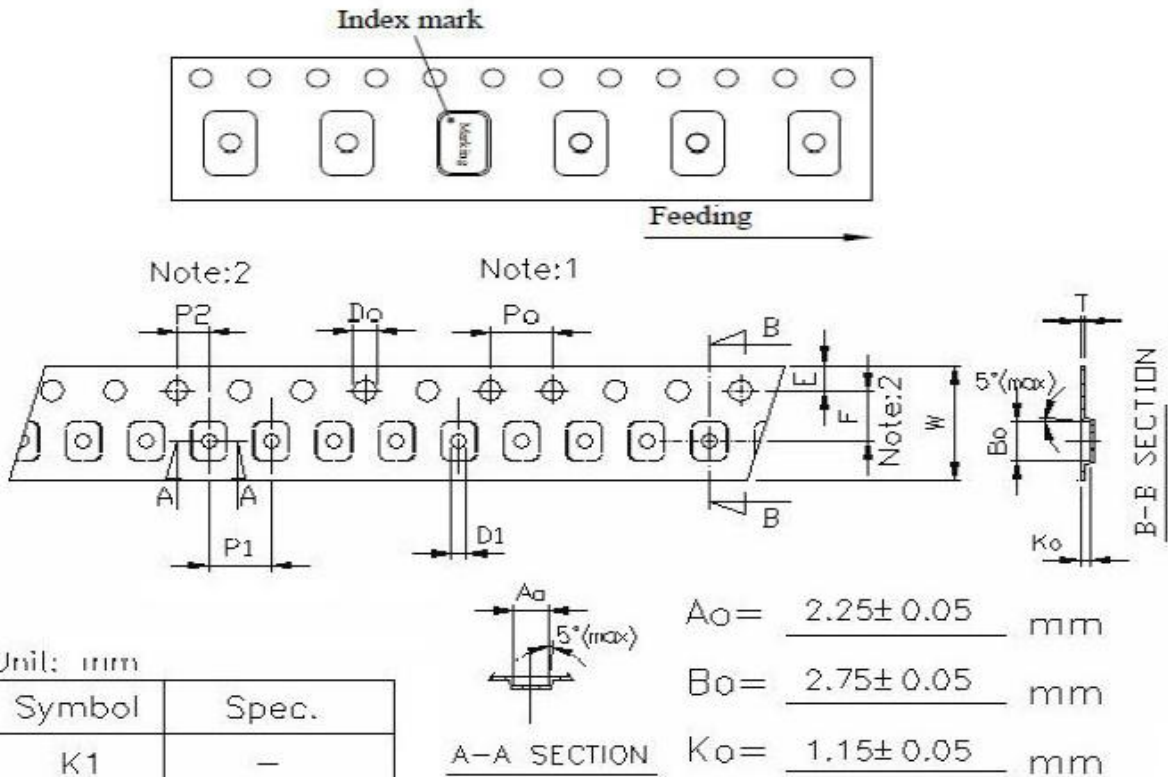


(A)→Preheating area : 150~200°C, 60~120sec.
 (B)→Heating area : 217°C, 60~150sec.
 (C)→Peak temperature : 255~260°C, 30sec. Max.
 Ramp-up rate (217→260°C) : 3°C/sec. Max.
 Ramp-down rate (260→217°C) : 6°C/sec. Max.
 Time 25°C→260°C : 480sec. Max.

*Reference JEDEC J-STD-020



6、 Package: Tape & Reel (mm)



Unit: mm

Symbol	Spec.
K1	-
Po	4.0±0.10
P1	4.0±0.10
P2	2.0±0.05
Do	1.55±0.05
D1	1.10±0.10
E	1.75±0.10
F	3.50±0.05
10Po	40.0±0.20
W	8.0±0.20
T	0.25±0.05

Notice:

- 1.10 Sprocket hole pitch cumulative tolerance is ±0.2mm
2. Pocket position relative to sprocket hole measured as true position of pocket not pocket hole.
3. A₀ & B₀ measured on a plane 0.3mm above the bottom of the pocket to top surface of the carrier.
4. K₀ measured from a plane on the inside bottom of the pocket to the top surface of the carrier.
5. Carrier camber shall be not than 1mm per 100mm through a length of 250mm.