

Travelling Merchant: _____

DATASHEET

Standard: DP7M32768001

| Plot | | | The Label |
|------------------|---------|----------|------------------------|
| Drew | Audited | Approved | Stamp, please! Thanks! |
| | | | |
| Date: 2019.01.07 | | | |

Guangdong Dapu Telecom Technology Co.,Ltd

Bldg13-16,.N.Ind.Zone,SSL Industry Park, Dongguan City, Guangdong Province, China

TEL: 0086-0769-88010888 FAX: 0086-0769-81800098

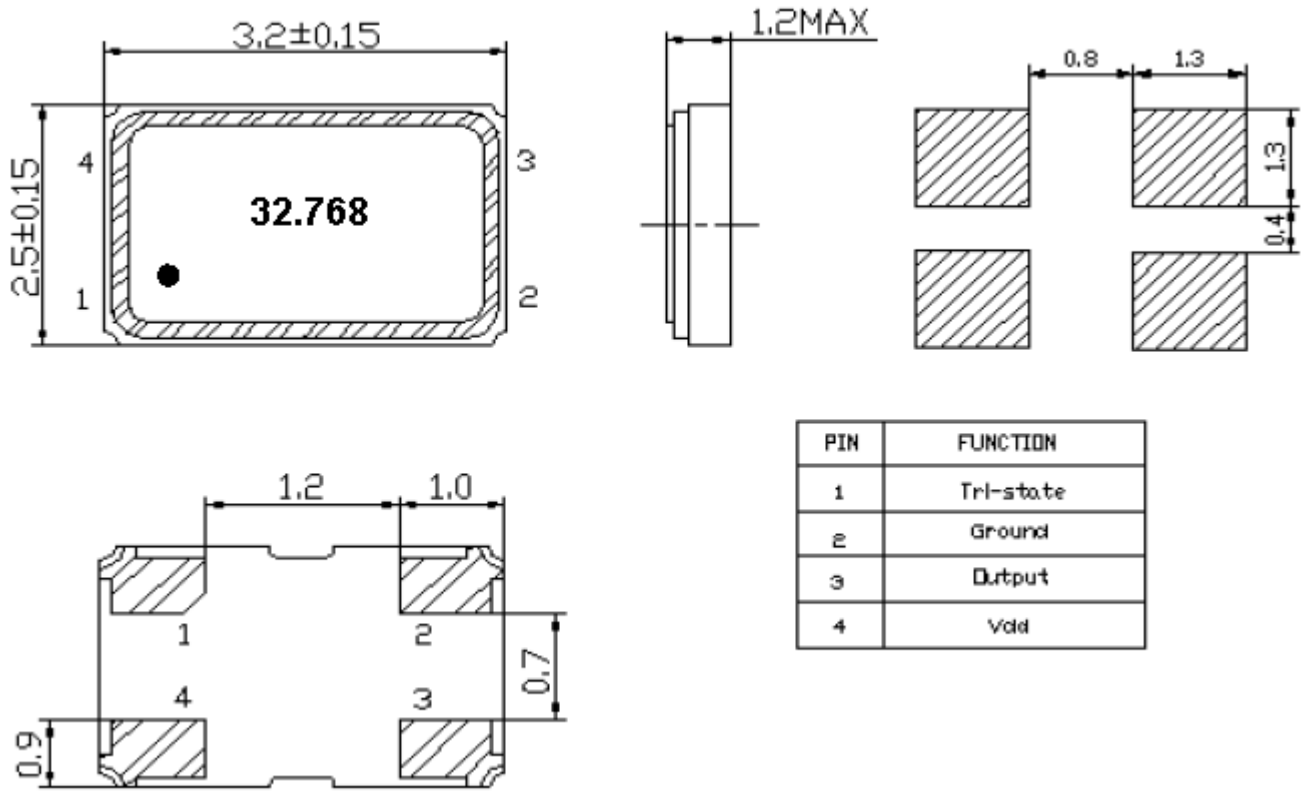


1、 Electrical Parameters

| MODEL: DP7M32768001 | | | | | | | |
|---------------------|--|------|------------------|------|---------|------------------|----------|
| No. | Parameters | SYM. | Electrical Spec. | | | | Notes |
| | | | Min. | Typ. | Max. | Units | |
| 1 | Nominal Frequency | FL | 32.768 | | | KHz | |
| 2 | Output | - | CMOS | | | - | |
| 3 | Output State Control | | Enable | | | | |
| 4 | Frequency Stability over operating temperature | - | -50 | | +50 | $\times 10^{-6}$ | |
| 5 | Duty Cycle | - | 45 | | 55 | % | |
| 6 | Operating Temperature Range | - | -40 | ~ | +85 | °C | |
| 7 | Input current | | | | 100 | uA | |
| 8 | Aging | - | -3 | | +3 | $\times 10^{-6}$ | Per Year |
| 9 | High Output Voltage | | 0.9Vdd | | | | |
| 10 | Low Output Voltage | | | | 0.1 Vdd | | |
| 11 | Rise/Fall Time | | | | 20 | nS | |
| 12 | Output Load Condition | | 15 | | | pF | |
| 13 | Oscillator Start Up Time | - | | - | 10 | ms | |
| 14 | Storage Temperature Range | - | -55 | ~ | +125 | °C | |
| 15 | Operating voltage | | 2.97 | 3.3 | 3.63 | V | |



2、Mechanical Structure(mm)



DAPU CORP.