

Customer Code : _____

DATASHEET

DAPU P/N: **DP8W2600002**

Plot			The Label
Drew	Audited	Approved	Stamp, please! Thanks!
Date: 2016.09.05			

Guangdong Dapu Telecom Technology Co.,Ltd

Bldg16,.N.Ind.Zone,SSL Industry Park, Dongguan City, Guangdong Province, China

TEL: 0086-0769-88010888 FAX: 0086-0769-81800098

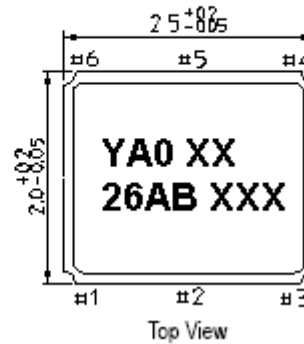
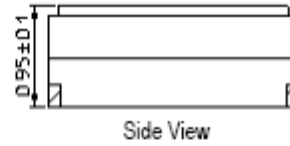
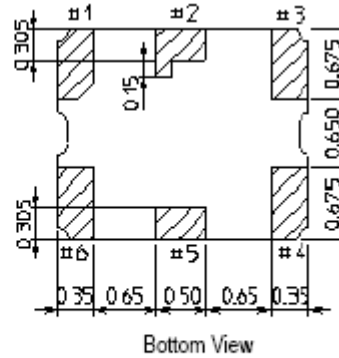
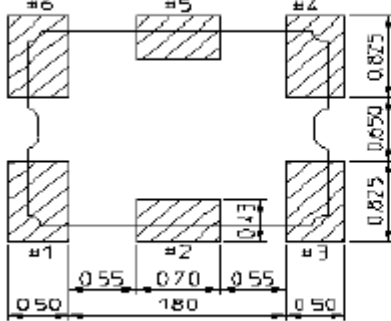


1、Electrical Parameters

MODEL: DP8W26000002								
No.	Parameters	SYM.	Electrical Spec.				Notes	
			Min.	Typ.	Max.	Units		
1	Nominal Frequency	FL	26.00			MHz		
2	Output Waveform		Clipped Sine					
3	Output Level		0.8			V _{P-P}		
4	Load Impedance	L _{OAD R}	9	10	11	KΩ		
		L _{OAD C}	9	10	11	pF		
5	Frequency Stability	vs Tolerance	-1.0		+1.0	× 10 ⁻⁶	@25°C	
		vs Temperature	-0.5		+0.5	× 10 ⁻⁶	Ta=-30~+85°C	
		Slope		-0.1		+0.1	× 10 ⁻⁶ /°C	Ta=-20~+70°C
				-0.2		+0.2	× 10 ⁻⁶ /°C	Ta=-30~-20°C
				-0.2		+0.2	× 10 ⁻⁶ /°C	Ta=+70~+85°C
		vs Supply voltage		-0.2		+0.2	× 10 ⁻⁶	+1.7~+3.3V,@25°C
		vs Load		-0.2		+0.2	× 10 ⁻⁶	L _{oad} .R//C=(10 KΩ//10 pF) ± 10%
		Vs Reflow soldering		-1.0		+1.0	× 10 ⁻⁶	2 times
Vs Aging		-1.0		+1.0	× 10 ⁻⁶	1 year		
6	Operating Temperature	Topr	-30	~	+85	°C		
7	Storage Temperature	Tstg	-40	~	+85	°C		
8	Supply Voltage	VCC	1.7		3.3	V		
9	Current Consumption	Icc	-	-	1.5	mA		
10	Start-up Time		-	-	2.0	ms	@90% of final V _{out} level	
11	Phase Noise	Phase Noise @25°C		-92		dBc/Hz	10Hz	
				-116			100Hz	
				-137			1kHz	
				-144			10kHz	
				-144			100kHz	



2、Mechanical Structure(mm)



Pad No.	Connection	
	TCXO	VC-TCXO
#1	GND	Vcont
#3	GND	GND
#4	Output	Output
#6	Vcc	Vcc
#2,#5	N.C.	N.C.

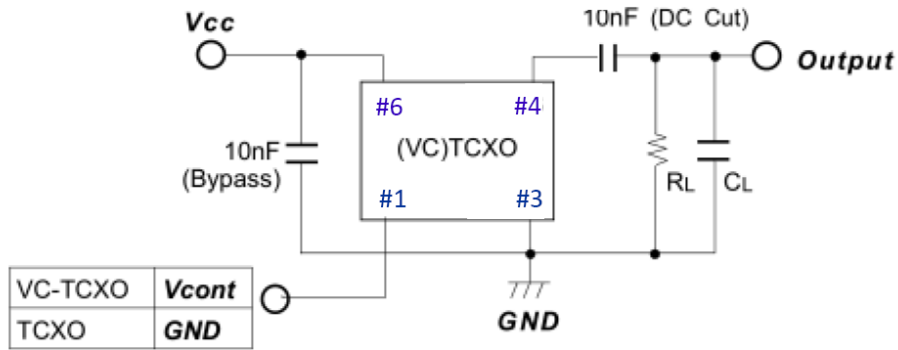
Unit: mm

Note1: The first row XX representative: Production distinguish

Note2: The second row XXX representative: year+Month+day



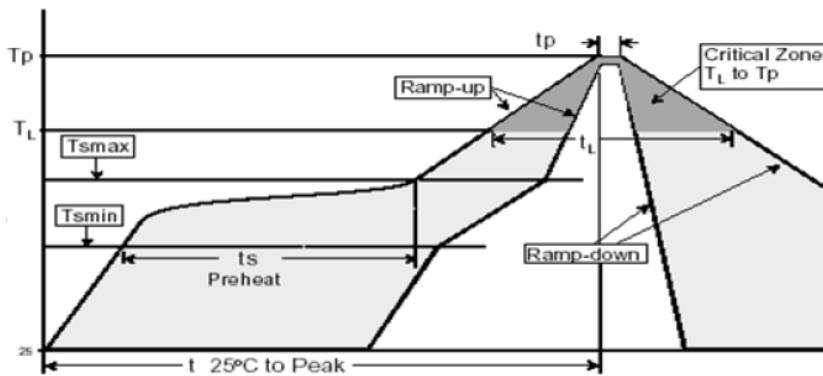
3、 Test Circuit



Notes:

- Please connect a bypass capacitor closely to Vcc Pad.
- Load capacitance (CL) includes probe and test board capacitance.

4、 Recommended Reflow Profile(RoHS)



1	Preheat(Ts,ts)	+160~+180°C, 120s max.
2	Soldering(TL,tL)	+220°C, 60s max.
3	Peak(Tp,tp)	+260°C, 10s max.
4	25°C to peak(t)	8min max.

5、 Package: Tape & Reel (mm)

