

Customer Code : _____

DATASHEET

DAPU P/N: **DP7W32768002**

Plot			The Label
Drew	Audited	Approved	Stamp, please! Thanks!
Date: 2019.07.17			

Guangdong Dapu Telecom Technology Co.,Ltd

Bldg16,.N.Ind.Zone,SSL Industry Park, Dongguan City, Guangdong Province, China

TEL: 0086-0769-88010888 FAX: 0086-0769-81800098



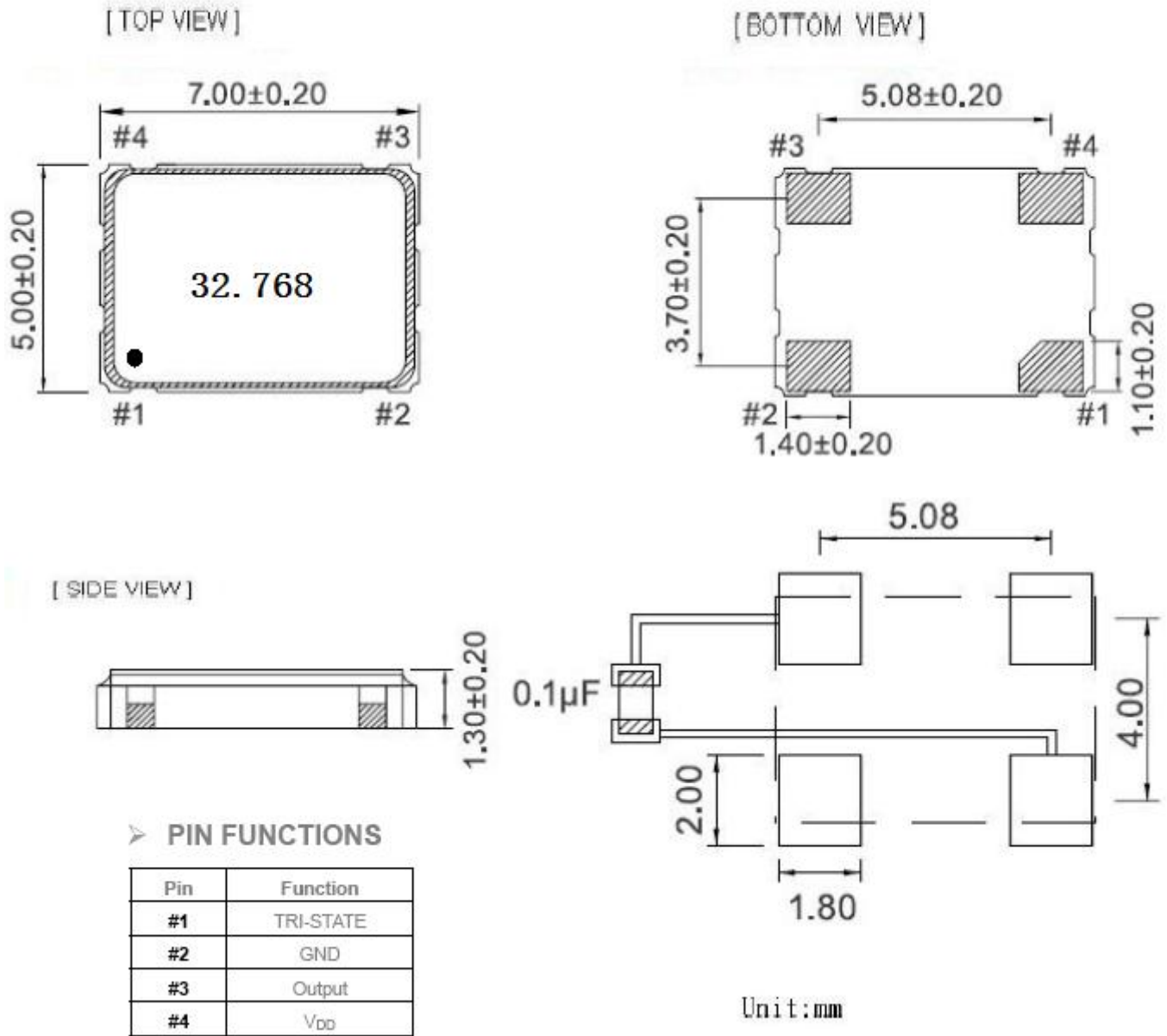
1、Electrical Parameters

MODEL: DP7W32768002							
No.	Parameters	SYM.	Electrical Spec.				Notes
			Min.	Typ.	Max.	Units	
1	Nominal Frequency	FL	32.7680			KHz	
2	Output Waveform		CMOS				
3	Frequency Stability	-	-50		+50	$\times 10^{-6}$	Frequency stability includes frequency tolerance@25°C and frequency stability vs. operating temperature range and voltage variance and first year aging.
4	Operating Temperature	Topr	-40	~	+85	°C	The operating temperature range over which the frequency stability is measured
5	Storage Temperature	Tstg	-55	~	+125	°C	
6	Supply Voltage	VDD	4.5	5	5.5	V	
7	Input Current	IDD	-	-	100	uA	At maximum supply voltage
8	Output Load	CL			15	pF	
9	Aging	-	-3	-	+3	$\times 10^{-6}/\text{yr.}$	1st. Year at 25°C
10	Duty Cycle	-	45		55	%	
11	Start Time				10	ms	
12	Rise Time	Tr	-	-	20	ns	
13	Fall Time	Tf	-	-	20	ns	
14	High output voltage		0.9			Vdd	Pin 1 Tri-state
15	Low output voltage				0.1	Vdd	
16	Output State Control		Enable				
17	Vibration Test	MIL-STD-883 2007 Condition A				10~2000Hz, 1.52mm, 20g, each axis for 4 hrs	
		JESD22-B103 Condition 1					
18	Thermal Shock	MIL-STD-883 1010 Condition B				-55°C, 125°C; soak time is 10 mins, with total 200 cycles	
		JESD22-A104 Condition B					



18	Mechanical Shock	MIL-STD-883 2002 Condition B	1500g half-sine, 0.5ms, each axis for 3 times.
		JESD22-B104 Condition B	

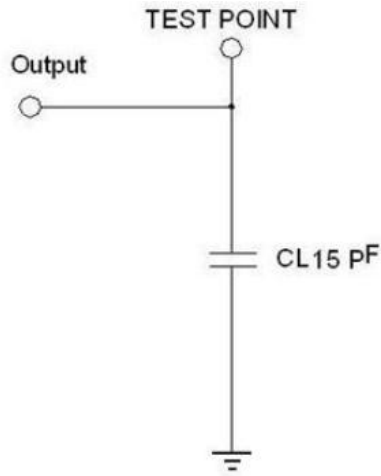
2、Mechanical Structure(mm)



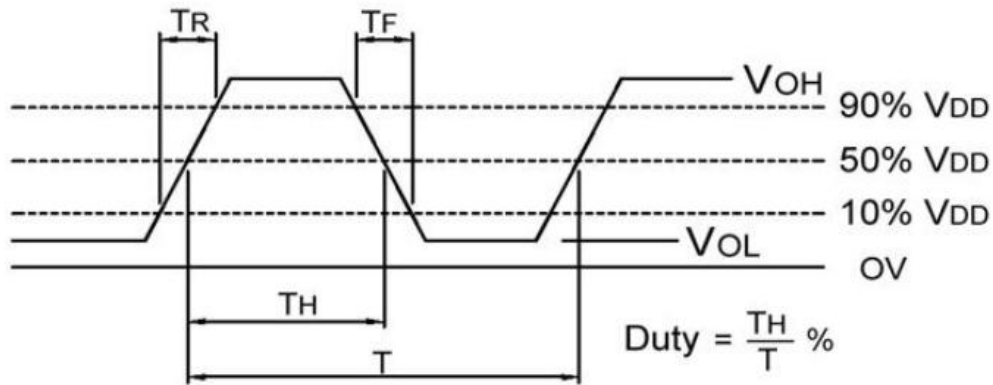
Note1: Tolerance ±0.20mm without mark



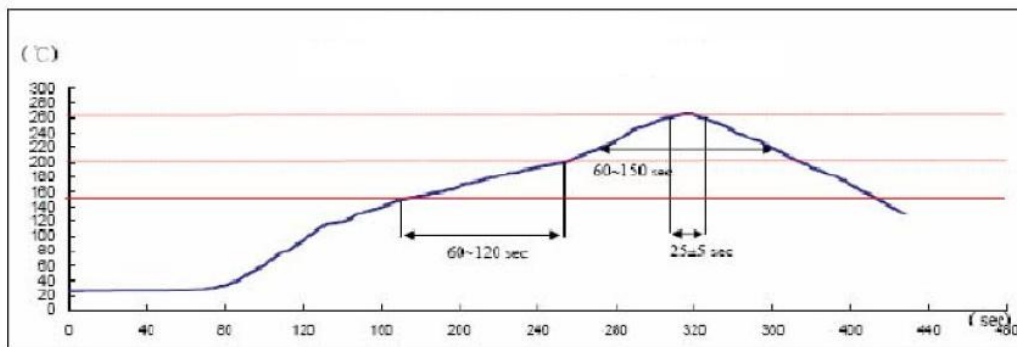
3、 Test Circuit



4、 Output Waveform(CMOS Load)



5、 Recommended Ir Reflow Profile



IR-Reflow Test

Reference Standard : JEDEC-STD 020

Test Conditions: Pre-heating : 150℃ to 200℃ , 60~120 sec

Heating : 217℃ , 60~150 sec

Peak Temperature : 260±5℃ , 25±5 sec



6、 Package: Tape & Reel (mm)

