

Travelling Merchant: _____

DATASHEET

Standard: DP7W1000011

Plot			The Label
Drew	Audited	Approved	Stamp, please! Thanks!
Date: 2019.01.14			

Guangdong Dapu Telecom Technology Co.,Ltd

Bldg13-16,.N.Ind.Zone,SSL Industry Park, Dongguan City, Guangdong Province, China

TEL: 0086-0769-88010888 FAX: 0086-0769-81800098



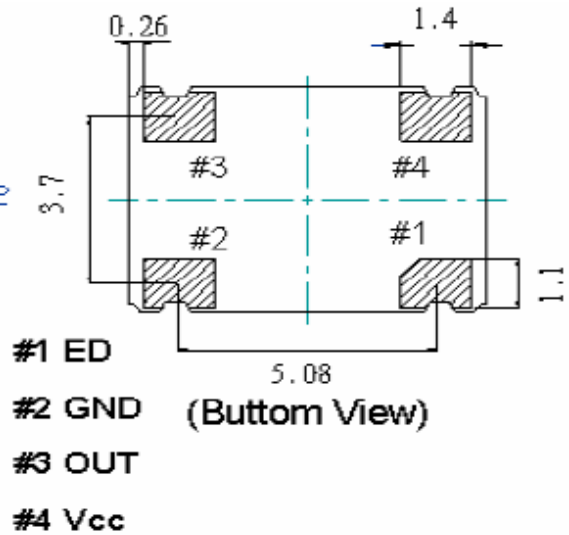
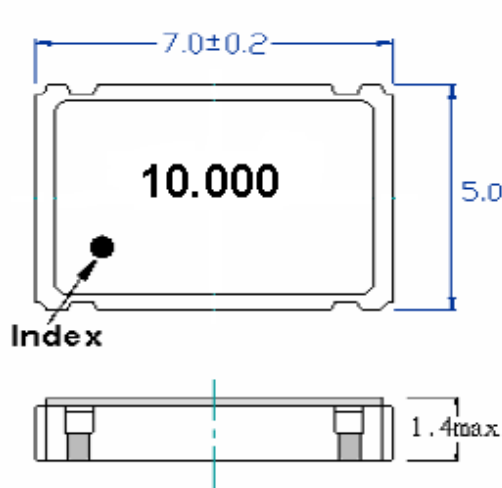
1. Electrical Parameters

MODEL: DP7W1000011							
No.	Parameters	SYM.	Electrical Spec.				Notes
			Min.	Typ.	Max.	Units	
1	Nominal Frequency	FL	10.00			MHz	
2	Oscillation Mode	-	Fundamental			-	
3	Frequency Tolerance	-	-20	-	+20	$\times 10^{-6}$	Inclusive of operating temperature range
4	Frequency Stability	-	-30	-	+30	$\times 10^{-6}$	(Supply voltage and load)
5	Operating Temperature Range	-	-20	~	+70	$^{\circ}\text{C}$	
6	Storage Temperature	-	-55	~	+125	$^{\circ}\text{C}$	
7	Aging	-	-3	~	+3	$\times 10^{-6}$ /Year	
8	E/D(PIN#1)		Enable				
9	Output driving ability	CL/CO	15			pF	
10	Start time		10			msec	
11	Supply Voltage	Vcc/V _{dd}	2.97	3.3	3.63	V	
12	Fan out type	LT	CMOS				
13	Current consumption	OI/I _{dd}			20	mA	
14	Symmetry	DT/SY	40		60	%	
15	Rise/Fall time	rf			10	ns	
16	Output Voltage Vol		0.33			V	
17	Output Voltage Voh				2.97	V	

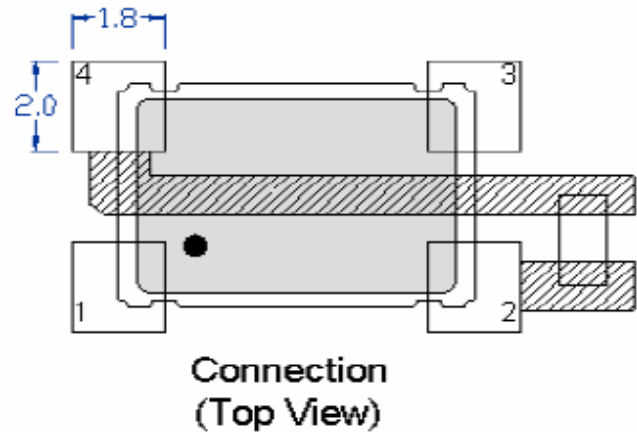
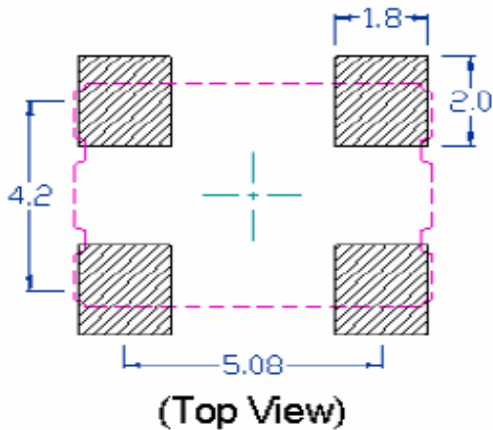


2. Mechanical Structure (mm)

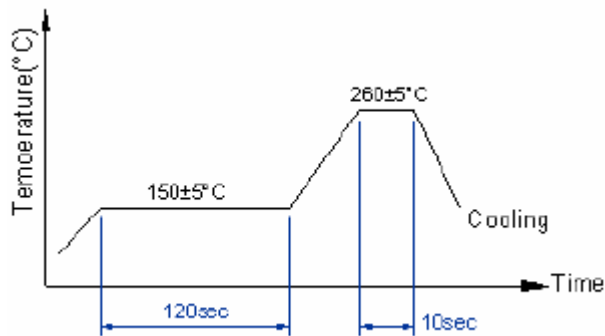
DIMENSIONS



■ Suggest Land Pattern



3. Suggested IR Reflow Profile



Total Time : 200 Sec.Max
Solder melting point : 185°C



4. Package

