

Travelling Merchant: _____

DATASHEET

Standard: **V756-D311-50.00MHz**

P/N: _____

Plot			The Label
Drew	Audited	Approved	Stamp, please! Thanks!
Date: 2018.11.06			

Guangdong Dapu Telecom Technology Co.,Ltd

Bldg13-16,.N.Ind.Zone,SSL Industry Park, Dongguan City, Guangdong Province, China

TEL: 0086-0769-88010888 FAX: 0086-0769-81800098



1. Electrical Parameters

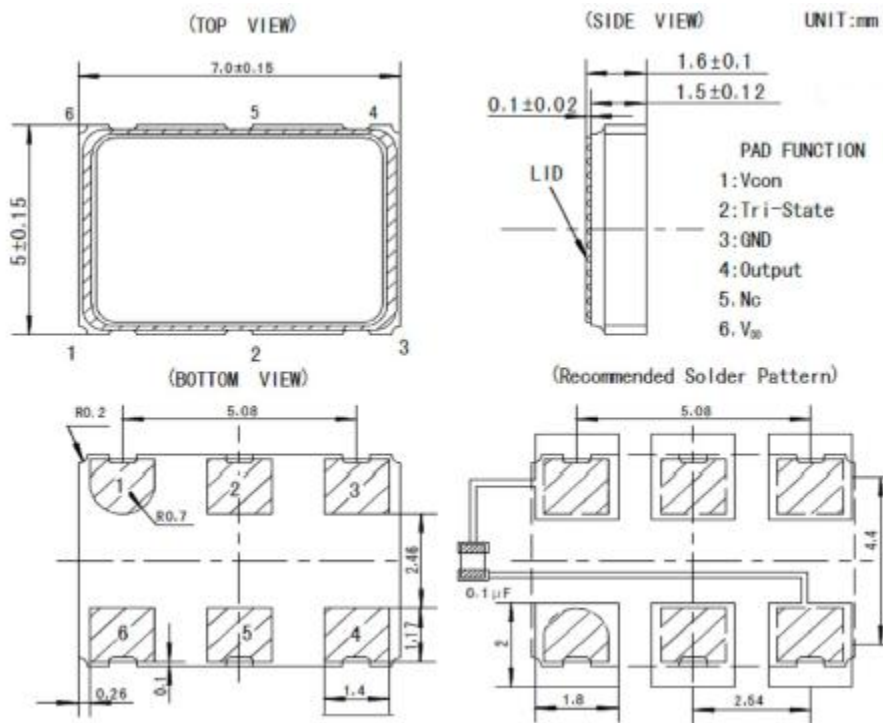
MODEL: V756-D311-50.00MHz						
Item	Description	Parameters			Unit	Test Condition
		Min.	Typ.	Max.		
Output	Frequency	50.00			MHz	
	Output Waveform	HCMOS				
	Output Low Voltage			0.1 V _{cc}	V	V _{cc} =3.3V, O _{load} =15 pF
	Output High Voltage	0.9 V _{cc}			V	V _{cc} =3.3V, O _{load} =15 pF
	Duty Cycle	45	-	55	%	@50%
	Rise / Fall Time (10%~90%)			5	ns	@25°C
	Load	15			pF	
	Start Time			1	ms	
	Phase Jitter			1	pS	
Frequency Stabilities	Frequency Tolerance vs. Operating Temperature Range	-15		+15	× 10 ⁻⁶	T _A varied from -40°C to 85°C, measurement referenced to frequency observed with T _A = 25°C, V _{cc} = 3.3V, V _c =1.65V, O _{load} = 15pF, temperature variable speed less than 2°C per minute.
	Frequency Tolerance at 25°C	+30		+50	× 10 ⁻⁶	Measurement referenced to frequency observed with T _A =25°C, V _{cc} =3.3V, V _c =1.65V within 30 days after ex-works.
	Aging Tolerance 1 Year	-3		+3	× 10 ⁻⁶	T _A =25°C, V _{cc} =3.3V, V _c =1.65V and after 1h of operation.
Power Supply	Current Consumption			12	mA	@25°C, V _{cc} =3.3V, V _c =1.65V, O _{load} =15pF.
	Supply Voltage	2.97	3.3	3.63	V	



Voltage Control Characteristics	Frequency Tuning Range			-100	$\times 10^{-6}$	$V_c=0V$. measurement referenced to $V_c=1.65V$
		+30		+50	$\times 10^{-6}$	$V_c=1.65V$. measurement referenced to exactly 50.00MHz
		+100			$\times 10^{-6}$	$V_c=3.3V$. measurement referenced to $V_c=1.65V$
	Linearity	-10		10	%	
	Slope	Positive				
	Input Impedance	2	5		$M\Omega$	
Phase Noise	Phase Noise			-135	dBc/Hz	1KHz
				-155		100KHz
Environmental Conditions	Operable Temperature	-40	+25	+85	$^{\circ}C$	
	Storage Temperature	-55		+125	$^{\circ}C$	



2. Mechanical Structure(mm)

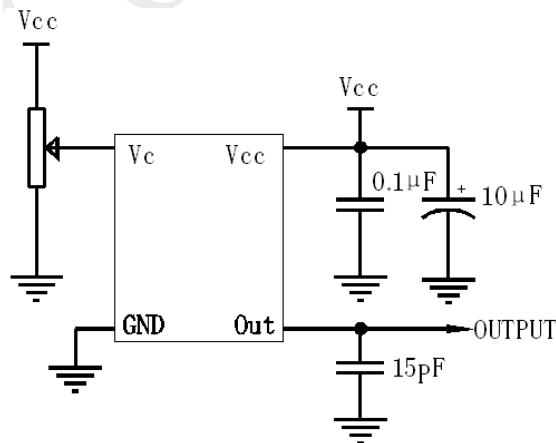


Note1: Tolerance ±0.1mm without mark

Note2: Referential Weight 0.2g

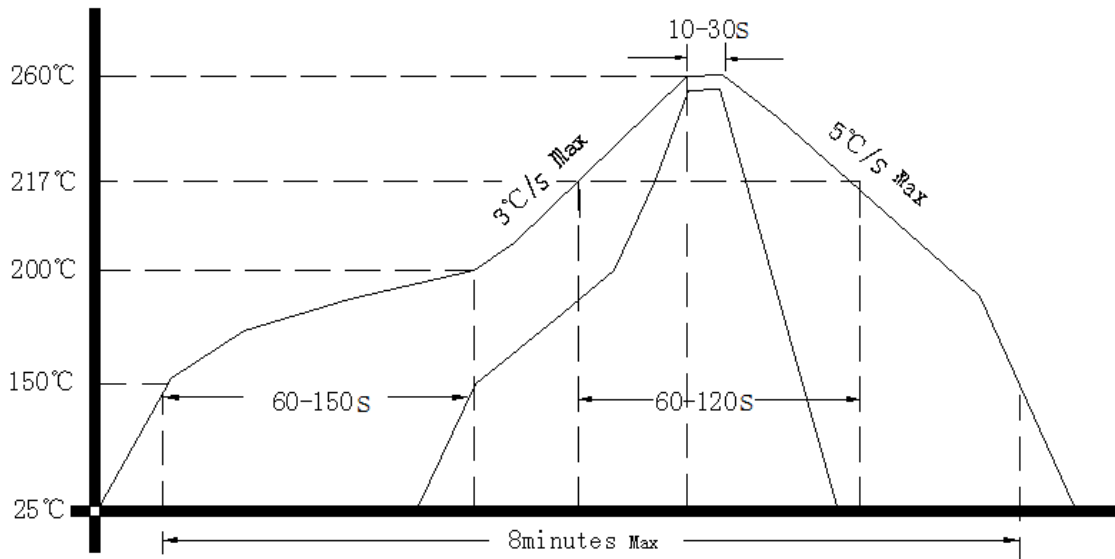
Note3: NC is not connect

3. Test circuit





4. Reflow Soldering Curve (RoHS)



5. Package: Tape & Reel (mm)

