

Travelling Merchant: _____

DATASHEET

Standard: DP7X7500002

Plot			The Label
Drew	Audited	Approved	Stamp, please! Thanks!
Date: 2018.05.02			

Guangdong Dapu Telecom Technology Co.,Ltd

Bldg13-16,.N.Ind.Zone,SSL Industry Park, Dongguan City, Guangdong Province, China

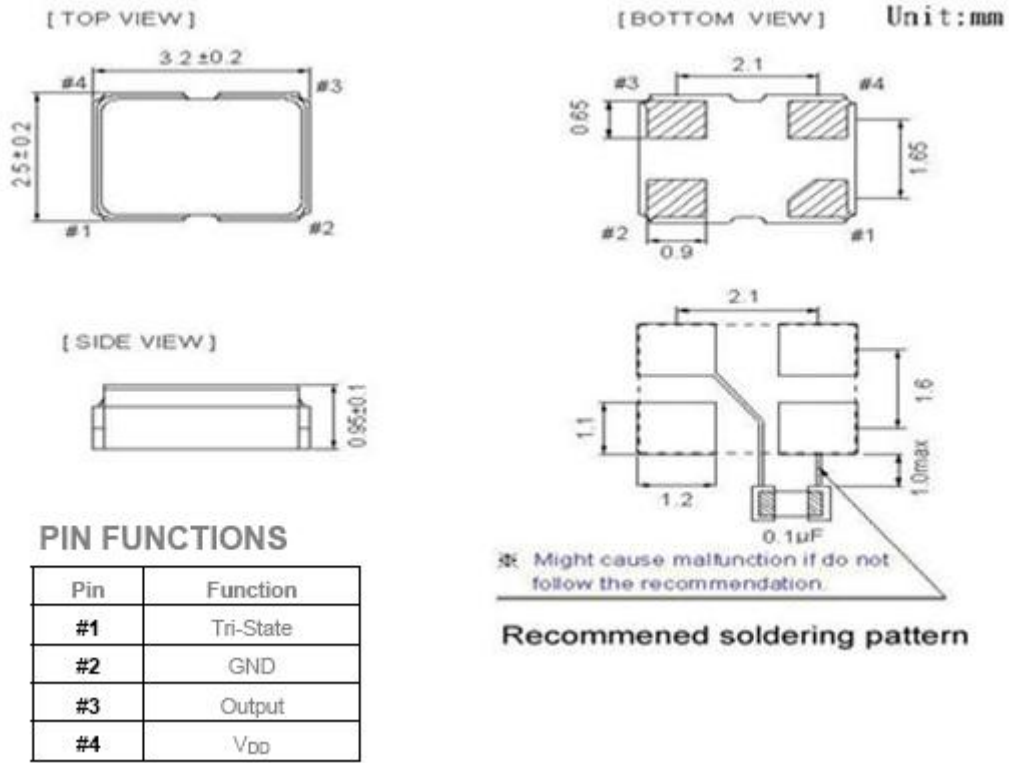
TEL: 0086-0769-88010888 FAX: 0086-0769-81800098

**1、 Electrical Parameters**

MODEL: DP7X75000002							
No	Parameters	SYM.	Electrical Spec.				Notes
			Min.	Typ.	Max.	Units	
1	Nominal Frequency	FL	75.00			MHz	
2	Output Waveform	-	CMOS				
3	Supply Voltage	Vcc	3.15		3.45	V	
4	Rise/Fall Time	-	-	-	5.0	nS	10%~90%
5	Output Load	-	15			pF	
6	Frequency Stability	-	-30	-	30	$\times 10^{-6}$	@25±℃
7		-	-50	-	+50	$\times 10^{-6}$	-40~85℃
8	Operating Temperature Range	-	-40	~	+85	℃	The operating temperature range over which the frequency stability is measured
9	Storage Temperature	-	-55	-	+125	℃	
10	Tri-state(Output Action)		0.7	-	-	V	Pin 1 Tri-state
11	Tri-state (Output in High-Impedance state)		-	-	0.3	V	
12	Current Consumption	-	-	-	5	mA	
13	Output Level Logic 1	Voh	90% vdd	-		V	
14	Output Level Logic 0	Vol			10%v dd	V	
15	Duty Cycle	-	40	50	55	%	
16	Start Time	-	-	-	3.0	mSec	
17	Aging	-	-3	-	+3	$\times 10^{-6}$	Frequency drift in first year
18	RMS Phase Jitter				0.3	pSec	12KHz-20MHz

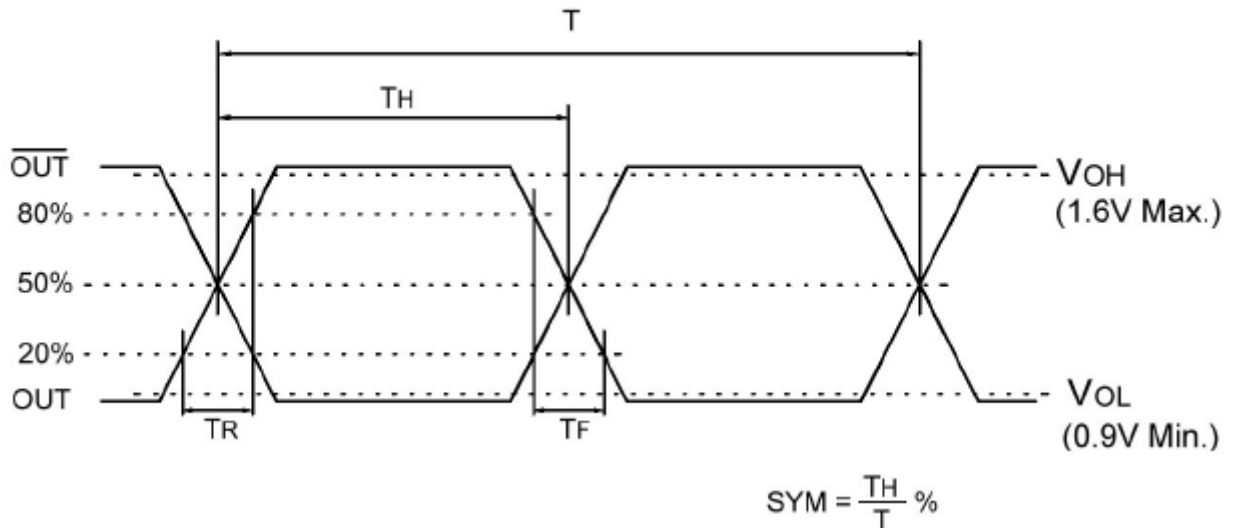


2、Mechanical Structure(mm)



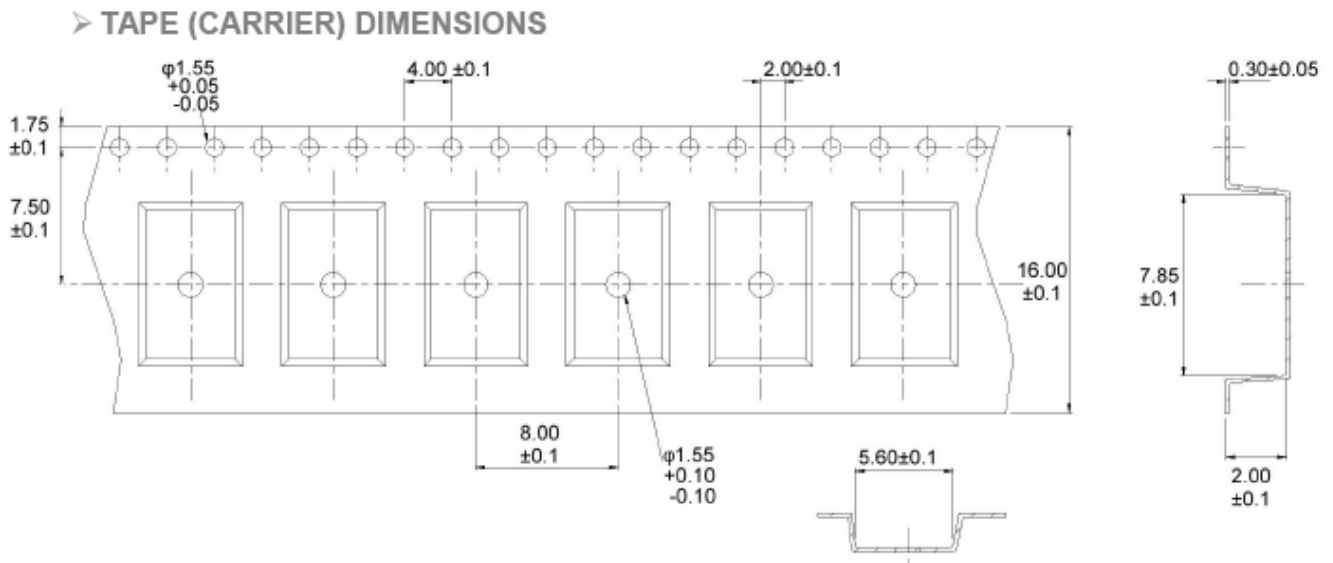
Note1: Tolerance ±0.2mm

3、Output waveform





4、 Package: Tape & Reel (mm)



DAPU Confidential