

Travelling Merchant: \_\_\_\_\_

# DATASHEET

Standard: DPAT40000001

Plot			The Label
Drew	Audited	Approved	Stamp, please! Thanks!
Date: 2018.08.07			

**Guangdong Dapu Telecom Technology Co.,Ltd**

Bldg13,.N.Ind.Zone,SSL Industry Park, Dongguan City, Guangdong Province, China

TEL: 0086-0769-88010888 FAX: 0086-0769-81800098

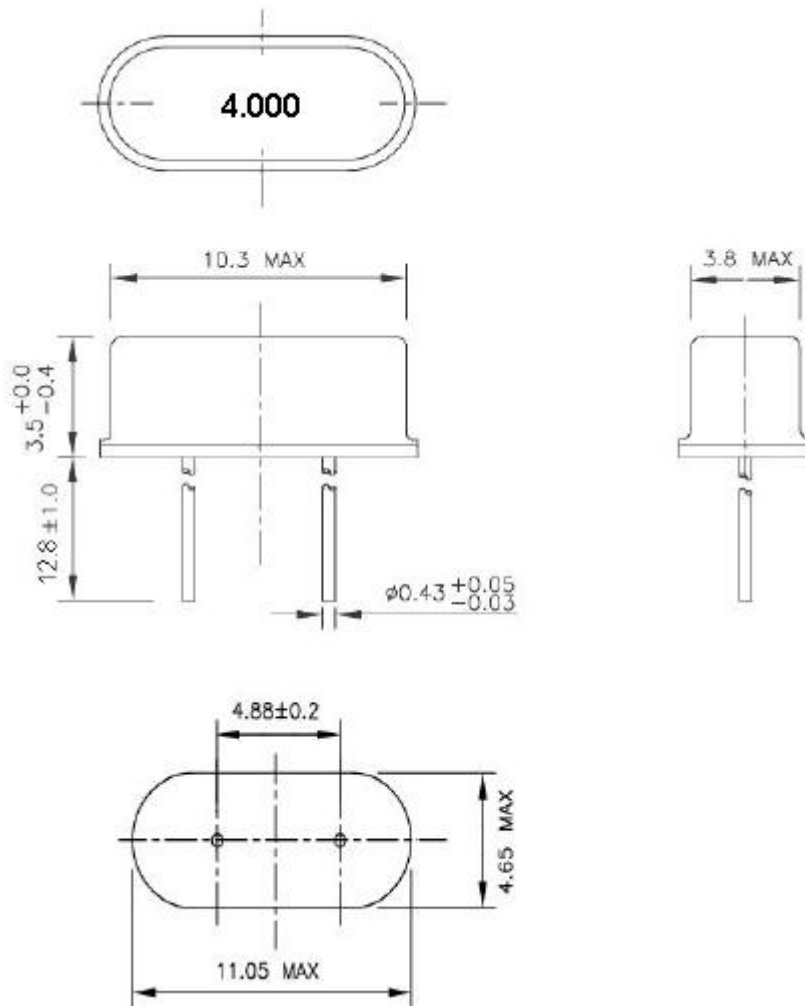


## 1、Electrical Parameters

MODEL: DPAT40000001							
No.	Parameters	SYM.	Electrical Spec.				Notes
			Min.	Typ.	Max.	Units	
1	Nominal Frequency	FL	4.00			MHz	
2	Oscillation Mode	-	Fundamental				
3	Load Capacitance	CL	20			pF	
4	Frequency Tolerance	dF/F0	-20	-	+20	ppm	at 25°C
5	Stability Over Temperature Range	dF/F25	-30		+30	ppm	@-40~85°C
6	Operating Temperature Range		-20	~	+70	°C	
7	Aging	dF/F25	-3		+3	ppm	Per Year
8	Drive Level	DL	0.1		100	uW	
9	Shunt Capacitance	C0		-	7	pF	
10	Storage Temperature	-	-40	~	+85	°C	
11	Equivalent Series Resistance	ESR			120	Ω	@Series
12	Insulation Resistance	IR	500			MΩ	@DC 100 Volt
dF/Fo:Frequency Deviation Refer to Center Frequency							
dF/F25:Frequency Deviation Refer to 25°C Frequency							
13	Mechanical Shock	Device are shocked to half sine wave ( 1000 G ) three mutually perpendicular axes each 3 times(total 18shocks). 0.5m sec. duration time					MIL-STD-202
14	Vibration	Frequency range 10 ~ 2000 Hz Acceleration 5G Sweep time 20 minute perpendicular axes each test time 4 hours (Total test time 12 hours)					MIL-STD-202



## 2、Mechanical Structure(mm)



unit:mm



### 3、Package: Tape & Reel (mm)

