

Travelling Merchant: _____

DATASHEET

Standard: OS70506A-AEAN-155.52MHz

P/N: _____

Plot			The Label
Drew	Audited	Approved	Stamp, please! Thanks!
Date: 2013.04.15			

Guangdong Dapu Telecom Technology Co.,Ltd

Bldg13-16,.N.Ind.Zone,SSL Industry Park, Dongguan City, Guangdong Province, China

TEL: 0086-0769-88010888 FAX: 0086-0769-81800098



1. Electrical Parameters

MODEL: OS70506A-AEAN-155.52MHz						
Item	Description	Parameters			Unit	Test Condition
		Min.	Typ.	Max.		
Output	Frequency	155.52			MHz	
	Output Waveform	LVPECL				
	Output Low Voltage			1.68	V	@25°C, V _{cc} =3.3V
	Output High Voltage	2.27			V	@25°C, V _{cc} =3.3V
	Duty Cycle	45	50	55	%	@1.65V
	Rise / Fall Time (20%~80%)			0.5	ns	@20% ~80% of wave
	Load	47.5		52.5	Ω	V _{cc} -2V
	Jitter			5	ps	RMS @ 12 kHz ~ 20 MHz BW
Frequency Stabilities	Frequency Stability	-20		+20	×10 ⁻⁶	@ 0°C to +70°C
	Aging Tolerance 1 Year	-3		+3	×10 ⁻⁶	T _A =25°C ±5°C, V _{cc} =3.3V, and after 1h of operation.
Power Supply	Current Consumption			100	mA	@25°C, O _{Load} =50Ω Connect to V _{cc} -2.0V
	Supply Voltage	3.13	3.3	3.47	V	
	Start Time			10	ms	@ +3.135V

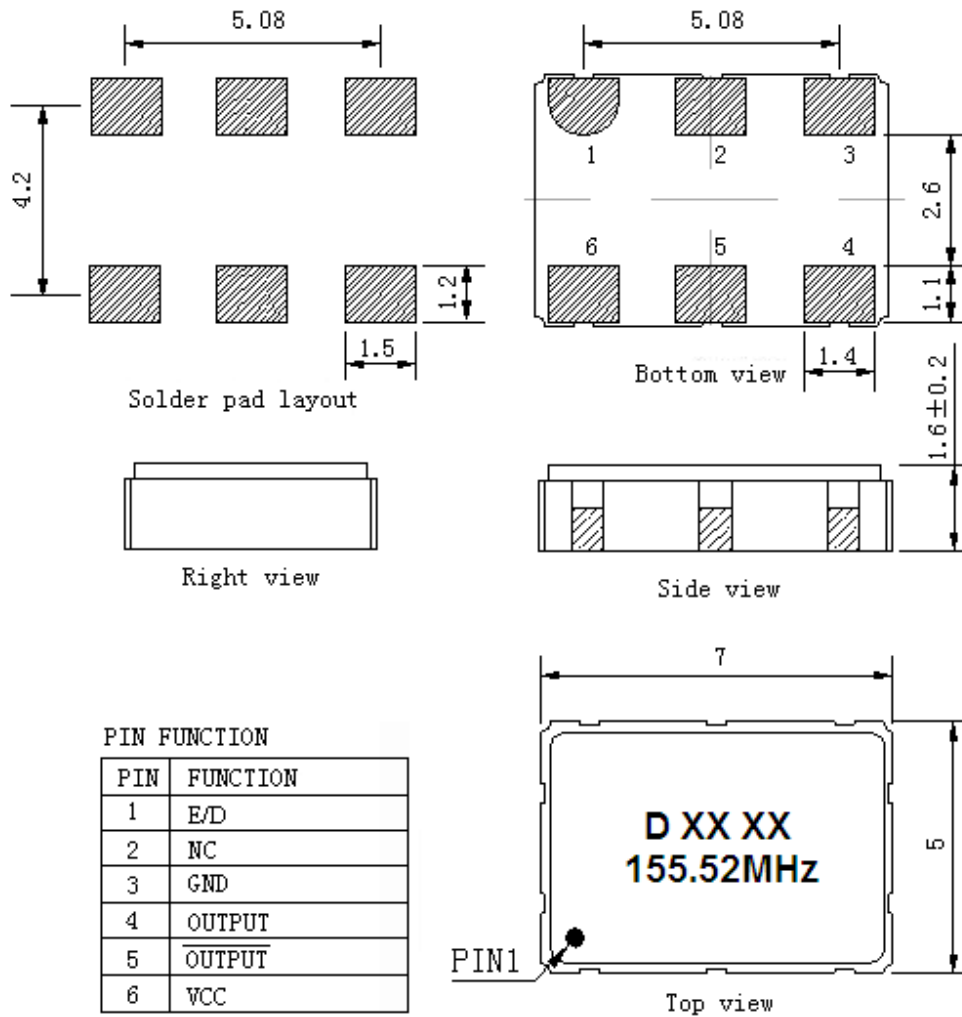


Environmental Conditions	Operable Temperature	0		+70	°C	
	Storage Temperature	-55		+105	°C	
	ESD Level	Human Body Model, class2: 2000V to 4000V; ANSI/ESDA/JEDEC JS-001-2010.				
		Machine Model, class B: 200V to 400V; ANSI/ESDA/JEDEC JS-001-2010.				
	Moisture Sensitivity Level	Level 2.				
	Vibration	Test Condition: 0.75mm ;acceleration:10g;10Hz~2000Hz, one cycle per 30 min, test 2 hour. (3 times for each 3 directions X ,Y , Z), IEC 68-2-06 Test Fc.				
Shock	100g; 6ms; half sine wave (3 times for each 3 directions X ,Y, Z),IEC 68-2-27 Test Ea/Severity 50A.					

DAPU Confidential



2. Mechanical Structure (mm)



PIN FUNCTION

PIN	FUNCTION
1	E/D
2	NC
3	GND
4	OUTPUT
5	$\overline{\text{OUTPUT}}$
6	VCC

Note1: Tolerance $\pm 0.1\text{mm}$ without mark

Note2: D representative: DAPU

The first two xx representative: year

After two xx representative: week

Note3: Referential Weight 0.2g

Note4: NC is not connect

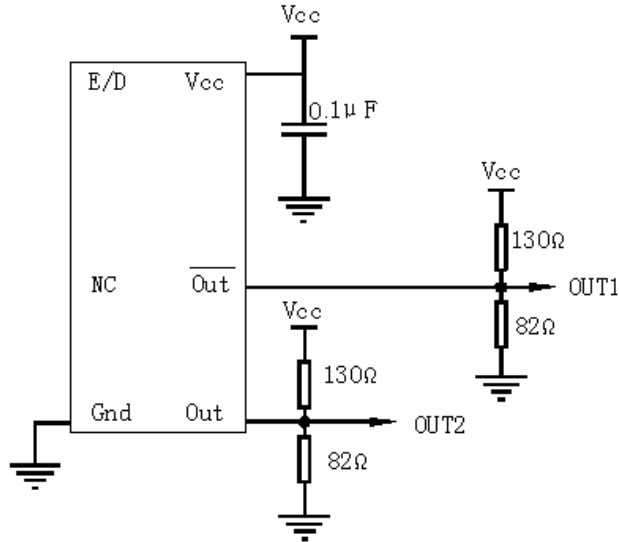
Note5: Enable: $2.97\text{V} \leq \text{Vih} \leq \text{Vcc}$

Disable: $\text{GND} \leq \text{Vil} \leq 0.33\text{V}$

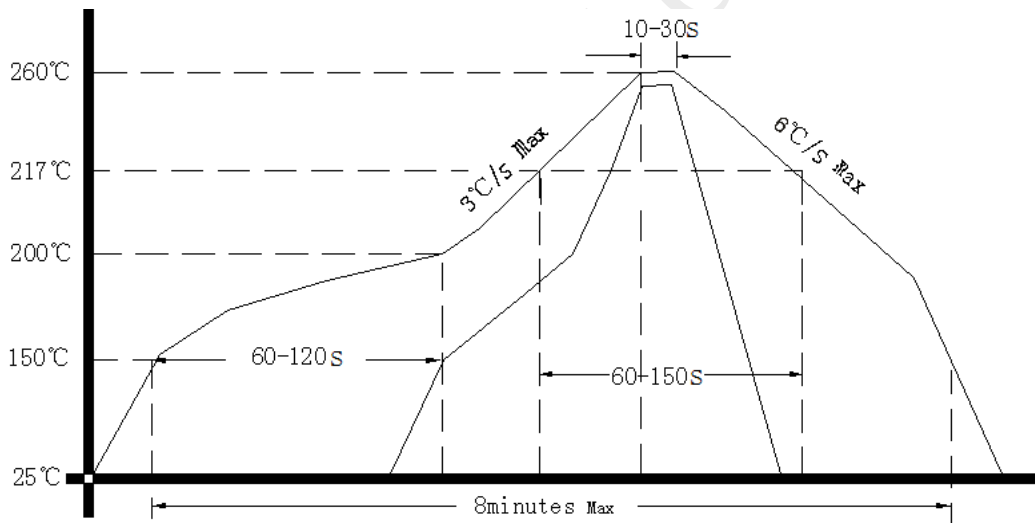
E/D	OUT1	OUT2
high level, open	data	data
low level	no data	no data



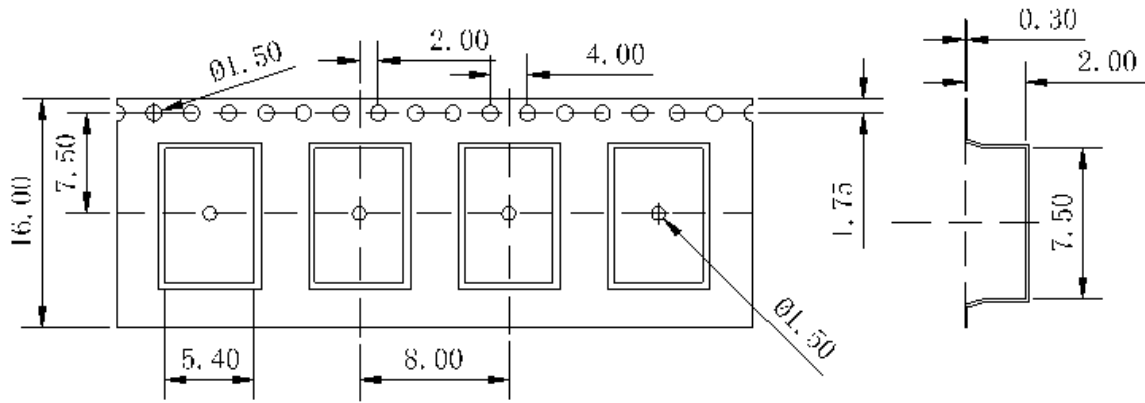
3. Test Circuit



4. Reflow Soldering Curve (RoHS)



5. Package: Tape & Reel (mm)



DAPU Confidential