

Customer Code : _____

DATASHEET

DAPU P/N: DP7X20480001

Plot			The Label
Drew	Audited	Approved	Stamp, please! Thanks!
Date: 2017.11.22			

Guangdong Dapu Telecom Technology Co.,Ltd

Bldg16,.N.Ind.Zone,SSL Industry Park, Dongguan City, Guangdong Province, China

TEL: 0086-0769-88010888 FAX: 0086-0769-81800098

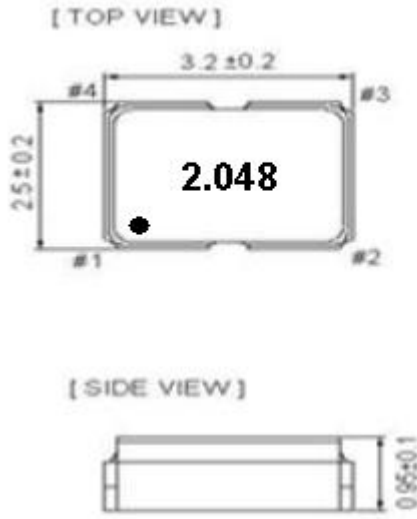


1、Electrical Parameters

MODEL: DP7X20480001							
No.	Parameters	SYM.	Electrical Spec.				Notes
			Min.	Typ.	Max.	Units	
1	Nominal Frequency	FL	2.048			MHz	
2	Output Waveform		CMOS				
3	Frequency Stability		-20		+20	$\times 10^{-6}$	@25°C
			-20		+20	$\times 10^{-6}$	-40~85°C
5	Operating Temperature	Topr	-40		+85	°C	
6	Storage Temperature	Tstg	-55		+125	°C	
7	Supply Voltage	VDD	3.15	3.3	3.45	V	
8	Current	Icc			5	mA	At maximum supply voltage
9	Output Load		15			pF	
10	Aging	-	-3	-	+3	$\times 10^{-6}/\text{yr}$.	1st. Year at 25°C
11	Output Voltage High	VoH	90%Vdd	-	-	V	
12	Output Voltage Low	Vol	-	-	10%Vdd	V	
13	Duty Cycle	-	45	50	55	%	
14	Rise Time	Tr	-	-	5.0	ns	
15	Fall Time	Tf	-	-	5.0	ns	
17	Start Time	Tosc	-	-	5.0	ms	
18	Output Active	VHI	0.7Vdd			V	Pin 1 Tri-state
19	Output in High-Impedance state	VLO			0.3Vdd	V	
22	Vibration Test	MIL-STD-883 2007 Condition A				10~2000Hz, 1.52mm, 20g, each axis for 4 hrs	
		JESD22-B103 Condition 1					
23	Thermal Shock	MIL-STD-883 1010 Condition B				-55°C, 125°C; soak time is 10 mins, with total 200 cycles	
		JESD22-A104 Condition B					
24	Mechanical Shock	MIL-STD-883 2002 Condition B				1500g half-sine, 0.5ms, each axis for 3 times.	
		JESD22-B104 Condition B					



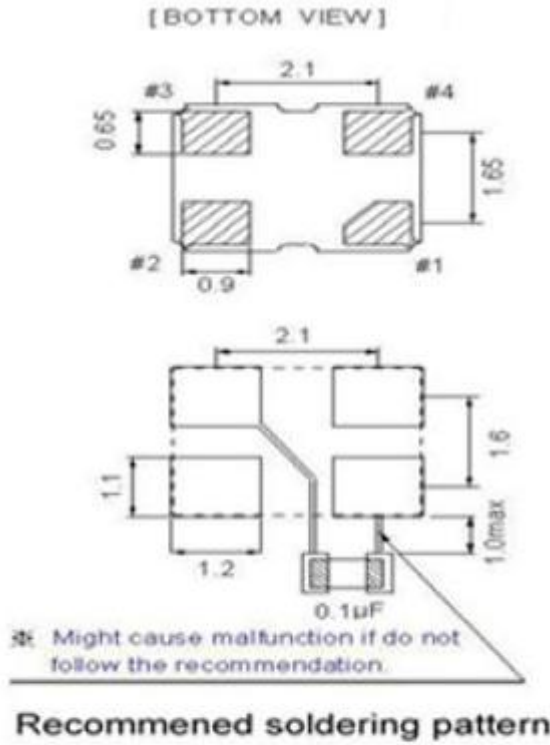
2、Mechanical Structure(mm)



PIN FUNCTIONS

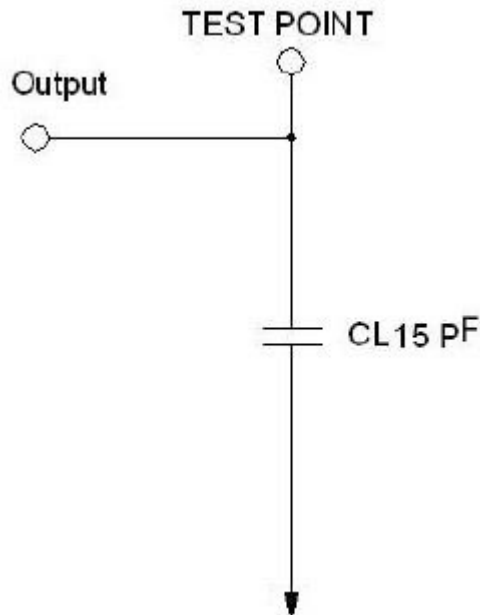
Pin	Function
#1	Tri-State
#2	GND
#3	Output
#4	V _{DD}

Note1:Tolerance ± 0.2 mm without mark

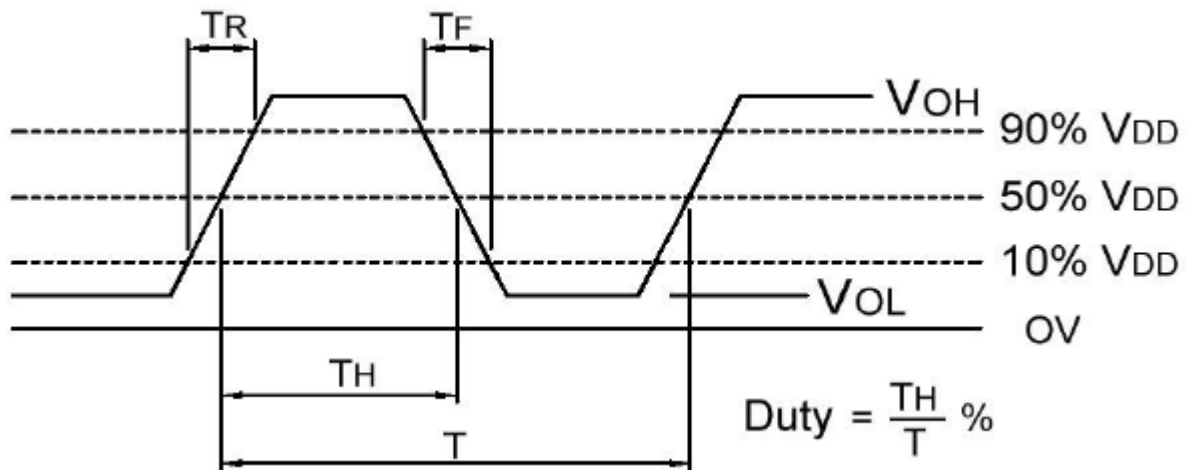




3、 Test Circuit

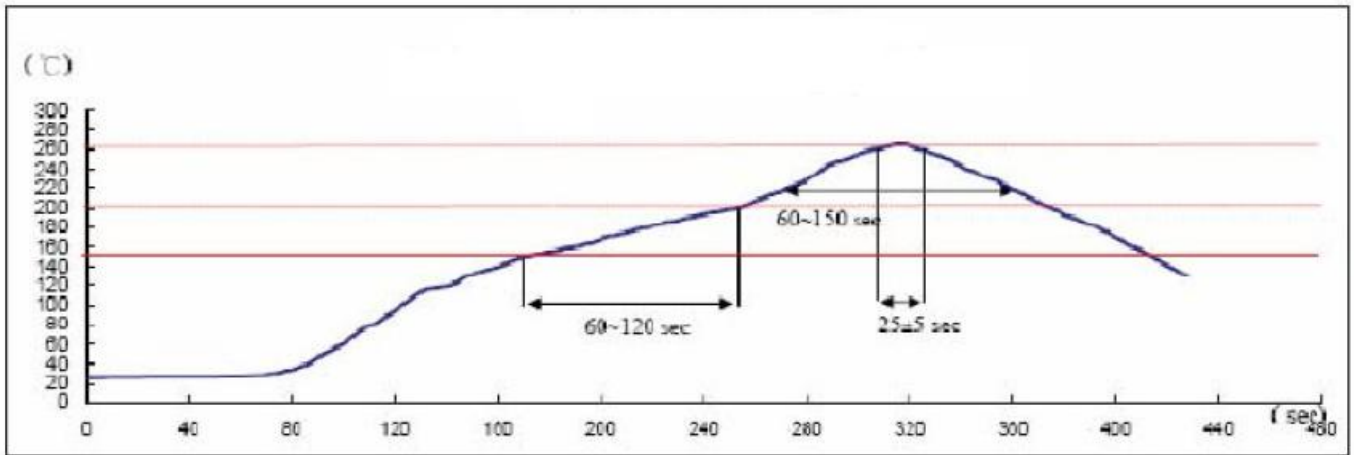


4、 Output Waveform(CMOS Load)





5、 Recommended Ir Reflow Profile



IR-Reflow Test

Reference Standard : JEDEC-STD 020

Test Conditions: Pre-heating : 150°C to 200 °C , 60~120 sec

Heating : 217 °C , 60~150 sec

Peak Temperature : 260±5 °C , 25±5 sec

6、 Package: Tape & Reel (mm)

