

Travelling Merchant: \_\_\_\_\_

# DATASHEET

Standard:           **V936-B611-224.00MHz**          

P/N: \_\_\_\_\_

Plot			The Label
Drew	Audited	Approved	Stamp, please! Thanks!
Date: 2013.09.17			

## Guangdong Dapu Telecom Technology Co.,Ltd

Bldg13-16,.N.Ind.Zone,SSL Industry Park, Dongguan City, Guangdong Province, China

TEL: 0086-0769-88010888 FAX: 0086-0769-81800098





## 1. Electrical Parameters

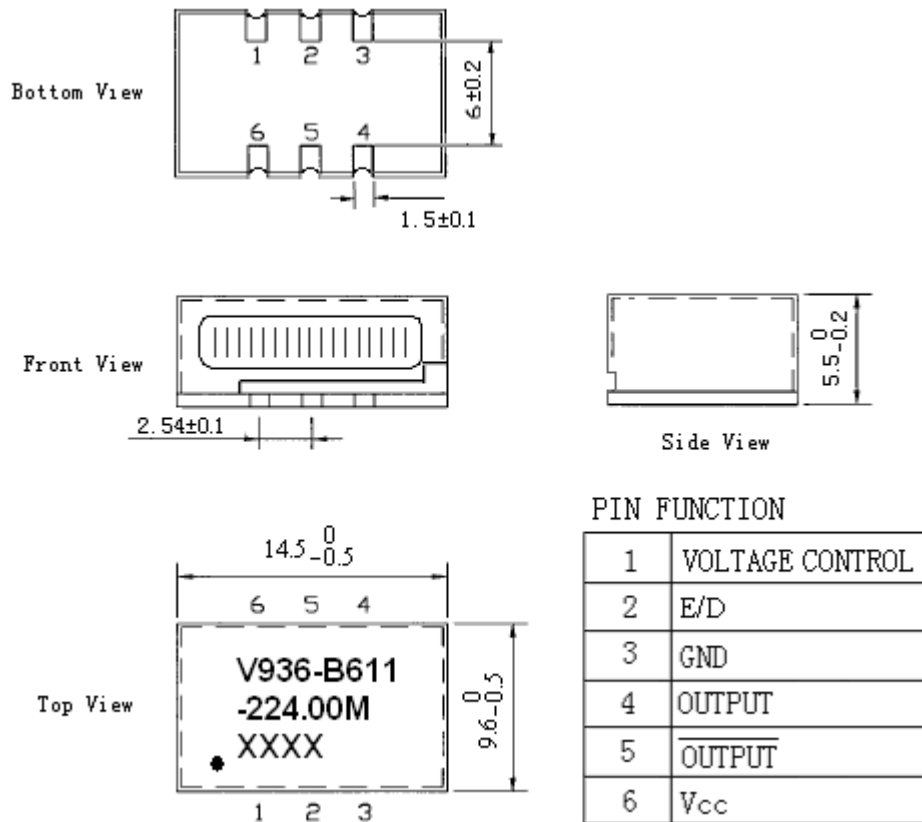
MODEL: V936-B611-224.00MHz						
Item	Description	Parameters			Unit	Test Condition
		Min.	Typ.	Max.		
Output	Frequency	224.00			MHz	
	Output Waveform	LVPECL				
	Output Low Voltage			1.68	V	@25°C, V <sub>cc</sub> =3.3V
	Output High Voltage	2.27			V	@25°C, V <sub>cc</sub> =3.3V
	Duty Cycle	45	50	55	%	@50%, measurement at V <sub>c</sub> =1.65V
	Rise / Fall Time (20%~80%)			1	ns	@25°C
	Load	50			Ω	Connect to V <sub>cc</sub> -2.0V
	Start-up Time			10	ms	
	Jitter			1	ps	RMS (12KHz ~20MHz)
Frequency Stabilities	Frequency Tolerance vs. Operating Temperature Range	-30		+30	ppm	T <sub>A</sub> varied from -40°C to 85°C, measurement referenced to frequency observed with T <sub>A</sub> = 25°C, V <sub>cc</sub> =3.3V, V <sub>c</sub> =1.65V, O <sub>load</sub> =50Ω Connect to V <sub>cc</sub> -2.0V.
	Initial Frequency Tolerance	-15		+15	ppm	Measurement referenced to frequency observed with T <sub>A</sub> = 25°C, V <sub>cc</sub> = 3.3V, V <sub>c</sub> =1.65V and after 5 minutes of operation, within 30 days after ex-works.
	Frequency Tolerance vs. Supply Voltage	-3		+3	ppm	measurement referenced to frequency observed T <sub>A</sub> =25°C, V <sub>cc</sub> varied from 3.13V to 3.47V, V <sub>C</sub> =1.65V and O <sub>Load</sub> =50Ω Connect to V <sub>cc</sub> -2.0V.
	Frequency Tolerance vs. Load	-1		+1	ppm	10% load change measurement referenced to frequency observed with T <sub>A</sub> =25°C, V <sub>cc</sub> =3.3V, V <sub>C</sub> =1.65V and O <sub>Load</sub> =50Ω Connect to V <sub>cc</sub> - 2.0V.
	Aging Tolerance 1 Year	-5		+5	ppm	T <sub>A</sub> =25°C, V <sub>cc</sub> =3.3V, V <sub>c</sub> =1.65V and after 1h of operation.
Power Supply	Current Consumption		80		mA	@25°C, O <sub>Load</sub> =50Ω Connect to V <sub>cc</sub> -2.0V
	Supply Voltage	3.13	3.3	3.47	V	



Voltage Control Characteristics	Frequency Tuning Range			-80	ppm	$V_c=0V$ . measurement referenced to $V_c=1.65V$
		-15		+15	ppm	$V_c=1.65V$ . measurement referenced to exactly 224.00MHz
		+80			ppm	$V_c=3.3V$ . measurement referenced to $V_c=1.65V$
	Linearity			15	%	
	Slope	Positive				
	Input Impedance	100				K $\Omega$
Phase Noise	Phase Noise			-55	dBc/Hz	10Hz
				-85		100Hz
				-105		1KHz
				-125		10KHz
				-135		100KHz
				-138		1M
Environmental Conditions	Operable Temperature	-40		+85	$^{\circ}C$	
	Storage Temperature	-55		+125	$^{\circ}C$	
	Vibration	Test Condition: 0.75mm ;acceleration:10g;10Hz~2000Hz, one cycle per 30 min, test 2 hour. (3 times for each 3 directions X ,Y , Z), IEC 68-2-06 Test Fc.				
	Shock	100g; 6ms; half sine wave (3 times for each 3 directions X ,Y , Z ),IEC 68-2-27 Test Ea/Severity 50A.				



## 2. Mechanical Structure (mm)



PIN FUNCTION

1	VOLTAGE CONTROL
2	E/D
3	GND
4	OUTPUT
5	$\overline{\text{OUTPUT}}$
6	Vcc

Note1: Play inversion between kikuchi map instructions:

- 1.The first two xx representative: week
- 2.After two xx representative: year

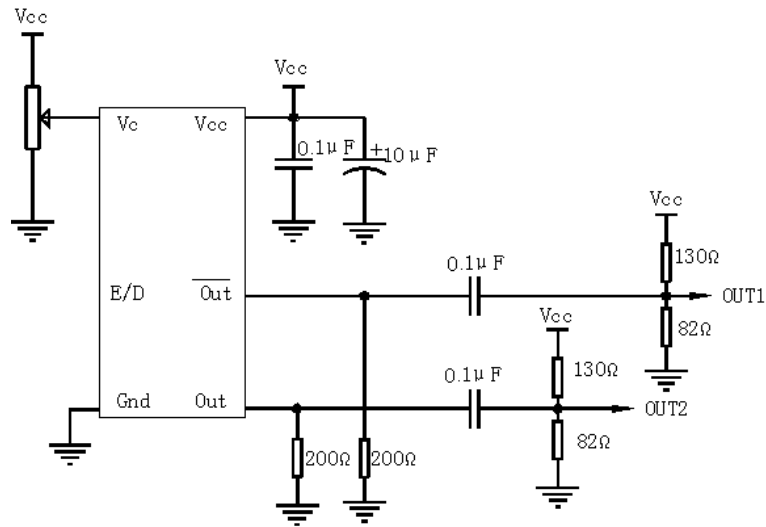
Note2: Referential Weight 1.4g

Note3: Enable/ Disable

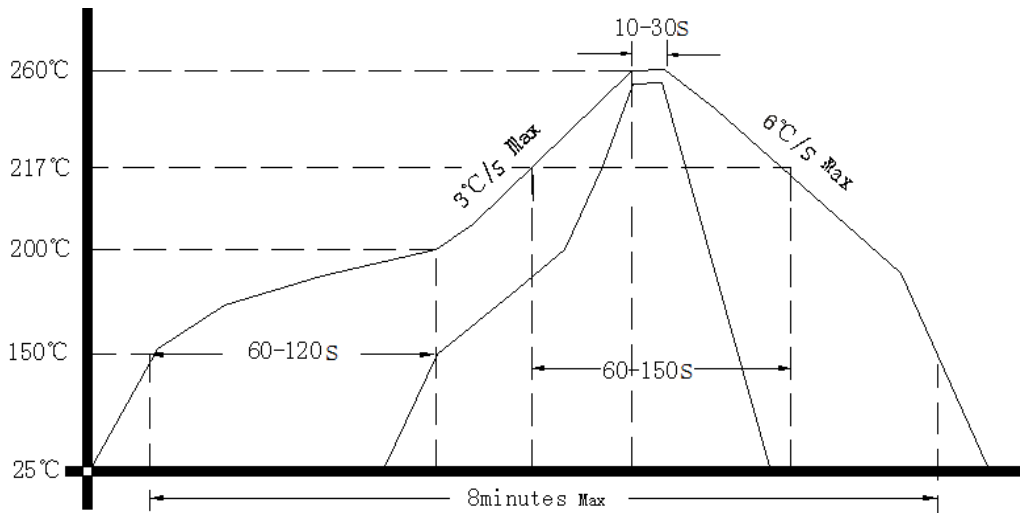
E/D	OUT1	OUT2
low level, open	data	data
high level	no data	no data



### 3. Test Circuit



### 4. Reflow Soldering Curve (RoHS)



### 6. Package: Tape & Reel (mm)

