

Customer Code: \_\_\_\_\_

# DATASHEET

DAPU P/N: OSC7050-12.80MHz

DAPU			Customer Approval
Drew	Audited	Approved	Stamp, please! Thanks!
Date: 2017.10.21			

## Guangdong Dapu Telecom Technology Co.,Ltd

Bldg 16,.N.Ind.Zone,SSL Industry Park, Dongguan City, Guangdong Province, China

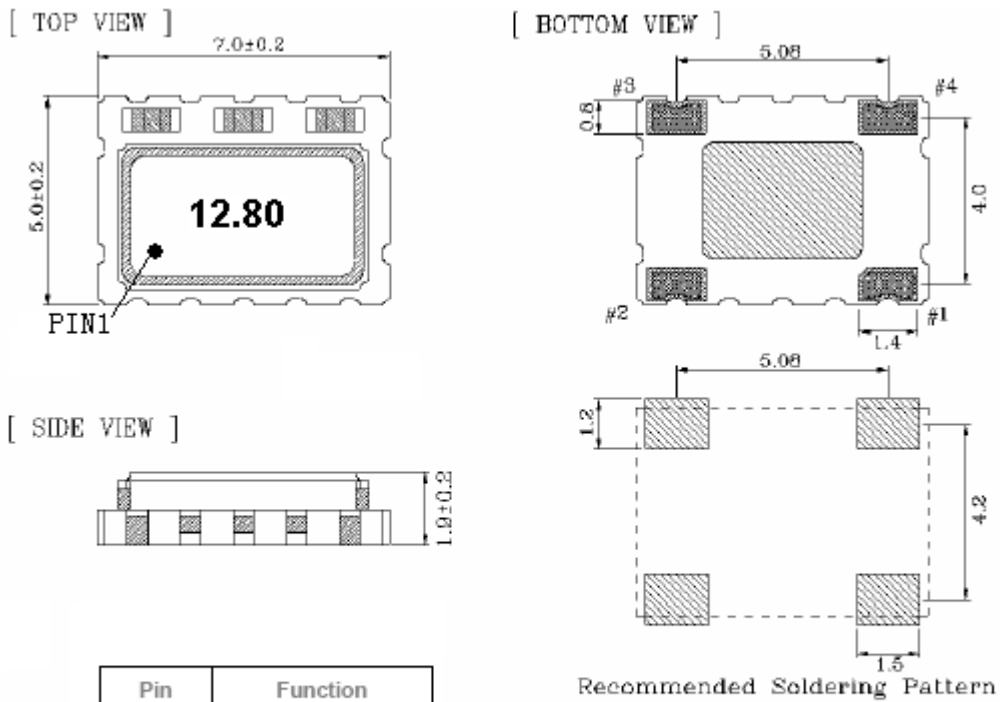
TEL: 0086-0769-88010888 FAX: 0086-0769-81800098

**1、 Electrical Parameters**

MODEL: OSC7050-12.80MHz							
No	Parameters	SYM.	Electrical Spec.				Notes
			Min.	Typ.	Max.	Units	
1	Nominal Frequency	FL	12.80			MHz	
2	Frequency Stability	-	-2		+2	$\times 10^{-6}$	-40°C~85°C
3	Nominal Frequency		-1		+1	$\times 10^{-6}$	Frequency at 25°C, 1hour after 2 times reflow
4	Supply Voltage Stability		-0.2		+0.2	$\times 10^{-6}$	Supply voltage varied $\pm 5\%$ at 25°C
5	Operating Temperature	Topr	-40	~	85	°C	
6	Storage Temperature	Tstg	-40	~	85	°C	
7	Supply Voltage	VDD	3.13	3.3	3.47	V	
8	Output Load: CMOS	CL	10 K $\Omega$ /10pF			-	Operating range
9	Output Voltage High	VoH	2.97	-		V	
10	Output Voltage Low	VoL		-	0.33	V	
11	Rise /Fall Time	Tf			6	ns	0.1Vdd ~0.9Vdd
12	Current				6	mA	At max supply voltage
13	Symmetry (Duty ratio)	TH/T	40	50	55	%	
14	Start-up time				2	ms	
15	Aging	-	-1		+1	$\times 10^{-6}$	Year at 25°C
16	Phase Noise	-			-130	dBc/Hz	100Hz
		-			-145	dBc/Hz	1KHz
		-			-154	dBc/Hz	10KHz

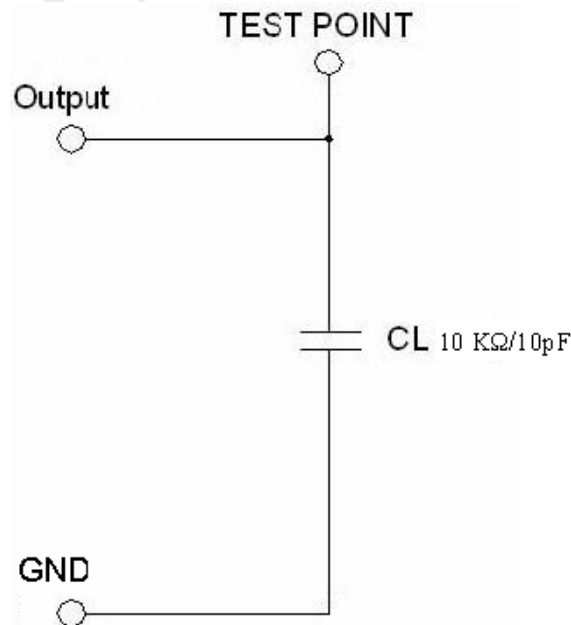


## 2、 Mechanical Structure(mm)



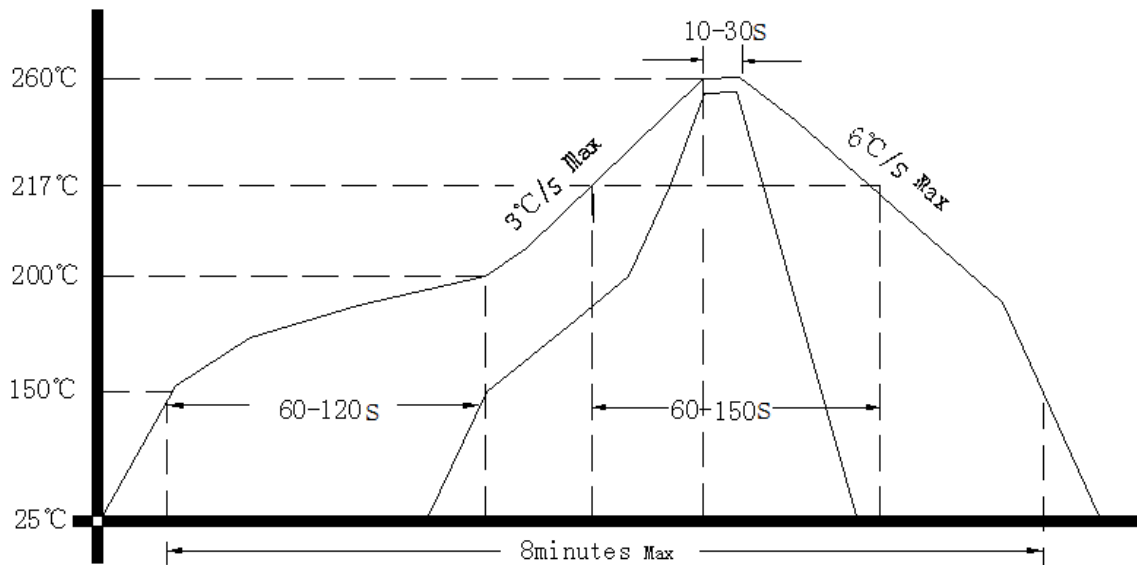
Note1: Tolerance ±0.20mm

## 3、 Test Circuit





#### 4、Reflow Soldering Curve (RoHS)

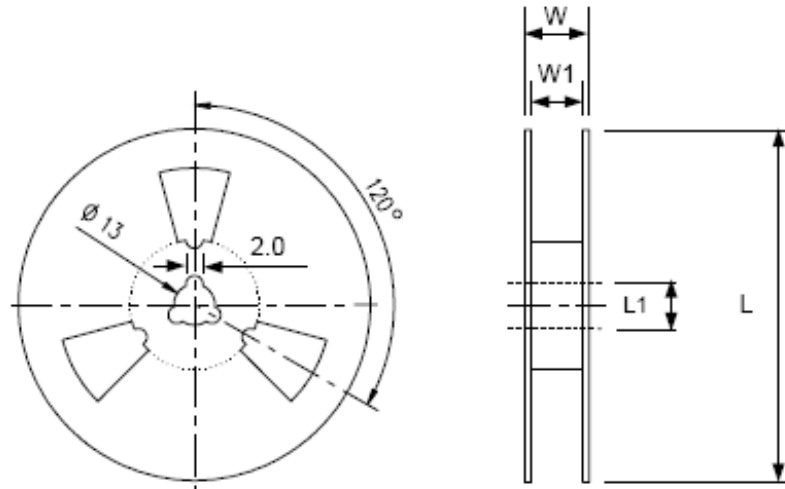
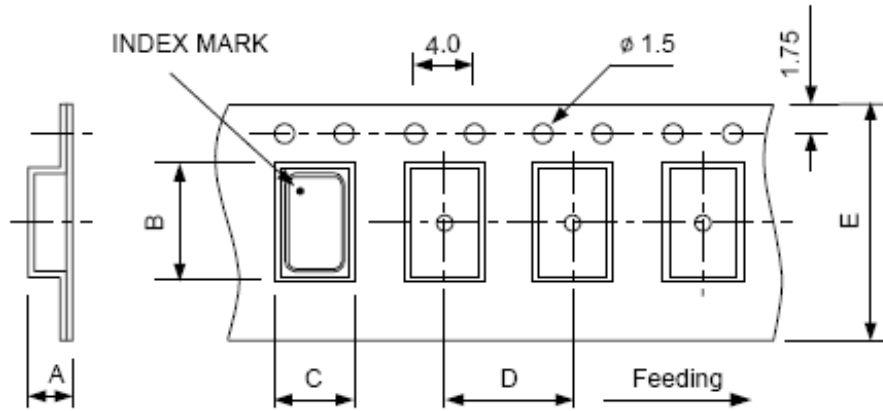


#### 5、Electrical Specifications

Item	Parameters	MIN	TYP	MAX	UNITS	Test Condition
1	Nominal Frequency		12.800		MHz	
2	Nominal Frequency	-1.0		+1.0	ppm	Frequency at 25 °C, 1 hour after 2 times reflow.
3	Frequency stability over temperature	-2.0		+2.0	ppm	Referenced to the frequency at 25°C.
4	Temperature range	-40		85	°C	The operating temperature range overwhich the frequency stability ismeasured
5	Supplyvoltage stability	-0.2		+0.2	ppm	Supply voltage varied ±5% at 25 °C
6	Aging	-1		+1	ppm	Year at 25 °C
7	Supply voltage	3.135	3.3	3.465	V	
8	Current			6	mA	At maximum supply voltage
9	Output waveform		CMOS			
10	Output voltage level high	2.97			V	
11	Output voltage level low			0.33	V	
12	Output load capacitance	10kΩ//10pF				Operating range
13	Duty cycle	45	50	55	%	Measured at 50% VDD trigger level
14	Rise and fall times			6	ns	CMOS logic output at 10% to 90%
15	Start time			2	ms	
16	Storage temperature	-40		85	°C	
17	PHASE NOISEParameter	100Hz offset		-130	dBc/Hz	
18		1KHz offset		-145	dBc/Hz	
19		10 KHz offset		-154	dBc/Hz	



### 6、 Package: Tape & Reel (mm)



DIMENSIONS		A	B	C	D	E	L	L1	W	W1	pcs / Reel
	7050	2.15	7.9	5.4	8	16	180	13	21.5	17.5	1K
	6035	1.4	6.4	3.9	8	12	180	13	15.4	13	1K
	5032	1.46	5.5	3.6	8	12	180	13	15.4	13	1K
	3225	1.4	3.4	2.7	4	8	180	13	11.5	8	3K
	2520	1.15	2.8	2.25	4	8	180	13	10.5	8	3K
	2016	0.95	2.25	2.25	4	8	180	13	10.5	9	3K
	1612	0.8	2.0	1.85	4	8	180	13	10.5	9	3K