

Customer Code : _____

DATASHEET

DAPU P/N 021G-W425-20.00MHz

Customer P/N: _____

DAPU			Customer Approval
Drew	Audited	Approved	Stamp, please! Thanks!
Date: 2017.04.26			

Guangdong Dapu Telecom Technology Co.,Ltd

Bldg 16,.N.Ind.Zone,SSL Industry Park, Dongguan City, Guangdong Province, China

TEL: 0086-0769-88010888 FAX: 0086-0769-81800098



1. Electrical Parameters

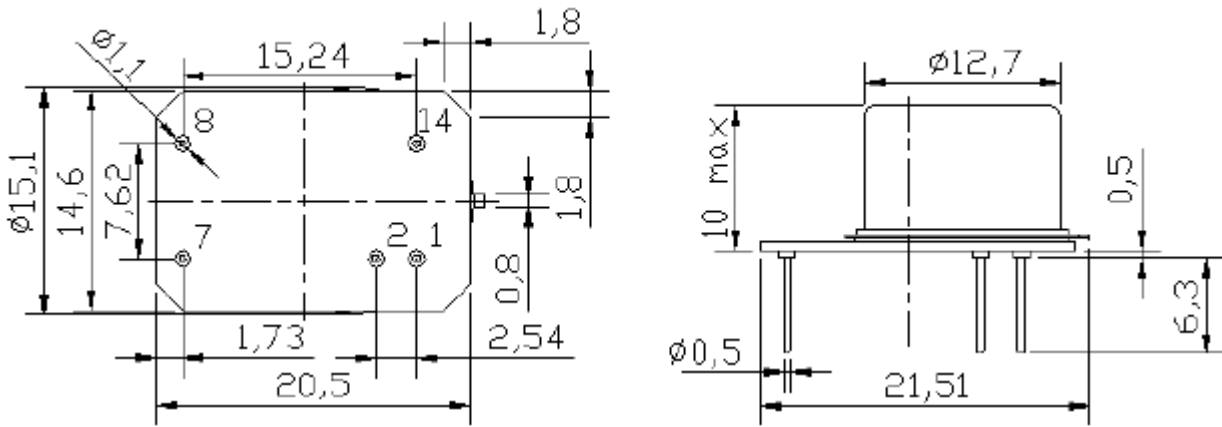
MODEL: O21G-W425-20.00MHz							
Item	Description	Parameters			Unit	Test Condition	
		Min.	Typ.	Max.			
Output	Frequency	20.00			MHz		
	Output Waveform	Sine wave					
	Level	+7			dBm		
	Harmonics Level			-25	dBc		
	Load	45	50	55	Ω		
Frequency Stabilities	Frequency Tolerance vs. Operating Temperature Range			± 0.05	$\times 10^{-6}$	ref 25°C.	
	Frequency Tolerance vs. supply voltage			± 2	$\times 10^{-9}$	Ref Vcc typ	
	Initial Tolerance	-0.1		+0.1	$\times 10^{-6}$	@25°C, Vc=Vco	
	Aging Tolerance per day			± 0.5	$\times 10^{-9}$	after 30 days of operation.	
	Aging Tolerance 1Year			± 0.05	$\times 10^{-6}$		
Power Supply	Supply Voltage	4.75	5.0	5.25	V		
	Continuous Consumption			50	mA	@25°C, Vcc=5.0V	
	Warm up current			220	mA	Vcc=5.0V	
	Warm-Up Time			90	s	@25°C, to $\Delta f/f = 0.1 \times 10^{-6}$	
	Reference Voltage	4.1	4.2	4.3	V		
Voltage Control Characteristics	Input Resistance		11		k Ω		
	Voltage Range	0		4.2	V		
	Preset Control Voltage	1.9	2.1	2.3	V		
	Tuning Range				-0.5	$\times 10^{-6}$	Vc=0V. measurement referenced to Vc=2.1V
			-0.2		+0.2	$\times 10^{-6}$	Vc=2.1V. measurement referenced to exactly 20.00MHz
			+0.5			$\times 10^{-6}$	Vc=4.2V. measurement referenced to Vc=2.1V
Slope	Positive						



Phase Noise	Phase Noise		-115		dBc/Hz	10Hz
			-145			100Hz
			-160			1KHz
			-165			10KHz
			-168			100KHz
Environmental Conditions	Power Voltage	-0.5 to 6.0V				
	Control Voltage	-1.0 to 9.0V				
	Operable Temperature	-55°C to +85°C				
	Storage Temperature	-60°C to +85°C				
	Humidity	Non-condensing 95%				
	Vibration	Per MIL-STD-202, 5G to 2000Hz				
	Shock	Per MIL-STD-202, 30G h, 11ms				
	Washing conditions	Washing with water or alcohol based detergent allowed only with final enough drying stage				
Soldering conditions	Hand solder only –not reflow compatible . 260°C 10s (on pins)					
Full Package Storage	Relative humidity (%)	20% ~70%				
	Temperature (°C)	-10~35°C				



2. Mechanical Structure (mm)



PIN FUNCTION

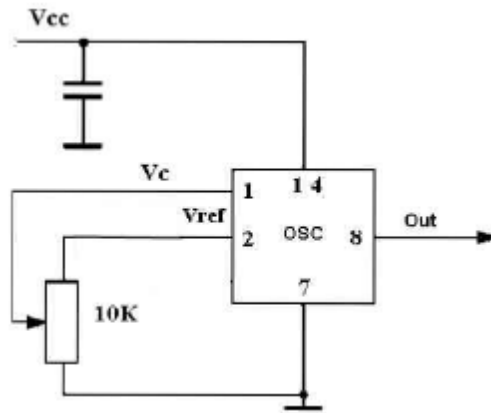
PIN	NOTATION	FUNCTION
1	VC	Control Voltage
2	VREF	Reference Output Voltage
7	GND	GND
8	OUTPUT	RF Output
14	VCC	Supply Voltage



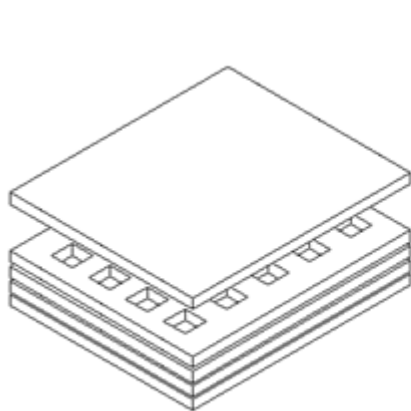
- Note1:** Tolerance $\pm 0.20\text{mm}$ without mark
Note2: The first two xx representative: week
 After two xx representative: year



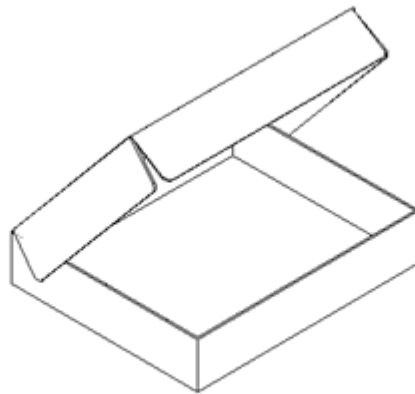
3. Test Circuit



4. Package(mm)



Buffer material



Cardboard
Max 20pcs. circulator

