

Customer Code : _____

DATASHEET

DAPU P/N: DP7X26000004
X32ZCYH26000

Plot			The Label
Drew	Audited	Approved	Stamp, please! Thanks!
Date: 2016.12.30			

Guangdong Dapu Telecom Technology Co.,Ltd

Bldg16,.N.Ind.Zone,SSL Industry Park, Dongguan City, Guangdong Province, China

TEL: 0086-0769-88010888 FAX: 0086-0769-81800098

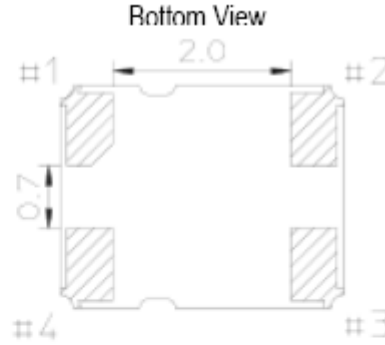
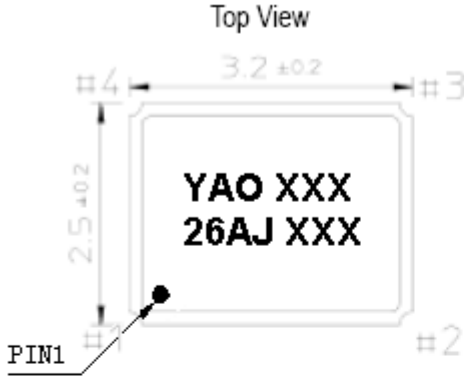


1、Electrical Parameters

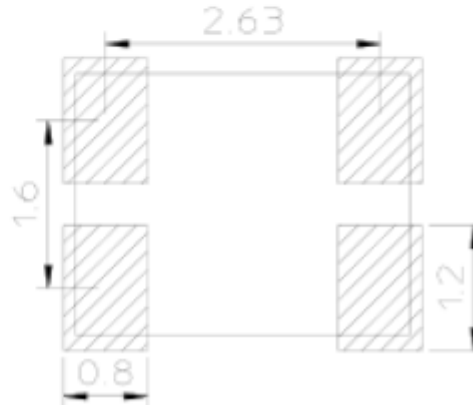
MODEL: DP7X2600004							
No.	Parameters	SYM.	Electrical Spec.				Notes
			Min.	Typ.	Max.	Units	
1	Nominal Frequency	FL	26.00			MHz	
2	Output Waveform		Clipped Sine				
3	Output Level		0.8			V _{P-P}	
4	Supply Voltage		+2.8V ±5%			V	
5	Output Load		10koms//10pF±10%				
6	Frequency Stability	vs Tolerance	-1.0		+1.0	×10 ⁻⁶	@25°C
		vs Temperature	-1.0		+1.0	×10 ⁻⁶	Ta=-30~+85°C
		vs Reflow soldering	-1.0		+1.0	×10 ⁻⁶	2 Times
		vs Supply voltage	-0.2		+0.2	×10 ⁻⁶	+2.8V ±5%
		vs Load	-0.2		+0.2	×10 ⁻⁶	10koms//10pF±10% each
7	Frequency Stability Slop		-0.2		+0.2	×10 ⁻⁶ /°C	@-20~+70°C, every+2°C
8	Operating Temperature	T-opr	-30	~	+85	°C	
9	Storage Temperature	T-stg	-40	~	+85	°C	
10	Voltage Control Range		±9.0~±15ppm			×10 ⁻⁶	+1.4±1.0V
11	Control Voltage		1.4±1.0			V	
12	Current Consumption	I _{cc}	-	-	1.5	mA	10koms//10pF±10%
13	Aging	-	-1	-	+1	×10 ⁻⁶ /year	
14	Start-up Time		-	-	2.0	ms	@90% of final V _{out} level
15	Phase Noise			-89		dBc/Hz	10Hz
				-115			100Hz
				-137			1KHz
				-145			10KHz
			-	-145			100KHz
16	Vibration Test	MIL-STD-883 2007 Condition A			10~2000Hz, 1.52mm, 20g, each axis for 4 hrs		
		JESD22-B103 Condition 1					
17	Thermal Shock	MIL-STD-883 1010 Condition B			-55°C, 125°C; soak time is 10 mins, with total 200 cycles		
		JESD22-A104 Condition B					
18	Mechanical Shock	MIL-STD-883 2002 Condition B			1500g half-sine, 0.5ms, each axis for 3 times.		
		JESD22-B104 Condition B					



2、Mechanical Structure(mm)



Recommended Land Pattern



Pad No.	Connection
	VC-TCXO
#1	Vcont
#2	GND
#3	Output
#4	Vcc

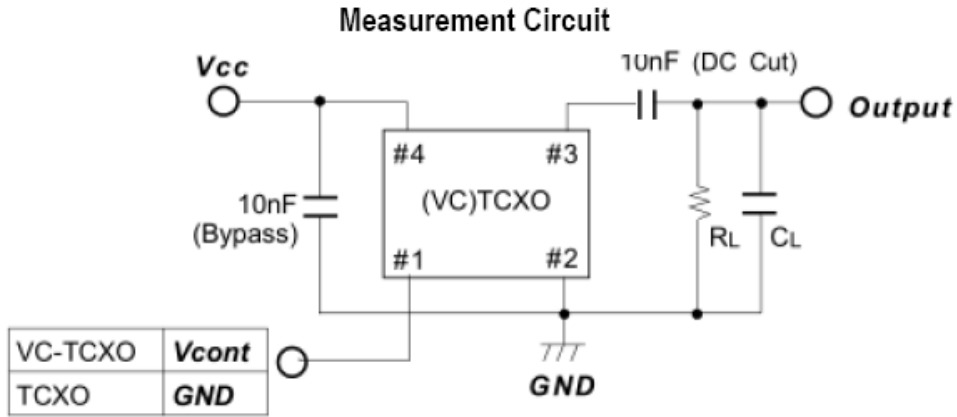
unit:mm

Note1: The first row XX representative: Production Week

Note2: The second row XXX representative: year+month+day



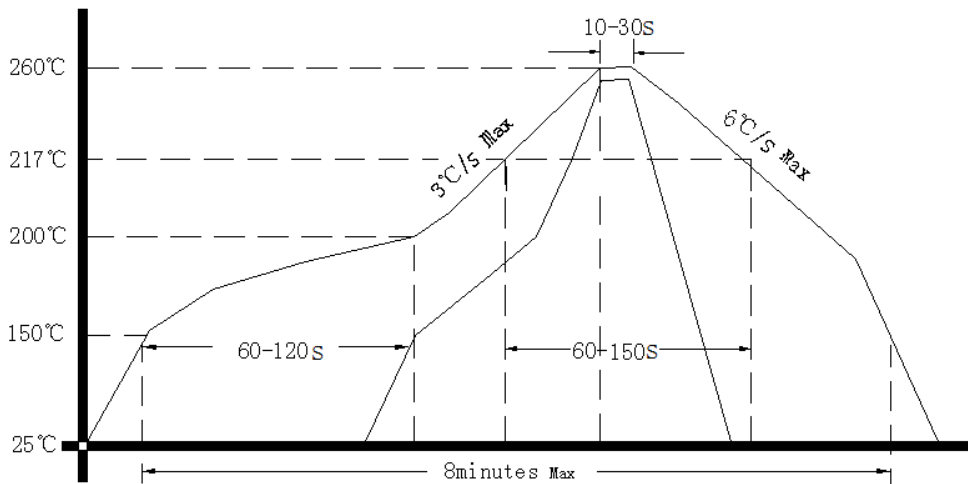
3、 Test Circuit



Notes:

- Please connect a bypass capacitor closely to Vcc Pad.
- Load capacitance (CL) includes probe and test board capacitance.

4、 Reflow Soldering Curve (RoHS)



5、 Package: Tape & Reel (mm)

