

客户宝号: _____
Travelling Merchant

DATASHEET

品名规格: M11A-J413-120.00MHz
Standard

编号: _____
P/N

出图 Plot			承认印 The Label
制图 Drew	审核 Audited	核准 Approved	请于承认签章 谢谢! Stamp, please! Thanks!
日期:2016.20.21 Date:			

广东大普通信技术有限公司

东莞市松山湖科技产业园区北部工业城 13-16 栋

Guangdong Dapu Telecom Technology Co.,Ltd

Bldg13-16,.N.Ind.Zone,SSL Industry Park, Dongguan City, Guangdong Province, China

TEL: 0086-0769-88010888 FAX: 0086-0769-81800098



1. 电性能 Electrical Parameters

型号 MODEL : M11A-J413-120.00MHz						
项目 Item	指标描述 Description	指标 Parameters			单位 Unit	测试条件 Test Condition
		最小值 Min.	典型值 Typ.	最大值 Max.		
输出 Output (正弦波)	频率 Frequency	120.00			MHz	
	波形 Output Waveform	正弦波 Sine Wave				
	输出幅度 Level	5			dBm	
	谐波 Harmonics Suppression			-30	dBc	
	杂波 Spurious Suppression			-60	dBc	
	负载 Load	50			Ω	
频率稳定度 Frequency Stabilities	温度特性 Frequency Tolerance vs. Operating Temperature Range	-0.1		+0.1	$\times 10^{-6}$	温度范围-40℃ 到 85℃, 参照 $T_A=25^\circ\text{C}$, $V_{cc}=3.3\text{V}$, $V_c=1.65\text{V}$, $O_{load}=50\Omega$ 测试结果; 温变 速度不超过每分钟 2℃ T_A varied from -40℃ to 85℃, measurement referenced to frequency observed with $T_A=25^\circ\text{C}$, $V_{cc}=3.3\text{V}$, $V_c=1.65\text{V}$, $O_{load}=50\Omega$, temperature variable speed less than 2℃ per minute.
	初始频率准确度 Initial Frequency Tolerance	-0.5		+0.5		参照 $T_A=25^\circ\text{C}$, $V_{cc}=3.3\text{V}$, $V_c=1.65\text{V}$ 测试结果; 出 厂后 30 天内 Measurement referenced to frequency observed with $T_A=25^\circ\text{C}$, $V_{cc}=3.3\text{V}$, $V_c=1.65\text{V}$, within 30 days after ex-works.
	电源特性 Frequency Tolerance vs. Supply Voltage	-0.1		+0.1	$\times 10^{-6}$	参照 $T_A=25^\circ\text{C}$, V_{cc} 从 3.13V 到 3.47V, $V_c=1.65\text{V}$, $O_{Load}=50\Omega$ measurement referenced to frequency observed $T_A=25^\circ\text{C}$, V_{cc} varied from 3.13V to 3.47V, $V_c=1.65\text{V}$, and $O_{Load}=50\Omega$.



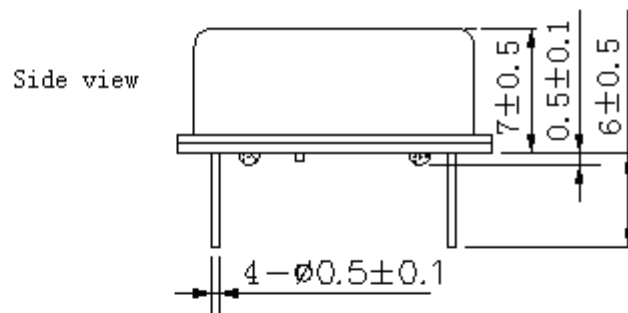
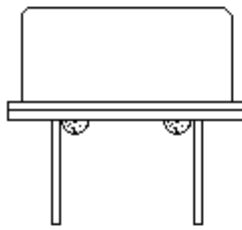
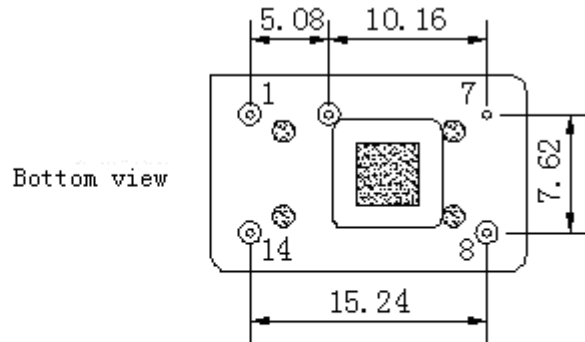
	负载特性 Frequency Tolerance vs. Load	-0.1		+0.1	$\times 10^{-6}$	负载变化量 5%,参照 $T_A=25^\circ\text{C}, V_{cc}=3.3\text{V}, V_c=1.65\text{V}, O_{Load}=50\Omega$ 5% load change measurement referenced to frequency observed with $T_A=25^\circ\text{C}, V_{cc}=3.3\text{V}, V_c=1.65\text{V}, O_{Load}=50\Omega$.
	日老化 Aging Tolerance Per Day	-0.02		+0.02	$\times 10^{-6}$	$T_A=25^\circ\text{C}, V_{cc}=3.3\text{V}, V_c=1.65\text{V}$, 开机 1 小时后连续测试
	年老化 Aging Tolerance 1Year	-1		+1	$\times 10^{-6}$	$T_A=25^\circ\text{C}, V_{cc}=3.3\text{V}, V_c=1.65\text{V}$ and after 1h of operation.
电气特性 Power Supply	电流 Current Consumption			40	mA	@ $25^\circ\text{C}, V_{cc}=3.3\text{V}, V_c=1.65\text{V}, O_{load}=50\Omega$
	供电电压 Supply Voltage	3.13	3.3	3.47	V	
压控特性 Voltage Control Characteristics	频率牵引变化范围 Frequency Tuning Range	-15		-10	$\times 10^{-6}$	$V_c=0\text{V}$. 参照 $V_c=1.65\text{V}$ $V_c=1.65\text{V}$. measurement referenced to $V_c=1.65\text{V}$
		-0.5		+0.5	$\times 10^{-6}$	$V_c=1.65\text{V}$. 参照 120.00MHz 精准频点测试 $V_c=1.65\text{V}$. measurement referenced to exactly 120.00MHz
		+10		+15	$\times 10^{-6}$	$V_c=3.3\text{V}$. 参照 $V_c=1.65\text{V}$ $V_c=3.3\text{V}$. measurement referenced to $V_c=1.65\text{V}$
	线性度 Linearity			10	%	
	斜率 Slope	正斜率 Positive				
	输入阻抗 Input Impedance	100			K Ω	
相位噪声 Phase Noise	相位噪声 Phase Noise		-120	-115	dBc/Hz	1KHz



环境特性 Environmental Conditions	可工作温度 Operable Temperature	-40		+85	°C	
	存储温度 Storage Temperature	-55		+105	°C	
	静电敏感等级 ESD Level	人体模型, class2: 2000V to 4000V; ANSI/ESDA/JEDEC JS-001-2010 Human Body Model, class2: 2000V to 4000V; ANSI/ESDA/JEDEC JS-001-2010.				
		机器模型, class B: 200V to 400V; ANSI/ESDA/JEDEC JS-001-2010 Machine Model, class B: 200V to 400V; ANSI/ESDA/JEDEC JS-001-2010.				
	湿敏等级 Moisture Sensitivity Level	非湿敏 Not humidity sensitive; Level 2.				
	Vibration 振动	测试条件: 0.75mm; 加速度: 10g; 10Hz~2000Hz, 每 30 分钟为一个循环, 每个方向测试 2 小时 (3 个方向 X,Y,Z), IEC 68-2-06 Test Fc Test Condition: 0.75mm ;acceleration:10g;10Hz~2000Hz, one cycle per 30 min, test 2 hour. (3 times for each 3 directions X ,Y , Z) .IEC 68-2-06 Test Fc.				
Shock 冲击	100g; 6ms; 半正弦波(3 个方向 X,Y,Z), IEC 68-2-27 Test Ea/Severity 50A 100g; 6ms; half sine wave (3 times for each 3 directions X ,Y , Z),IEC 68-2-27 Test Ea/Severity 50A.					

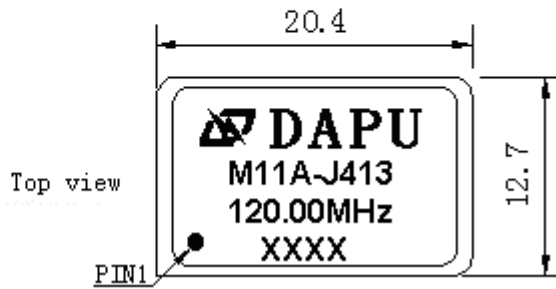


2. Mechanical Structure(mm)



PIN FUNCTION

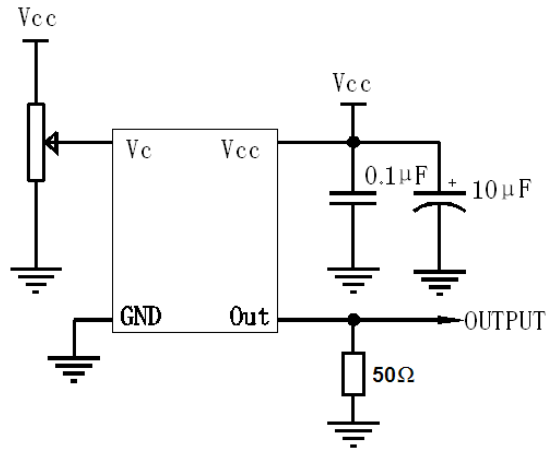
PIN	NOTATION	FUNCTION
1	VC	Control Voltage
7	GND	GND
8	OUTPUT	RF Output
14	VCC	Supply Voltage



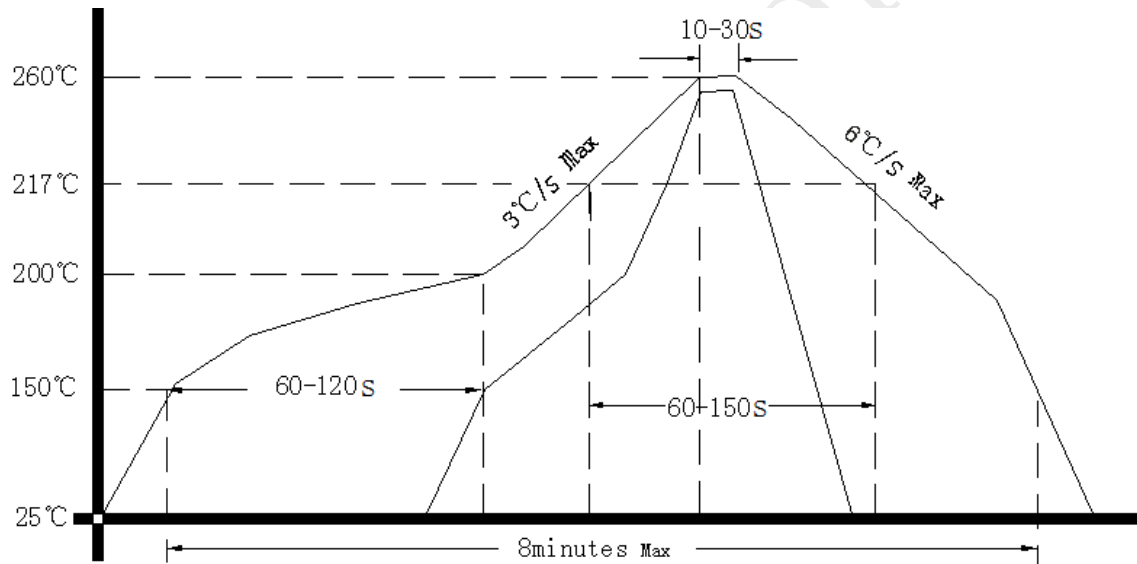
- Note1:** Tolerance $\pm 0.20\text{mm}$ without mark
Note2: The first two xx representative: week
 After two xx representative: year
Note3: Referential weight 4.2g



3. Test circuit



4. Wave Soldering Curve (RoHS)



5. Package: PVC Tube, 10pcs (mm)

