

Customer Code: _____

DATASHEET

DAPU P/N: DP6U15625001

DAPU			Customer Approval
Drew	Audited	Approved	Stamp, please! Thanks!
Date: 2016.09.12			

Guangdong Dapu Telecom Technology Co.,Ltd

Bldg 16,.N.Ind.Zone,SSL Industry Park, Dongguan City, Guangdong Province, China

TEL: 0086-0769-88010888 FAX: 0086-0769-81800098



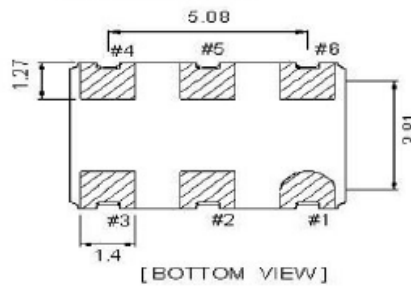
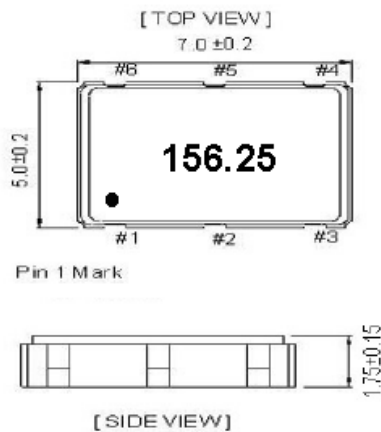
1、 Electrical Parameters

MODEL: DP6U15625001							
No	Parameters	SYM.	Electrical Spec.				Notes
			Min.	Typ.	Max.	Units	
1	Nominal Frequency	FL	156.25			MHz	
2	Frequency Stability		-30		+30	$\times 10^{-6}$	Frequency stability includes frequency tolerance@25°C and frequency stability vs. operating temperature range and voltage variance and first year aging.
3	Operating Temperature	Topr	-40		85	°C	
4	Storage Temperature	Tstg	-55		125	°C	
5	Supply Voltage	VDD	3.135	3.3	3.465	V	
6	Current	Icc	-		100	mA	
7	Output Waveform		LVPECL				
8	Output Load	CL			50Ω-2V	ohm	
9	Output Voltage High	VoH	2.275		-	V	
10	Output Voltage Low	VoL			1.68	V	
11	Rise Time	Tr			1.0	ns	
12	Fall Time	Tf			1.0	ns	
13	Duty Cycle	TH/T	45	50	55	%	
14	Start Time				3.0	mSec	
15	Center Voltage			1.65		V	
16	Pulling Range		± 80			$\times 10^{-6}$	
17	Control Voltage Range		0.3		3.0	V	
18	Absolute Pull Range (APR)		± 30			$\times 10^{-6}$	
19	Linearity				10	%	
20	Modulation Bandwidth		25			KHz	
21	VC Input Impedance		50			Kohm	
22	Tri-State	Output Active	2.31			V	
23		Output in High-Impedance state			0.99	V	
24	Min absolute pull range (APR)		± 30			$\times 10^{-6}$	over aging 15 years and operating temperature(3.3V)



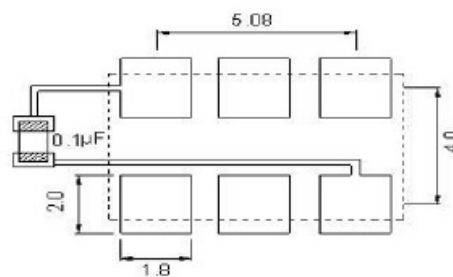
25	Phase Noise			-80	dBc/Hz	100Hz
				-110		1KHz
				-135		10KHz
				-145		100KHz
26	RMS Phase Jitter			0.3	pSec	12KHz~20MHz
27	Vibration Test	MIL-STD-883 2007 Condition A				10~2000Hz, 1.52mm, 20g, each axis for 4 hrs
		JESD22-B103 Condition 1				
28	Thermal Shock	MIL-STD-883 1010 Condition B				-55°C, 125°C; soak time is 10 mins, with total 200 cycles
		JESD22-A104 Condition B				
29	Mechanical Shock	MIL-STD-883 2002 Condition B				1500G, half-sine, 0.5ms, each axis for 3 times.
		JESD22-B104 Condition B				

2、Mechanical Structure(mm)



PIN FUNCTIONS

Pin	Function
#1	Vcon
#2	Tri-State
#3	GND
#4	Output
#5	Comp. Output
#6	VDD



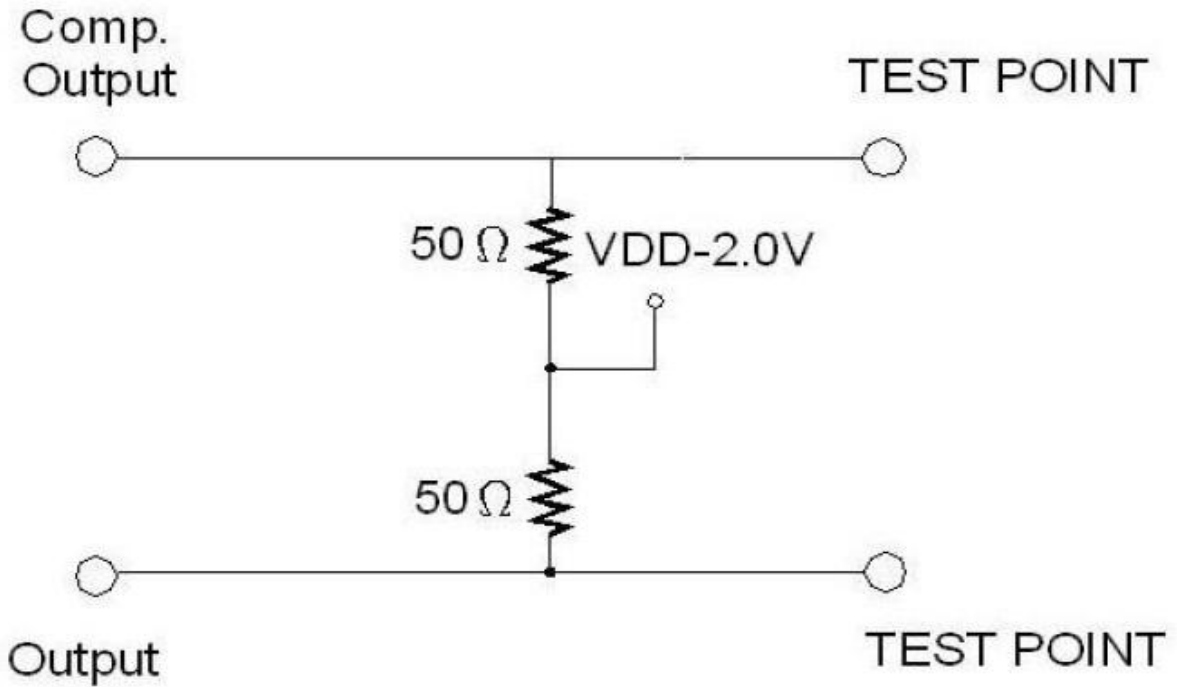
Recommended soldering pattern

Unit:mm

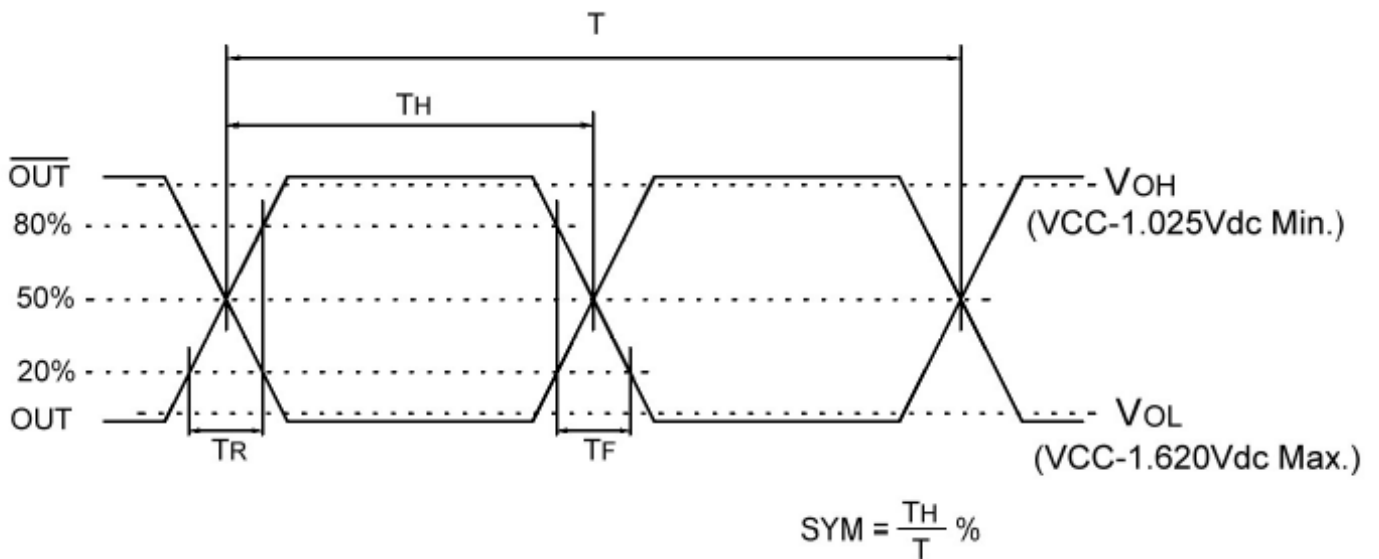
Note1: Tolerance ±0.20mm



3、 Test Circuit

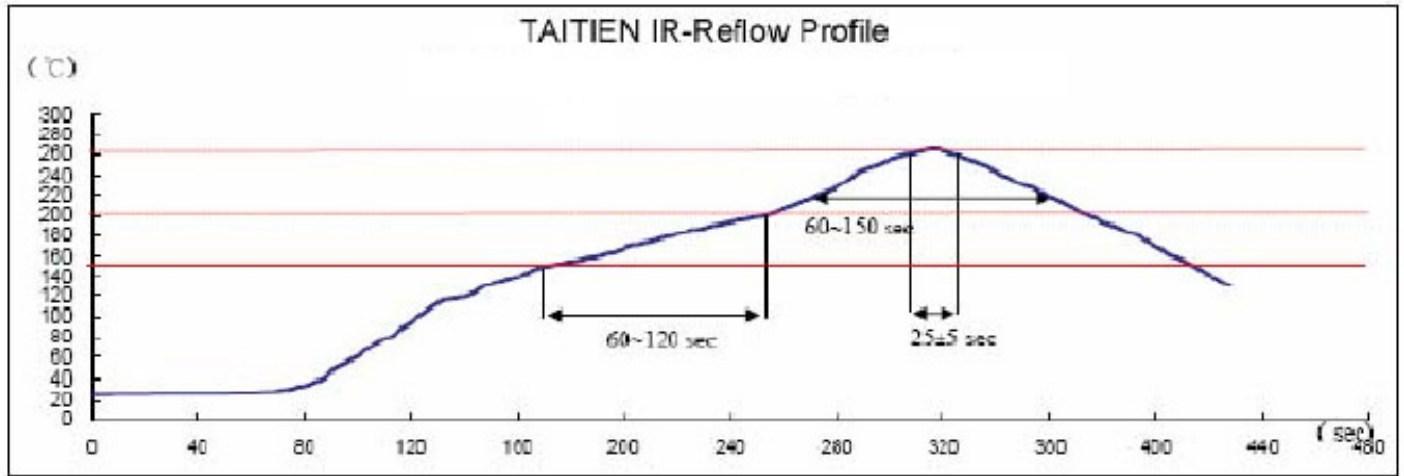


4、 Output Waveform (Lvpecl Load)





5. Recommended Ir Reflow Profile



IR-Reflow Test

Reference Standard : JEDEC-STD 020

Test Conditions: Pre-heating : 150°C to 200 °C, 60~120 sec

Heating : 217 °C , 60~150 sec

Peak Temperature : 260±5 °C , 25±5 sec

6. Package: Tape & Reel (mm)

