

Travelling Merchant: _____

DATASHEET

Standard: OS754-J389-100.00MHzP/N: Y75NN01001

Plot			The Label
Drew	Audited	Approved	Stamp, please! Thanks!
Date: 2014.06.30			

Guangdong Dapu Telecom Technology Co.,Ltd

Bldg13-16,.N.Ind.Zone,SSL Industry Park, Dongguan City, Guangdong Province, China

TEL: 0086-0769-88010888 FAX: 0086-0769-81800098

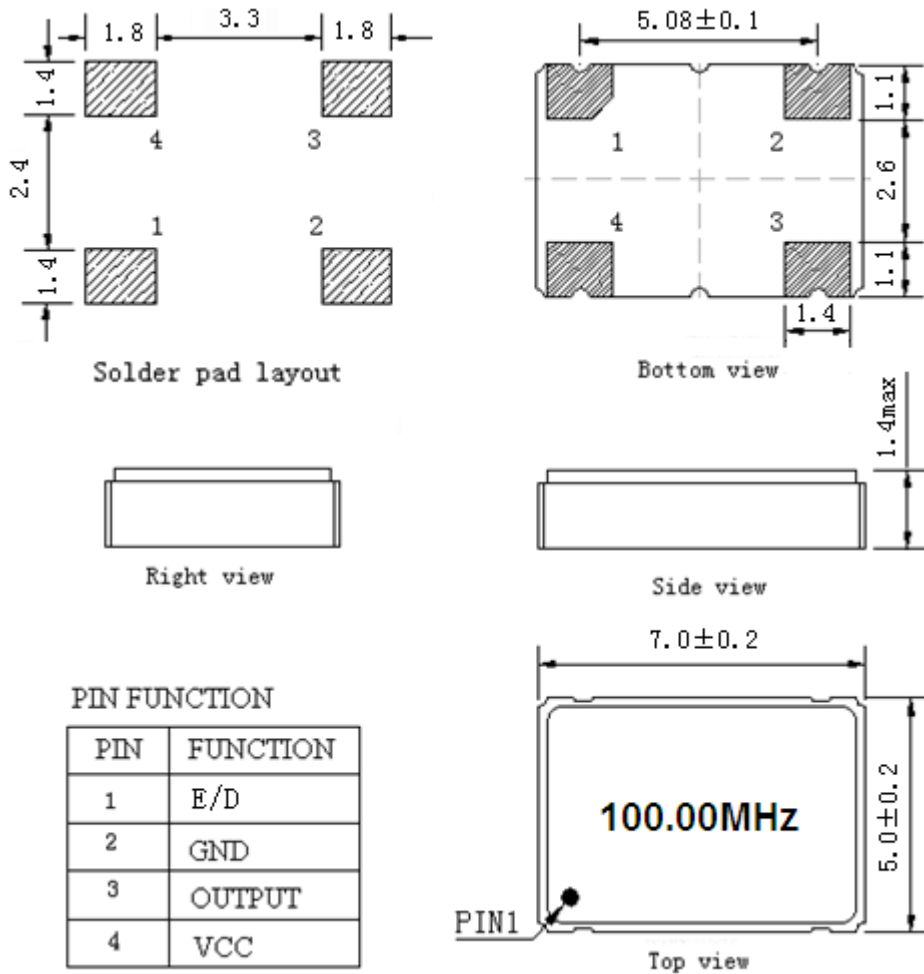


1. Electrical Parameters

MODEL: OS754-J389-100.00MHz						
Item	Description	Parameters			Unit	Test Condition
		Min.	Typ.	Max.		
Output	Frequency	100.00			MHz	
	Output Waveform	HCMOS				
	Output Low Voltage			10% V _{cc}	V	V _{cc} =1.8V, O _{load} =15 pF
	Output High Voltage	90% V _{cc}			V	V _{cc} =1.8V, O _{load} =15 pF
	Duty Cycle	45	50	55	%	@50%
	Rise / Fall Time (20%~80%)			5	ns	@25°C
	Load	15			pF	
	Start-up Time			10	ms	
Frequency Stabilities	Frequency Stability	-50		+50	× 10 ⁻⁶	Incl. -25°C tolerance - tolerance over operating temperature -20°C to 70°C - 1.8V ±10% - 15pF load ±5% - 1 year aging
	Aging Tolerance 1 Year	-5		+5	× 10 ⁻⁶	T _A =25°C, V _{cc} =1.8V, and after 1h of operation.
Power Supply	Current Consumption			35	mA	@25°C, V _{cc} =1.8V, O _{Load} =15pF.
	Supply Voltage	1.62	1.8	1.98	V	
Environmental Conditions	Operable Temperature	-20		+70	°C	
	Storage Temperature	-55		+125	°C	
	ESD Level	Human Body Model,class2: 2000V to 4000V; ANSI/ESDA/JEDEC JS-001-2010.				
		Machine Model, class B: 200V to 400V; ANSI/ESDA/JEDEC JS-001-2010.				
	Moisture Sensitivity Level	Level 2.				
	Vibration	Test Condition: 0.75mm ;acceleration:10g;10Hz~2000Hz, one cycle per 30 min, test 2 hour. (3 times for each 3 directions X , Y , Z) .IEC 68-2-06 Test Fc.				
Shock	100g; 6ms; half sine wave (3 times for each 3 directions X , Y , Z),IEC 68-2-27 Test Ea/Severity 50A.					



2. Mechanical Structure(mm)



Note1: Tolerance $\pm 0.1\text{mm}$ without mark

Note2: Referential Weight 0.2g

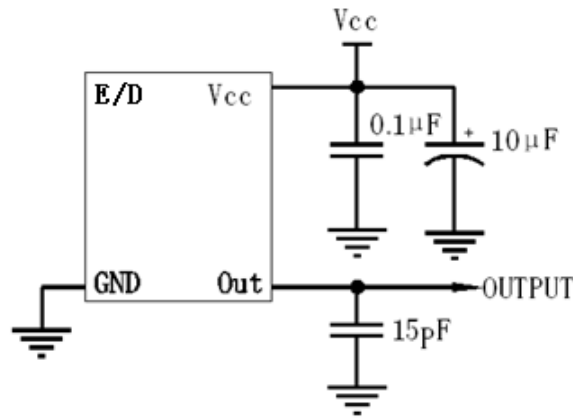
Note3: Enable: $V_{ih} \geq 0.7V_{cc}$

Disable: $V_{il} \leq 0.3V_{cc}$

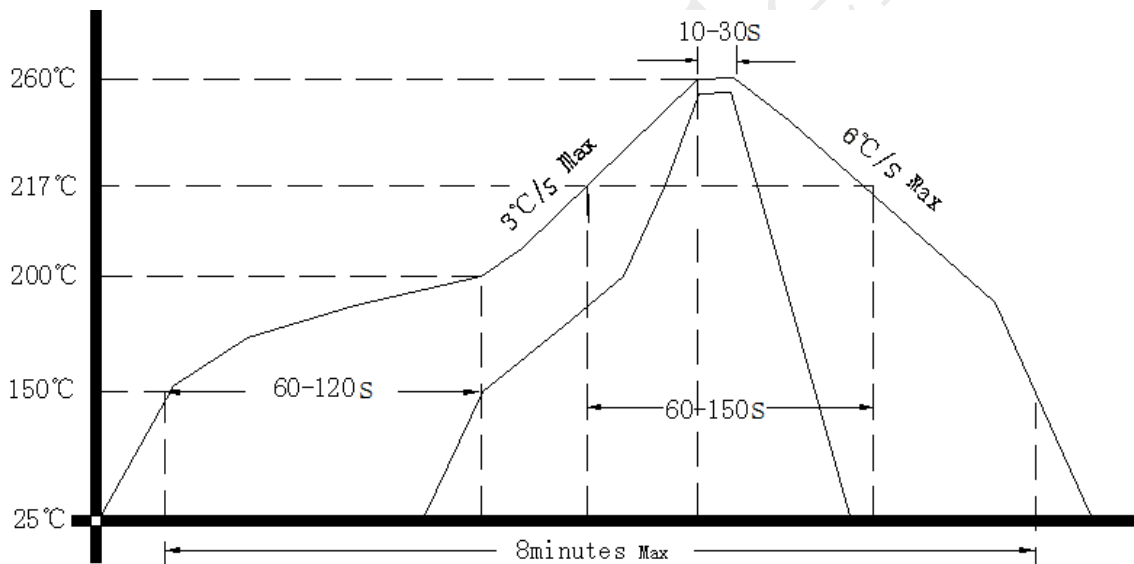
E/D	OUT
high level, open	data
low level	no data



3. Test circuit



4. Reflow Soldering Curve (RoHS)



5. Package: Tape & Reel (mm)

