

Customer Code : _____

DATASHEET

DAPU P/N: **R55B-10.00MHz**

Customer P/N: _____

Pre-release

DAPU			Customer Approval
Drew	Audited	Approved	Stamp, please! Thanks!
Date: 2015.09.07			

Guangdong Dapu Telecom Technology Co.,Ltd

Bldg 16,.N.Ind.Zone,SSL Industry Park, Dongguan City, Guangdong Province, China

TEL: 0086-0769-88010888 FAX: 0086-0769-81800098



1. Electrical Parameters

MODEL: R55B -10.00MHz						
Item	Description	Parameters			Unit	Test Condition
		Min.	Typ.	Max.		
Output	Frequency	10.00			MHz	
	Output Waveform	HCMOS				
	Output Low Voltage			0.5	V	$V_{cc}=5.0V, O_{load}=15pF$
	Output High Voltage	2.7			V	$V_{cc}=5.0V, O_{load}=15pF$
	Duty Cycle	40	50	60	%	@50%
	Rise / Fall Time (10%~90%)			10	ns	
	Load	15			pF	
	Non-Harmonics			-85	dBc	
Frequency Stabilities	Frequency Tolerance vs. Operating Temperature Range	-0.05		+0.05	$\times 10^{-9}$	T_A varied from $-10^{\circ}C$ to $75^{\circ}C$, measurement referenced to frequency observed with $f_{ref}=(f_{max}+f_{min})/2, V_{cc}=5.0V, O_{load}=15pF$, temperature variable speed less than $2^{\circ}C$ per minute.
	Initial Frequency Tolerance	-2		+2	$\times 10^{-9}$	Measurement referenced to frequency observed with $T_A=25^{\circ}C, V_{cc}=5.0V$, and after 15 minutes of operation at shipment.
	Short-Term Stability: Allan Variance			0.005	$\times 10^{-9}$	Temperature stability, no EMI\EMC or other interference, test after power for 1hour ref. to $25^{\circ}C$; 1s, using PN9000 equipment.
	Retrace	-0.5		+0.5	$\times 10^{-9}$	@ $25^{\circ}C$, frequency variation measured after 24 hours on, 24hours power off and 24 hours power on.
	Aging Tolerance per day	-0.04		+0.04	$\times 10^{-9}$	V_{cc}, T_A constant Measurement referenced to frequency observed with $T_A=25^{\circ}C, V_{cc}=5.0V, O_{load}=15pF$, and after 30 days of operation.
	Aging Tolerance 1 Month	-0.3		+0.3	$\times 10^{-9}$	
	Aging Tolerance 1 Year	-1.5		+1.5	$\times 10^{-9}$	
Power Supply	Supply Voltage	4.75	5.0	5.25	V	
	Current Consumption			600	mA	@ $25^{\circ}C$
	Warm up current			1200	mA	
	Warm-up Time			60	min	@ $25^{\circ}C$ within $\pm 0.5 \times 10^{-9}$ of final frequency with reference after 24 hour on.
	Voltage Coefficient			0.02	$\times 10^{-9}$	$5.0V \pm 5\%, f_{pk-pk}=(f_{max}-f_{min})/f_0$.

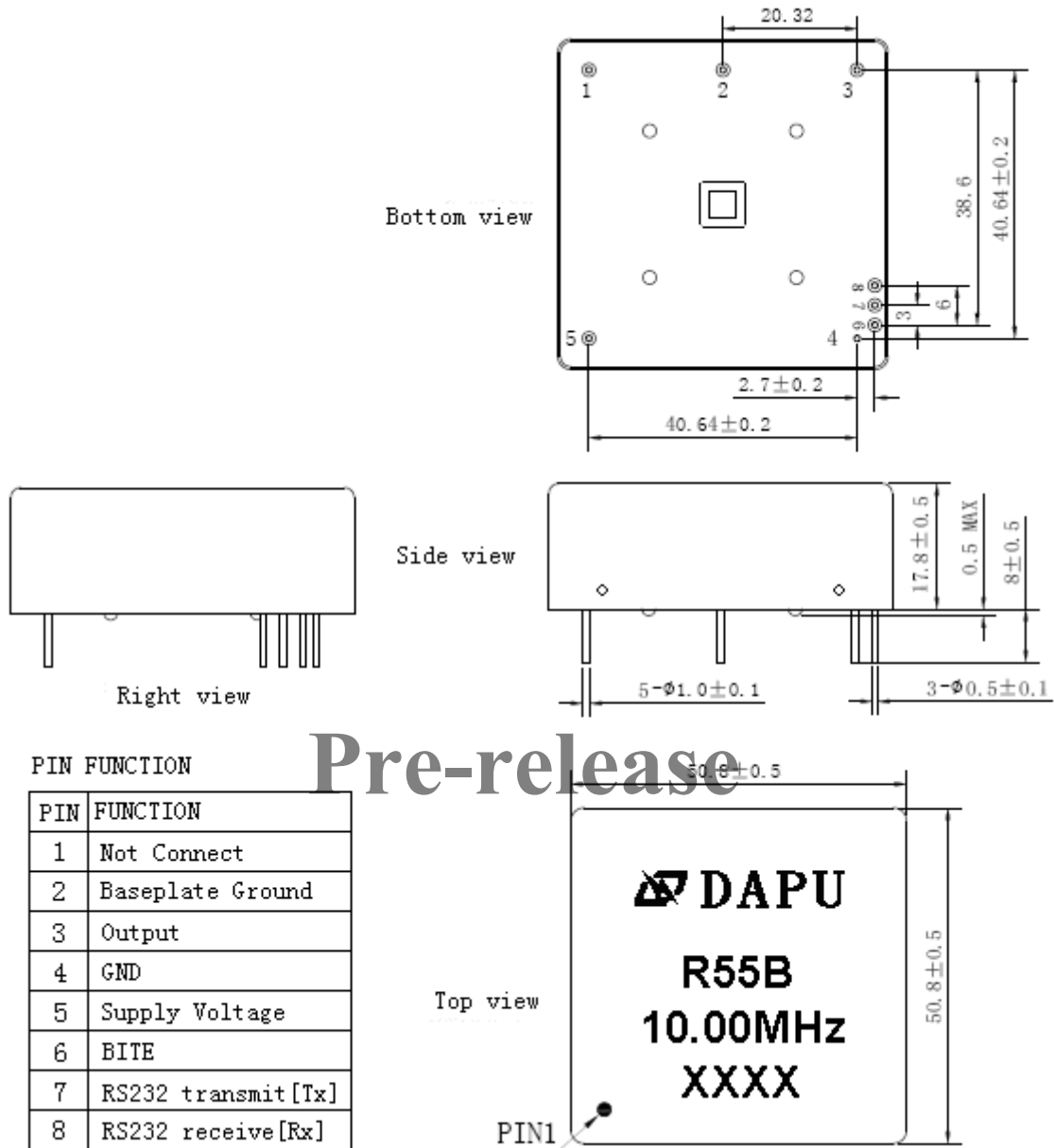


Phase Noise	Phase Noise @25°C		-100	-90	dBc/Hz	1Hz
			-130	-120		10Hz
			-145	-135		100Hz
			-150	-145		1KHz
			-150	-145		10KHz
Environmental Conditions	Operable Temperature	-40		+85	°C	
	Storage Temperature	-55		+105	°C	
	ESD Level	Human Body Model, class2: 2000V to 4000V; ANSI/ESDA/JEDEC JS-001-2010.				
		Machine Model, class B: 200V to 400V; ANSI/ESDA/JEDEC JS-001-2010.				
	Moisture Sensitivity Level	Not humidity sensitive.				
	Vibration	Test Condition: 0.75mm ;acceleration:10g;10Hz~500Hz, one cycle per 30 min, test 2 hour. (3 times for each 3 directions X ,Y , Z), IEC 68-2-06 Test Fc.				
Shock	50g; 11ms; half sine wave (3 times for each 3 directions X ,Y , Z),IEC 68-2-27 Test Ea/Severity 50A.					
Full Package Storage	Relative humidity (%)	20%~70%				
	Temperature (°C)	-10~35°C				

Pre-release



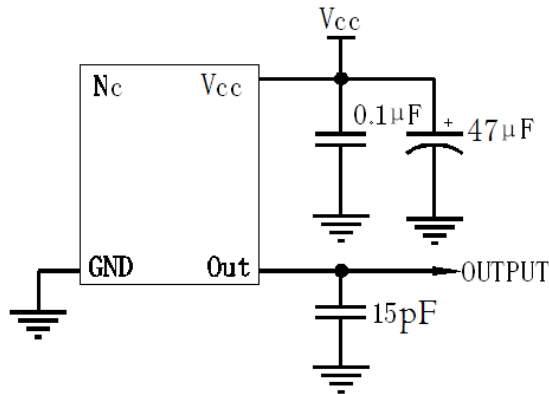
2. Mechanical Structure (mm)



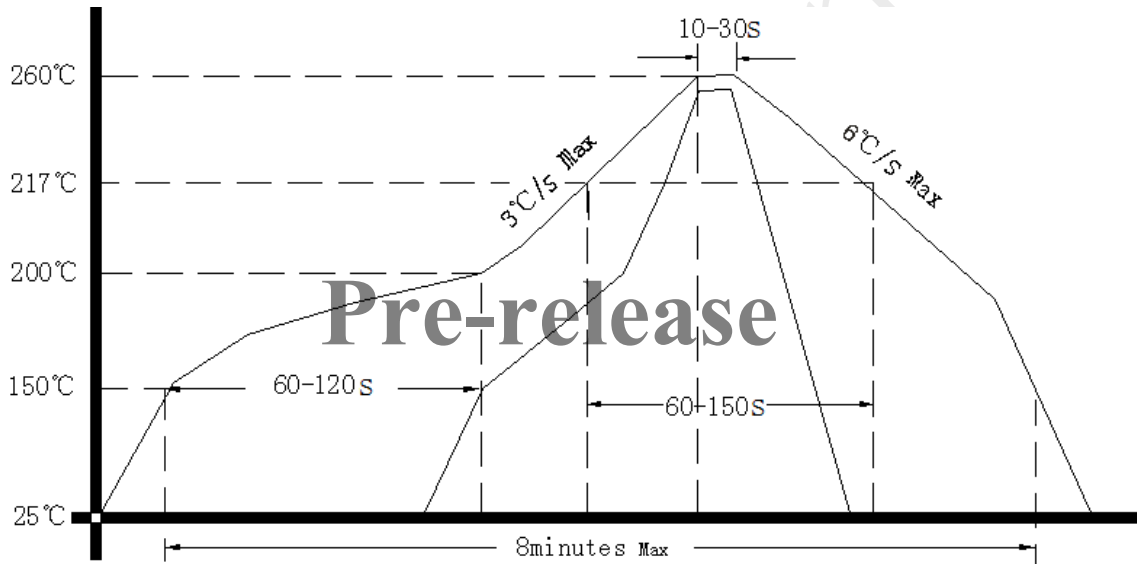
- Note1:** Tolerance ±0.20mm without mark
- Note2:** The first two xx representative: week
After two xx representative: year
- Note3:** Referential Weight 56.1g



3. Test Circuit



4. Reflow Soldering Curve (RoHS)



5. Package(mm)

