

Travelling Merchant: _____

DATASHEET

Standard: CM77P-D129-10.00MHz

P/N: _____

Plot			The Label
Drew	Audited	Approved	Stamp, please! Thanks!
Date: 2014.08.11			

Guangdong Dapu Telecom Technology Co.,Ltd

Bldg13-16,.N.Ind.Zone,SSL Industry Park, GuangDong City, Guangdong Province, China

TEL: 0086-0769-88010888 FAX: 0086-0769-81800098



1. Electrical Parameters

1 PPS Reference Input	Parameters	Min.	Typ.	Max.	Unit.	Test Condition
	Waveform	HCMOS				
High-Level Output Voltage (V_{IH})	2.7				V	50 Ω
Low-Level Output Voltage (V_{IL})			0.4		V	
Pulse Width	10				μ s	
Connector	Pin 10					
PTP Interface	Parameters	Min.	Typ.	Max.	Unit.	Test Condition
	SGMII Rx analogue supply voltage DC, 1.2 V.	-0.5		1.4	V	
	SGMII Tx analogue supply voltage DC, 1.2 V	-0.5		1.4	V	
	SGMII Rx analogue supply DC, 3.3 V	-0.5		3.7	V	
	SGMII TX analogue supply DC, 3.3 V.	-0.5		3.7	V	
	SGMII digital supply DC, 1.2 V	-0.5		1.4	V	
	SGMII RX analogue supply DC, 1.2 V.	-0.5		1.4	V	
	SGMII TX analogue supply DC, 1.2 V	-0.5		1.4	V	
	SGMII RX analogue supply DC, 3.3 V.	-0.5		3.7	V	
	SGMII TX analogue supply DC, 3.3 V	-0.5		3.7	V	
FORCE HOLD	Parameters	Min.	Typ.	Max.	Unit.	Test Condition
	Lock Enable	2.7			V	<5mA Load
	Force Hold			0.4	V	<5mA Load
	Connector	Pin 11				
RF Output	Parameters	Min.	Typ.	Max.	Unit.	Test Condition
	Nominal Frequency	10.00		MHz		
	Waveform	HCMOS				
	High-level Output Voltage (V_{OH})	2.7			V	<5mA Load
	Low-level Output Voltage (V_{OL})			0.4	V	<5mA Load
	Rise/Fall Time			8	ns	<5mA Load
	Duty Cycle	45	50	55	%	<5mA Load
	Accuracy	-1		+1	$\times 10^{-12}$	24 hours average when locked to 1 PPS
	Short-term Stability			5	$\times 10^{-12}$	Temperature stability, no EMI/EMC or other interference, test after power for 1 hour ref. to



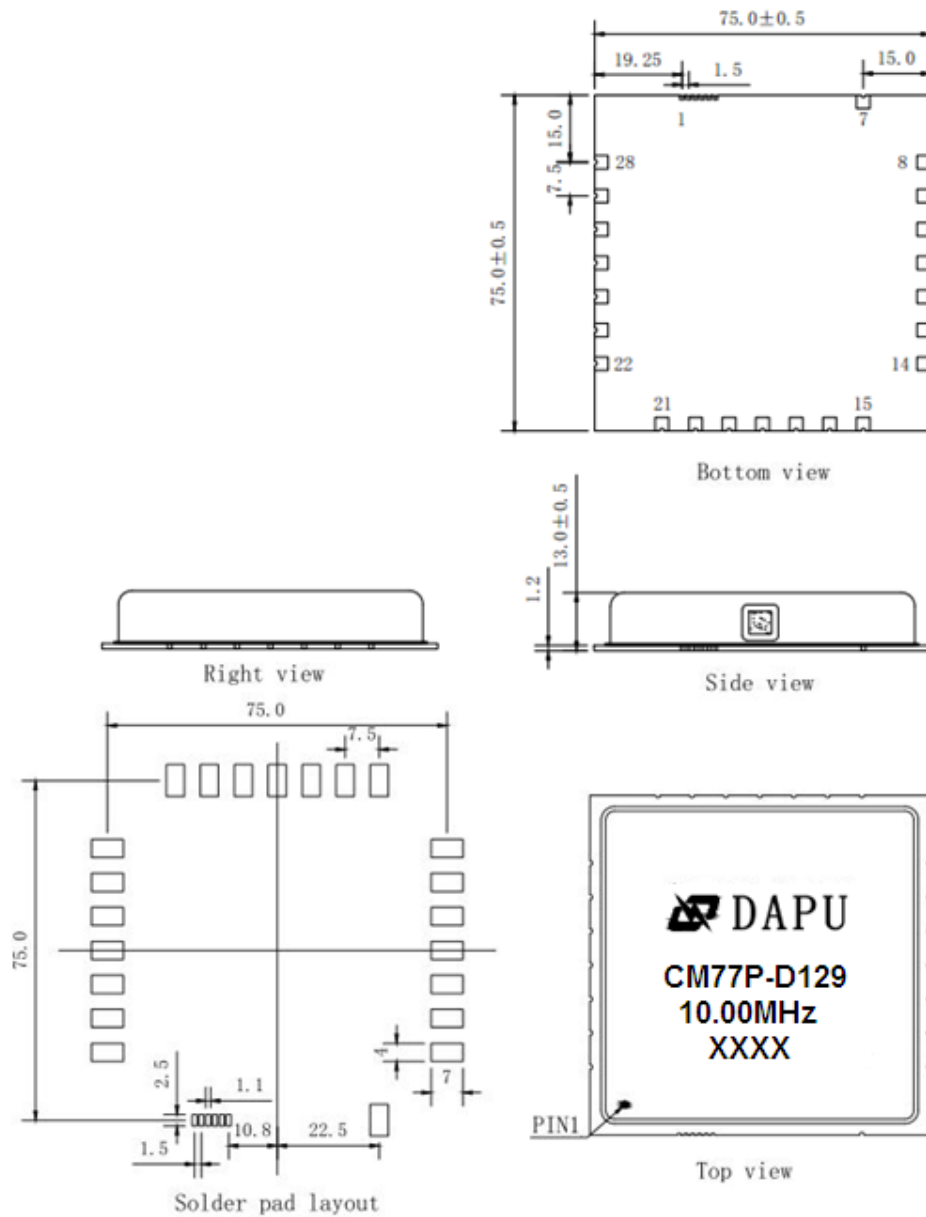
						25°C; 1s, using PN9000 equipment.	
	Aging Tolerance Per Day	-0.2		+0.2	$\times 10^{-9}$	V_{cc}, T_A constant	
	Aging Tolerance 1 Year	-0.01		+0.01	$\times 10^{-6}$	measurement referenced to frequency observed with $T_A=25^\circ\text{C}, V_{cc}=5.0\text{V}$, in FREE RUN condition and after 30 days of operation.	
	Phase Noise (All conditions)			-118	-113	dBc/Hz	10Hz
				-138	-133		100Hz
				-148	-143		1KHz
				-150	-145		10KHz
				-150	-150		100KHz
			-150	-150	1MHz		
Connector	Pin 18						
Holdover Capability	Holdover Time	Min.	Typ.	Max.	Unit.	Test Condition	
	24 Hours	-1.5		+1.5	μs	$\Delta T=\pm 5^\circ\text{C}$, 24 hours holdover after turn on 7days and lock 3days	
Supply Voltage	Parameters	Min.	Typ.	Max.	Unit.	Test Condition	
	Supply Voltage	4.75	5.0	5.25	V		
	Current Consumption			2000	mA	During Warm-up	
				1000	mA	During steady state operation @25°C	
	AC Ripple			50	mVpk-pk	10Hz to 1MHz	
Connector	Pin 9						
1 PPS Output Waveform Characteristics	Parameters	Min.	Typ.	Max.	Unit.	Test Condition	
	Waveform	HCMOS					
	High-Level Output Voltage(V_{OH})	2.7			V	50 Ω	
	Low-level Output voltage (V_{OL})			0.4	V		
	Pulse Width		100		ms		
	Connector	Pin 12					
State Output	Parameters	Min.	Typ.	Max.	Unit.	Test Condition	
	Lock	2.7			V	<5mA Load	



	Free run/Holdover			0.4	V	<5mA Load
	Connector	Pin 16				
Serial Interfaces	Parameters	Min.	Typ.	Max.	Unit.	Test Condition
	Rx high-level Input Voltage (VH)	2.7			V	
	Rx low-level Input Voltage (VL)			0.4	V	
	Tx high-level Output Voltage (VH)	2.7			V	
	Tx low-level Output Voltage (VL)			0.4	V	
	Serial Protocol	9600-N-8-1				
	Connector	Pin 14 and Pin 15				
Environmental Conditions	Parameter	Conditions				
	Operating temperature	-20°C to +75°C				
	Storage Temperature	-55°C to +105°C				
	Storage humidity	30%~80%				
	ESD Level	Human Body Model,class2: 2000V to 4000V; ANSI/ESDA/JEDEC JS-001-2010.				
		Machine Model, class B: 200V to 400V; ANSI/ESDA/JEDEC JS-001-2010.				
	Moisture Sensitivity Level	Not humidity sensitive.				
	Vibration	Test Condition: 0.75mm ;acceleration:10g;10Hz~500Hz, one cycle per 30 min, test 2 hour. (3 times for each 3 directions X ,Y , Z), IEC 68-2-06 Test Fc.				
Shock	50g; 11ms; half sine wave (3 times for each 3 directions X ,Y , Z),IEC 68-2-27 Test Ea/Severity 50A.					



2. Mechanical Structure(mm)



- Note1:** Tolerance $\pm 0.2\text{mm}$ without mark
- Note2:** The first two xx representative: week
After two xx representative: year
- Note3:** Referential Weight $135\pm 15\text{g}$

PIN	NAME	DESCRIPTION
2	SGMII_RXN	PTP port ,SGMII interface
3	SGMII_RXP	
4	SGMII_TXN	
5	SGMII_TXP	



1, 6, 8	GND	GND
7	BITS_IN	2MHz reference clock input
9	VCC_5V	Power supply input, 4.75V to 5.25V
10	1PPS_INPUT	1PPS input clock, it can come from GPS receiver or other 1PPS reference
11	FORCE_HOLD	Force the clock module into holdover mode
12	1PPS_OUTPUT	The clock module 1PPS output
13	Clock output	Frequency-aligned outputs: 1 Hz and programmable frequency 1 kHz to 180 MHz. Low jitter frequency-aligned outputs: SONET and SDH OC-n rates: 3.84 MHz to 155.52 MHz. SyncE rates: 25 MHz, 50 MHz, 62.5 MHz and 125 MHz
14	TXD	Serial Interfaces, 9600-N-8-1
15	RXD	
16	STATUS	State output. Output high level when the CM is locked and stable, others low level
17	SYS_MODE0	See Table 2 for more details
18	RF OUT	The output 10MHz from the high precision OCXO in the clock module
19	RESET	Reset the clock module
20	TOPSYNC_FAULT	Fault alarm
21	SYS_MODE1	See Table 2 for more details
22	SPI_CLK	SPI interface, The serial peripheral interface (SPI) is a slave port for communication with a serial microprocessor bus, allowing the module to be controlled by an external processor
23	SPI_SDI	
24	SPI_SDO	
25	SPI_CS	
26	SPI_INT	
27	TOD_RX	Time of day input interface, NMEA 0183 or UBX protocol ,The UART has an integrated baud rate generator using 1 stop bit and no parity.The maximum baud rate of the UART port is 19200 baud
28	TOD_TX	Time of day output interface, NMEA 0183 or UBX protocol ,The UART has an integrated baud rate generator using 1 stop bit and no parity.The maximum baud rate of the UART port is 19200 baud

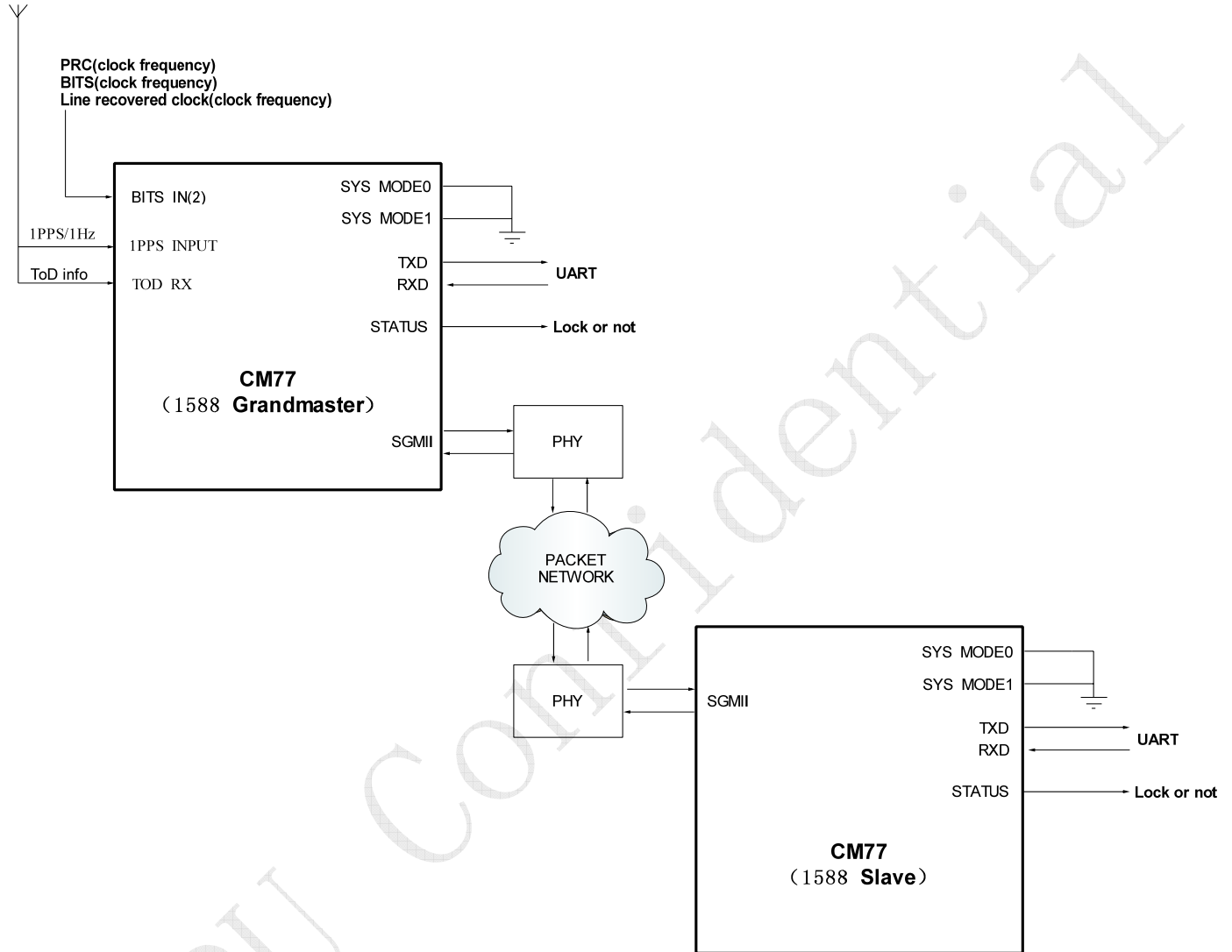
TABLE2

SYS_MODE0	SYS_MODE1	Operating mode
0	0	Combined PTP and Physical Layer Timing.
0	1	SGMII / Ethernet self test physical port 0
1	0	SGMII / Ethernet self test physical port 1
1	1	Restore default factory programmed device settings



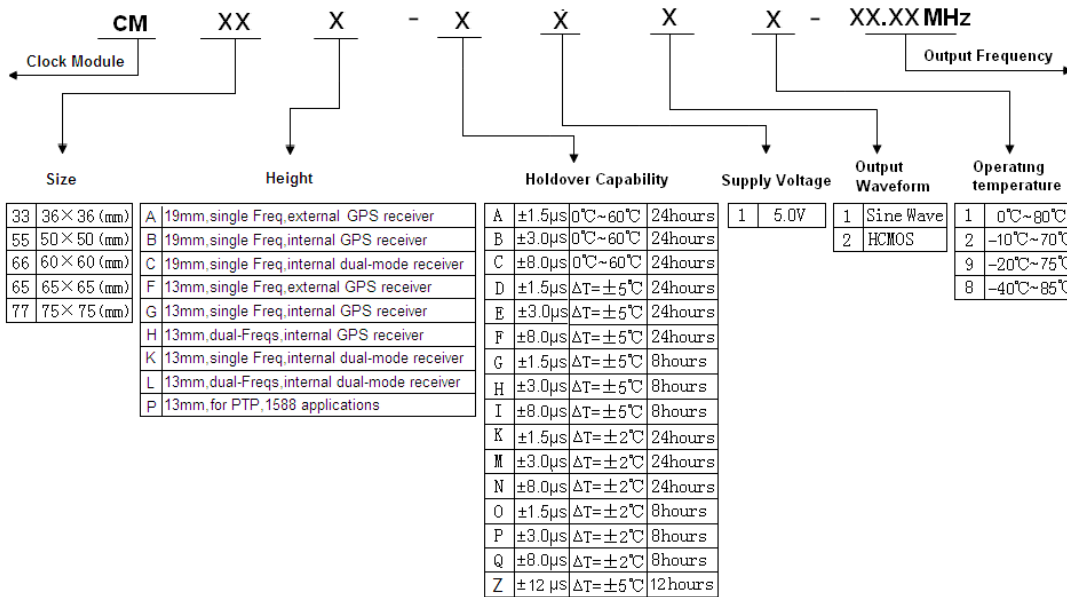
3. Application Information

Clock reference sources
UTC time reference(ToD info + 1PPS clock)
GPS(ToD info + 1PPS clock)
ARB(ToD info + 1Hz clock)

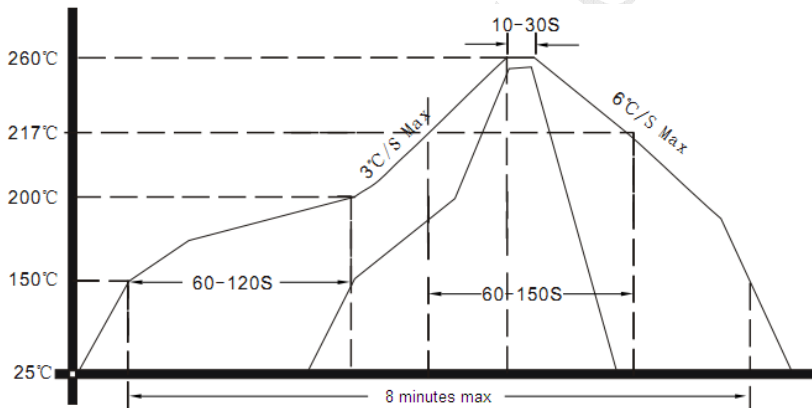




4. Coding Rules



5. Reflow Soldering Curve (RoHS)



6. Package (mm)

