

Customer Code : _____

DATASHEET

DAPU P/N: **O21G-L426-9.60MHz**
(2P9600AAASK1) _____

Customer P/N: _____

DAPU			Customer Approval
Drew	Audited	Approved	Stamp, please! Thanks!
Date: 2015.10.20			

Guangdong Dapu Telecom Technology Co.,Ltd

Bldg 16,.N.Ind.Zone,SSL Industry Park, Dongguan City, Guangdong Province, China

TEL: 0086-0769-88010888 FAX: 0086-0769-81800098



Table of amendment

Version	Revision contents	Prepared by	Revised date
1.0	The first issued	<i>Amway</i>	2015.10.20



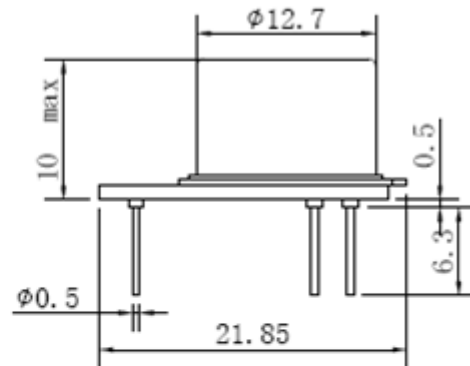
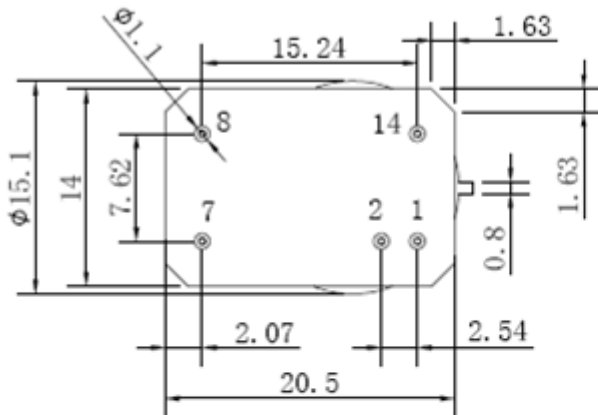
1. Electrical Parameters

MODEL: O21G-L426-9.60MHz						
Item	Description	Parameters			Unit	Test Condition
		Min.	Typ.	Max.		
Output	Frequency	9.60			MHz	
	Output Waveform	Sine wave				
	Level		8	10	dBm	
	Load	50			Ω	
	Harmonics Suppression			-25	dBc	
Frequency Stabilities	Frequency Tolerance vs. Operating Temperature Range	-0.1		+0.1	$\times 10^{-6}$	T_A varied from -40°C to 85°C, ref 25°C.
	Frequency Tolerance vs. supply voltage		± 2		$\times 10^{-9}$	Ref Vcc typ.
	Frequency Tolerance vs. acceleration	± 0.5		± 1	$\times 10^{-9}/G$	Worst direction.
	Allan variance	5	20		$\times 10^{-12}$	1s.
	Aging Tolerance per day	-0.5		+0.5	$\times 10^{-9}$	after 30 days of operation.
	Aging Tolerance 1Year	-0.05		+0.05	$\times 10^{-6}$	
Power Supply	Supply Voltage	4.75	5.0	5.25	V	3.3V available
	Steady Consumption		30		mA	@25°C
	Warm up current		140		mA	
	Warm-Up Time	15	60		s	@25°C, to $\Delta f/f = 0.1 \times 10^{-6}$, ref. to frequency after 10 min.
	Vref out	4.1	4.2	4.3	V	
Voltage Control Characteristics	Control Voltage Range	0		4.2	V	
	Tuning Range	± 0.5	± 1		$\times 10^{-6}$	
	Slope	Positive				
Phase Noise	Phase Noise		-95		dBc/Hz	1Hz
			-125			10Hz
			-145			100Hz
			-160			1KHz
			-165			10KHz



Environmental Conditions	Operable Temperature	-40		+85	°C	
	Storage Temperature	-60		+90	°C	
	Humidity	Non-condensing 95%				
	Vibration	Per MIL-STD-202, 10G swept sine 10 to 2000Hz				
	Shock	Per MIL-STD-202, 30G half sine pulse, 11ms				
	Washing conditions	Washing with water or alcohol based detergent allowed only with final enough drying stage				
	Soldering conditions	Hand solder only –not reflow compatible . 260°C 10s (on pins)				
Full Package Storage	Relative humidity (%)	20% ~70%				
	Temperature (°C)	-10~35°C				

2. Mechanical Structure (mm)



PIN FUNCTION

PIN	NOTATION	FUNCTION
1	VC	Control Voltage
2	VREF	Reference Output Voltage
7	GND	GND
8	OUTPUT	RF Output
14	VCC	Supply Voltage

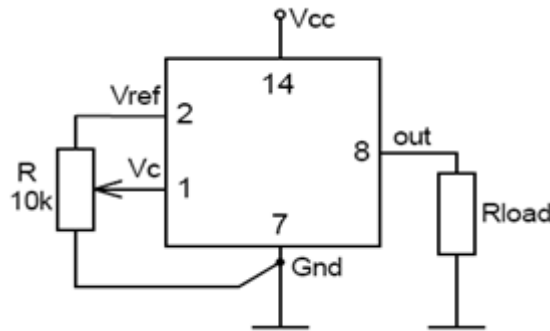


Note1: Tolerance ±0.20mm without mark

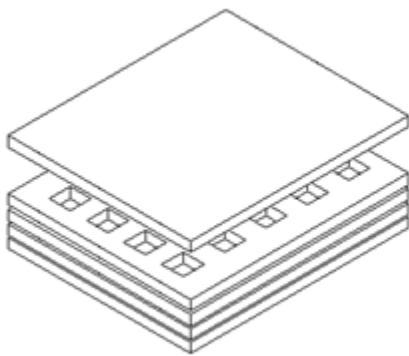
Note2: The first two xx representative: week
After two xx representative: year



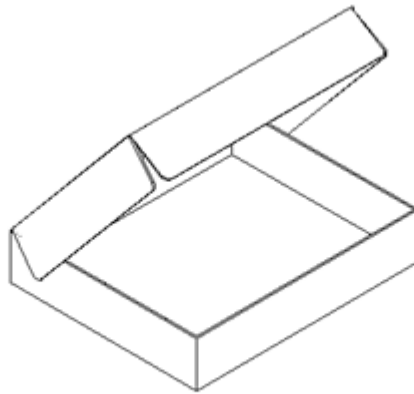
3. Test Circuit



4. Package(mm)



Buffer material



Cardboard
Max 20pcs. circulator

