

Travelling Merchant: _____

DATASHEET

Standard: DP7Q20000003X3223YF20002W1

Plot			The Label
Drew	Audited	Approved	Stamp, please! Thanks!
Date: 2014.11.11			

Guangdong Dapu Telecom Technology Co.,Ltd

Bldg13-16,N.Ind.Zone,SSL Industry Park, Dongguan City, Guangdong Province, China

TEL: 0086-0769-88010888 FAX: 0086-0769-81800098



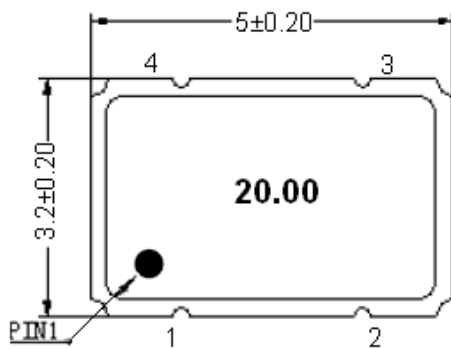
1、 Electrical Parameters

MODEL: DP7Q2000003								
No.	Parameters		SYM.	Electrical Spec.				Notes
				Min.	Typ.	Max.	Units	
1	Nominal Frequency		FL	20.00			MHz	
2	Supply Voltage		VDD	3.135	3.3	3.465	V	
3	Output Type		-	Clipped Sine wave				
4	Current Consumption		-	-	-	1.5	mA	With standard output load.
5	Output Level		-	0.8	-	-	Vp-p	
6	Standard Output Load		-	10kΩ // 10pF			-	
7	Frequency Stability	vs. Tolerance	-	-1.5	~	+1.5	$\times 10^{-6}$	@25±3°C Sixty minutes after reflow
8		vs. Temperature	-	-0.5	-	+0.5	$\times 10^{-6}$	@-30°C ~ +85°C
9			-	-2.0	-	+2.0	$\times 10^{-6}$	@-40°C ~ -30°C
10		vs. Load	-	-0.2	-	+0.2	$\times 10^{-6}$	
11		vs. Supply Voltage	-	-0.2	-	+0.2	$\times 10^{-6}$	
12	Operating Temperature Range		-	-40	~	+85	°C	
13	Storage Temperature		-	-40	~	+85	°C	
14	Duty Cycle		-	40	~	60	%	
15	Aging		-	-1	~	+1	$\times 10^{-6}$	PER YEAR (AT 25°C ± 5°C)
16	Start up time			-2	~	+2	ms	
17	Insulation Resistance		-	500	-	-	KΩ	
18	Frequency Tuning Range		-	-15	-	-9	$\times 10^{-6}$	V _c = 0.5 V. measurement referenced to V _c =1.5V
19			-	+9	-	+15	$\times 10^{-6}$	V _c =2.5V.measurement referenced to V _c =1.5V
20	Phase Noise	@ 1kHz offset	-	-	-	-130	dBc/Hz	
21	ESD Level		Human Body Model,class2: 2000V to 4000V; ANSI/ESDA/JEDEC JS-001-2010.					
			Machine Model, class B: 200V to 400V; ANSI/ESDA/JEDEC JS-001-2010.					

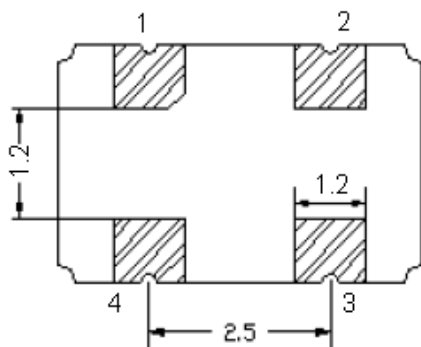
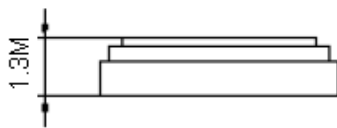


22	Moisture Sensitivity Level	Level 2.
23	Vibration	Test Condition: 0.75mm ;acceleration:10g;10Hz~2000Hz, one cycle per 30 min, test 2 hour. (3 times for each 3 directions X ,Y , Z) .IEC 68-2-06 Test Fc.
24	Shock	100g; 6ms; half sine wave (3 times for each 3 directions X ,Y , Z),IEC 68-2-27 Test Ea/Severity 50A.

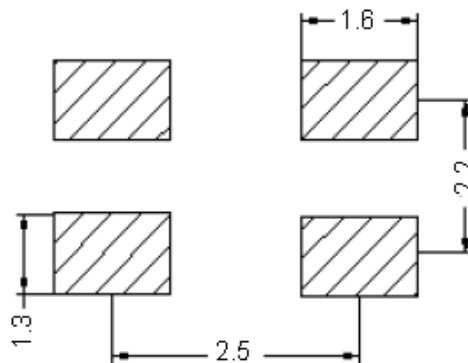
2、 Mechanical Structure(mm)



PIN	FUNCTION
1	VC
2	GND
3	OUTPUT
4	VCC



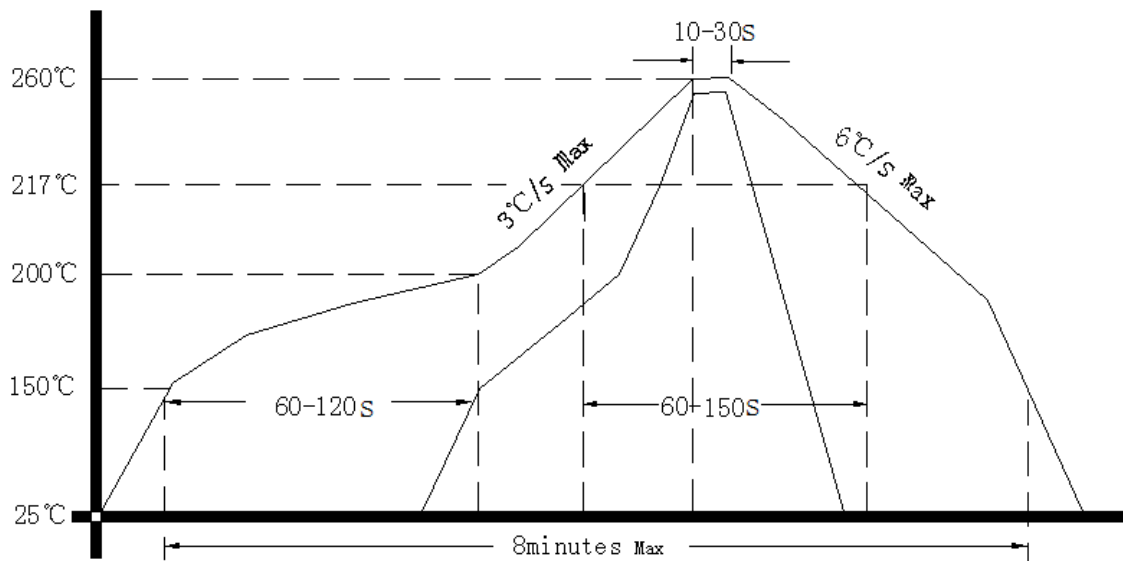
Recommended Land Pattern



Note1: Tolerance $\pm 0.2\text{mm}$



3、Reflow Soldering Curve (RoHS)



4、Package: Tape & Reel (mm)

