

Travelling Merchant: _____

DATASHEET

Standard: **O22A-M426-100.00MHz**

P/N: _____

Plot			The Label
Drew	Audited	Approved	Stamp, please! Thanks!
Date: 2014.06.23			

Guangdong Dapu Telecom Technology Co.,Ltd

Bldg13-16,.N.Ind.Zone,SSL Industry Park, Dongguan City, Guangdong Province, China

TEL: 0086-0769-88010888 FAX: 0086-0769-81800098



Table of amendment

Version	Revision contents	Prepared by	Revised date
1.0	The first issued	<i>Amway</i>	2014.06.23



1. Electrical Parameters

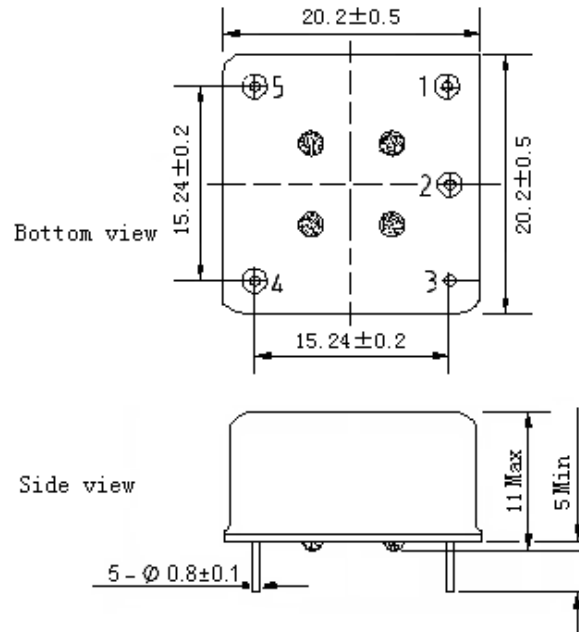
MODEL: O22A-M426-100.00MHz						
Item	Description	Parameters			Unit	Test Condition
		Min.	Typ.	Max.		
Output	Frequency	100.00			MHz	
	Output Waveform	Sine wave				
	Level	9			dBm	
	Load	50			Ω	
	Harmonics Suppression			-30	dBc	
	Spurious Suppression			-80	dBc	
Frequency Stabilities	Frequency Tolerance vs. Operating Temperature Range	-0.05		+0.05	$\times 10^{-6}$	T_A varied from -40°C to 70°C , measurement referenced to frequency observed with $f_{\text{ref}}=(f_{\text{max}}+f_{\text{min}})/2$, $V_{\text{cc}}=5.0\text{V}$, $V_c=2.5\text{V}$, $O_{\text{load}}=50\Omega$, temperature variable speed less than 2°C per minute.
	Initial Frequency Tolerance	-0.5		+0.5	$\times 10^{-6}$	Measurement referenced to frequency observed with $T_A=25^{\circ}\text{C} \pm 2^{\circ}\text{C}$, $V_{\text{cc}}=5.0\text{V}$, $V_c=2.5\text{V}$ and after 15 minutes of operation, within 30 days after ex-works.
	Aging Tolerance per day	-5		+5	$\times 10^{-9}$	V_{cc}, V_c, T_A constant Measurement referenced to frequency observed with
	Aging Tolerance 1 Year	-0.3		+0.3	$\times 10^{-6}$	$T_A=25^{\circ}\text{C}, V_{\text{cc}}=5.0\text{V}, V_c=2.5\text{V}, O_{\text{load}}=50\Omega$ and after 30 days of operation.
Power Supply	Supply Voltage	4.75	5.0	5.25	V	
	Current Consumption			250	mA	@ $25^{\circ}\text{C} \pm 2^{\circ}\text{C}$
	Current Consumption during warm up			600	mA	@ $25^{\circ}\text{C} \pm 2^{\circ}\text{C}$
Voltage Control Characteristics	Frequency Tuning Range			-0.5	$\times 10^{-6}$	$V_c=0\text{V}$. measurement referenced to $V_c=2.5\text{V}$.
		-0.5		+0.5	$\times 10^{-6}$	$V_c=2.5\text{V}$. measurement referenced to exactly 100.00MHz.
		+0.5			$\times 10^{-6}$	$V_c=5.0\text{V}$. measurement referenced to $V_c=2.5\text{V}$.
	Linearity			10	%	
	Slope	Positive				
	Input Impedance	100			$\text{K}\Omega$	



Phase Noise	Phase Noise @25°C		-140	-130	dBc/Hz	100Hz
			-165	-160		1KHz
			-170	-165		10KHz
			-170	-165		100KHz
Environmental Conditions	Operable Temperature	-40		+70	°C	
	Storage Temperature	-55		+85	°C	
	ESD Level	Human Body Model, class2: 2000V to 4000V; ANSI/ESDA/JEDEC JS-001-2010.				
		Machine Model, class B: 200V to 400V; ANSI/ESDA/JEDEC JS-001-2010.				
	Moisture Sensitivity Level	Not humidity sensitive.				
	Vibration	Test Condition: 0.75mm ;acceleration:10g;10Hz~500Hz, one cycle per 30 min, test 2 hour. (3 times for each 3 directions X ,Y , Z), IEC 68-2-06 Test Fc.				
Shock	50g; 11ms; half sine wave (3 times for each 3 directions X ,Y , Z),IEC 68-2-27 Test Ea/Severity 50A.					



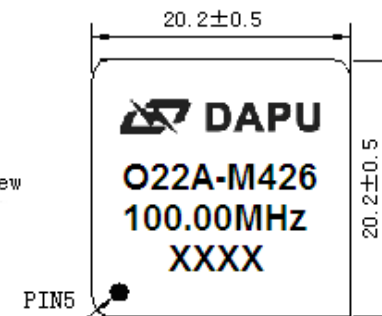
2. Mechanical Structure (mm)



PIN FUNCTION

PIN	FUNCTION
1	OUTPUT
2	GND
3	V _c
4	V _{ref} /NC
5	V _{cc}

Top view



Note1: Tolerance ±0.2mm without mark

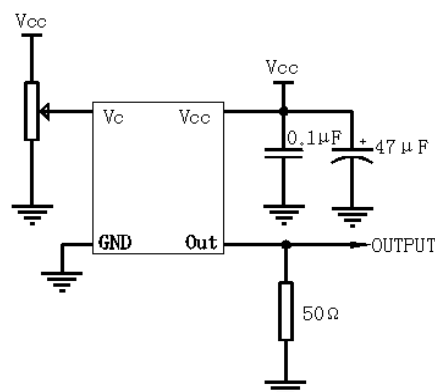
Note2: The first two xx representative: week

After two xx representative: year

Note3: Referential Weight 30g

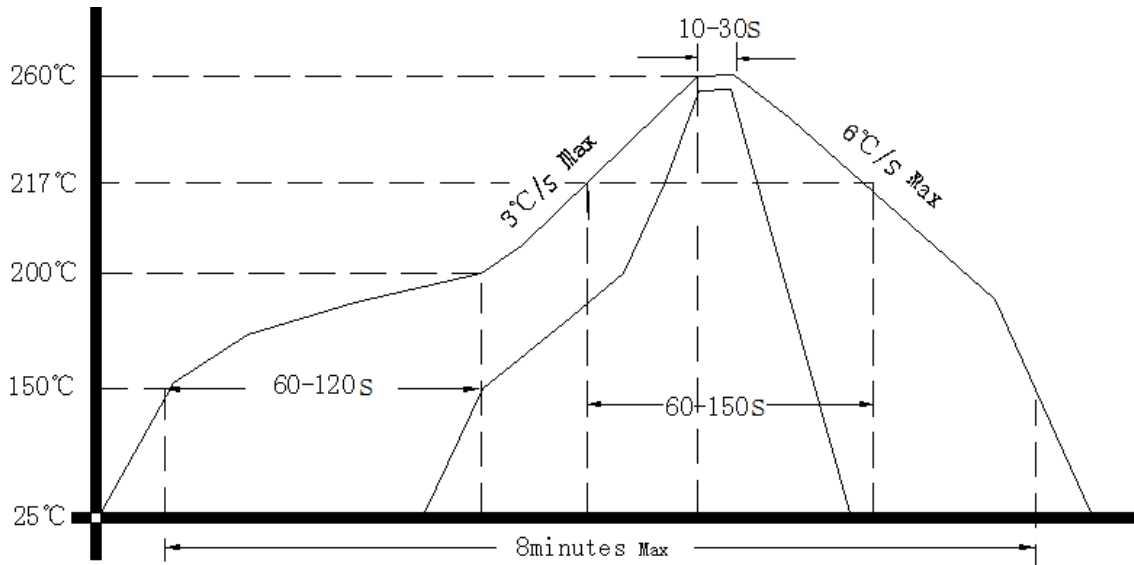
Note4: NC is not connect

3. Test Circuit





4. Reflow Soldering Curve (RoHS)



5. Package(mm)

