

Travelling Merchant: \_\_\_\_\_

# DATASHEET

Standard:           **V756-L315-40.00MHz**          

P/N: \_\_\_\_\_

Plot			The Label
Drew	Audited	Approved	Stamp, please! Thanks!
Date: 2014.03.03			

## Guangdong Dapu Telecom Technology Co.,Ltd

Bldg13-16,.N.Ind.Zone,SSL Industry Park, Dongguan City, Guangdong Province, China

TEL: 0086-0769-88010888    FAX: 0086-0769-81800098





## 1. Electrical Parameters

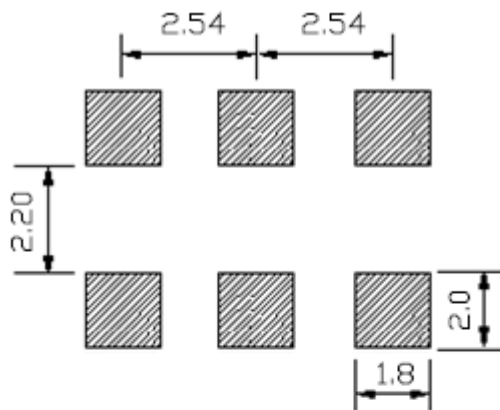
MODEL: V756-L315-40.00MHz						
Item	Description	Parameters			Unit	Test Condition
		Min.	Typ.	Max.		
Output	Frequency	40.00			MHz	
	Output Waveform	HCMOS				
	Output Low Voltage			0.33	V	$V_{cc}=3.3V, O_{load}=15\text{ pF}$
	Output High Voltage	2.97			V	$V_{cc}=3.3V, O_{load}=15\text{ pF}$
	Duty Cycle	45	50	55	%	@1.65V
	Rise / Fall Time (10%~90%)			6	ns	@25°C
	Load	15			pF	
	Start Time			10	ms	@3.135V
Frequency Stabilities	Frequency Tolerance vs. Operating Temperature Range	-25		+25	$\times 10^{-6}$	$T_A$ varied from -20°C to 75°C, measurement referenced to frequency observed with $T_A=25^\circ\text{C}$ , $V_{cc}=3.3V$ , $V_c=1.65V$ , $O_{load}=15\text{pF}$ , temperature variable speed less than 2°C per minute.
	Initial Frequency Tolerance	-15		+15	$\times 10^{-6}$	Measurement referenced to frequency observed with $T_A=25^\circ\text{C} \pm 3^\circ\text{C}$ , $V_{cc}=3.3V$ , $V_c=1.65V$ within 30 days after ex-works.
	Frequency Tolerance vs. Supply Voltage	-5		+5	$\times 10^{-6}$	measurement referenced to frequency observed $T_A=25^\circ\text{C}$ , $V_{cc}$ varied from 3.135V to 3.465V, $V_c=1.65V$ and $O_{Load}=15\text{pF}$ .
	Frequency Tolerance vs. Load	-5		+5	$\times 10^{-6}$	10% load change measurement referenced to frequency observed with $T_A=25^\circ\text{C}$ , $V_{cc}=3.3V$ , $V_c=1.65V$ , $O_{Load}=15\text{pF}$ .
	Aging Tolerance 1 Year	-5		+5	$\times 10^{-6}$	$T_A=25^\circ\text{C} \pm 5^\circ\text{C}$ , $V_{cc}=3.3V$ , $V_c=1.65V$ and after 1h of operation.
Power Supply	Current Consumption			25	mA	@25°C, $V_{cc}=3.3V$ , $V_c=1.65V$ , $O_{load}=15\text{pF}$ .
	Supply Voltage	3.135	3.3	3.465	V	



Voltage Control Characteristics	Frequency Tuning Range		-100	$\times 10^{-6}$	$V_c=0.15V$ . measurement referenced to $V_c=1.65V$	
		-15	+15	$\times 10^{-6}$	$V_c=1.65V$ . measurement referenced to exactly 40.00MHz	
		+100		$\times 10^{-6}$	$V_c=3.15V$ . measurement referenced to $V_c=1.65V$	
	Linearity		10	%		
	Slope	Positive				
	Input Impedance	1			M $\Omega$	
Phase Noise	Phase Noise @25°C		-120	-115	dBc/Hz	1KHz
Environmental Conditions	Operable Temperature	-20		+75	°C	
	Storage Temperature	-40		+85	°C	
	ESD Level	Human Body Model, class2: 2000V to 4000V; ANSI/ESDA/JEDEC JS-001-2010.				
		Machine Model, class B: 200V to 400V; ANSI/ESDA/JEDEC JS-001-2010.				
	Moisture Sensitivity Level	Level 2.				
	Vibration	Test Condition: 0.75mm; acceleration:10g;10Hz~2000Hz, one cycle per 30 min, test 2 hour. (3 times for each 3 directions X , Y , Z ) .IEC 68-2-06 Test Fc.				
Shock	100g; 6ms; half sine wave (3 times for each 3 directions X , Y , Z ),IEC 68-2-27 Test Ea/Severity 50A.					



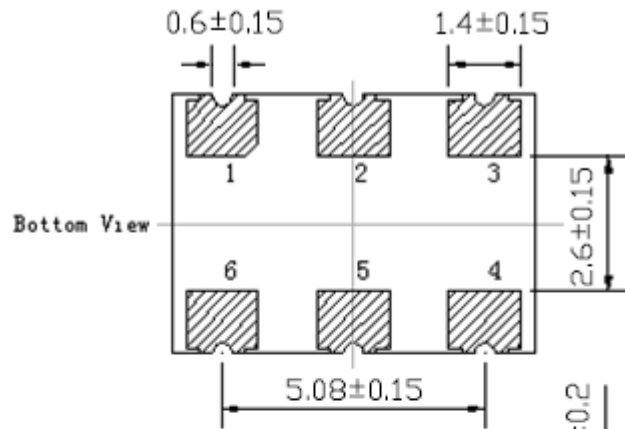
## 2. Mechanical Structure(mm)



Solder pad layout



Side View



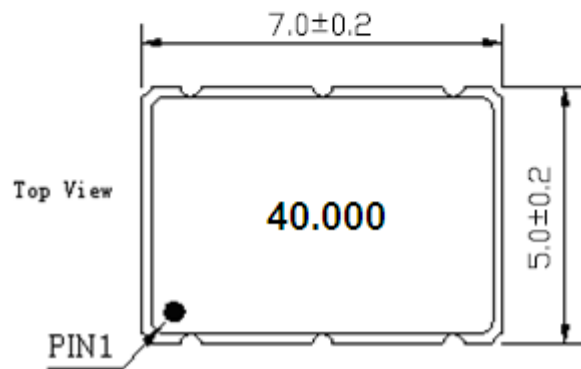
Bottom View



Front View

**PIN FUNCTION**

PIN	FUNCTION
1	VC
2	E/D (NC)
3	GND
4	OUTPUT
5	NC (E/D)
6	VCC



Top View

**Note1:** Tolerance  $\pm 0.1\text{mm}$  without mark

**Note2:** Referential Weight 0.3g

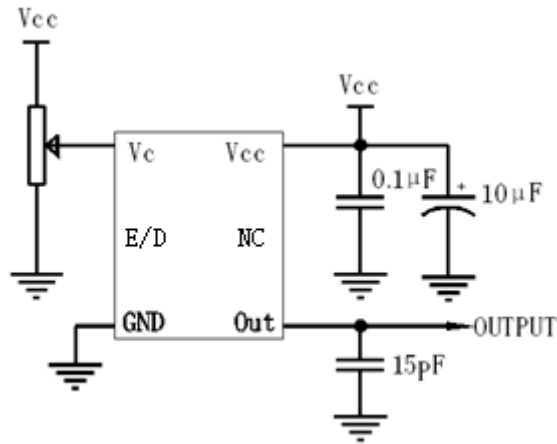
**Note3:** Disable:  $V_{il} \leq 0.5\text{V}$

Enable:  $V_{ih} \geq 2.8\text{V}$

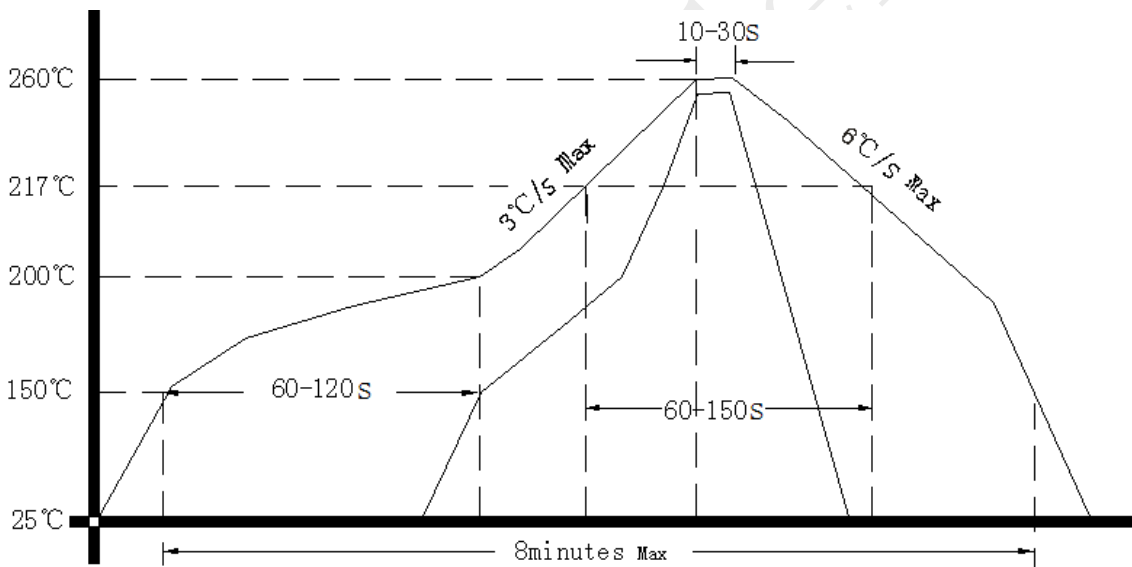
E/D	OUT
high level, open	data
low level	no data



### 3. Test circuit



### 4. Reflow Soldering Curve (RoHS)



### 5. Package: Tape & Reel (mm)

