

**Customer Code:** \_\_\_\_\_

# DATASHEET

**DAPU P/N: DPF3208M0000EM0ZEA0**

<b>DAPU</b>			<b>Customer Approval</b>
Drew	Audited	Approved	Stamp, please! Thanks!
Jieshu ZHENG	Jianhua LIN	Gangtao FENG	
Date:	2025/2/26		

## Guangdong Dapu Telecom Technology Co.,Ltd

Bldg 5, SSL Modern Enterprise Accelerator Zone, Dongguan City, Guangdong Province, PRC China  
TEL: 0086-0769-88010888 FAX: 0086-0769-81800098

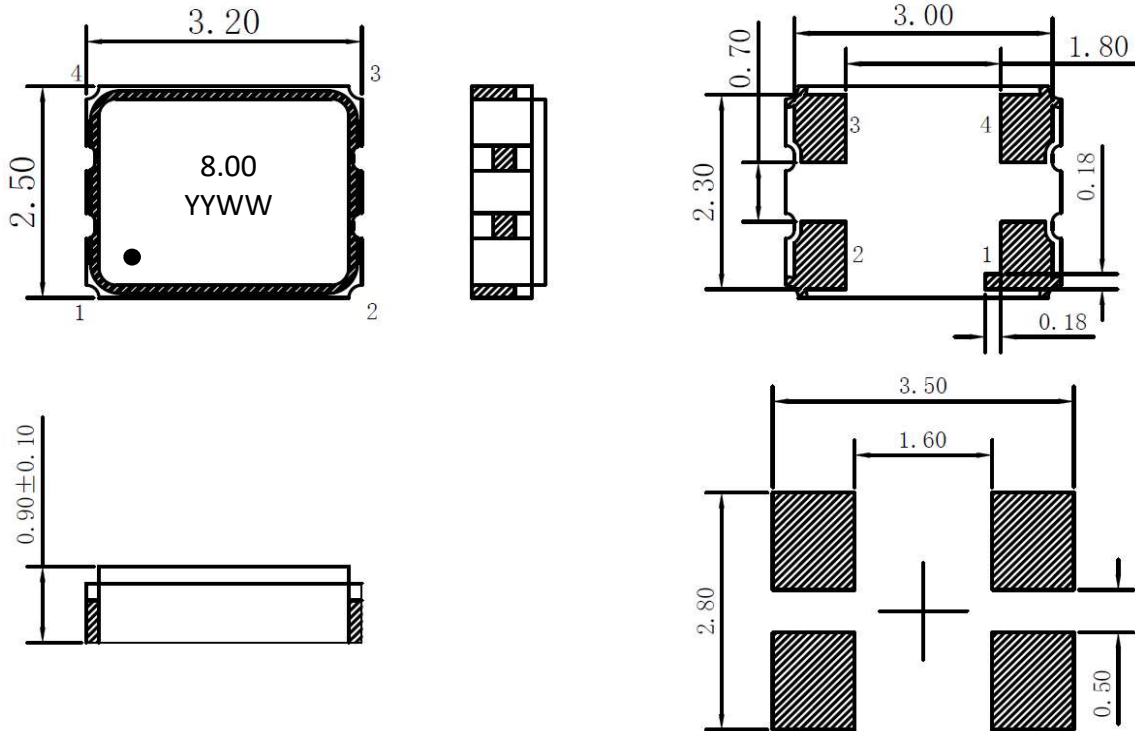


## 1. Electrical Parameter

MODEL:		DPF3208M0000EM0ZEA0					
No.	Parameters	SYM.	Electrical Spec.				Notes
			Min.	Typ.	Max.	Units	
1	Nominal Frequency	FL	8.000			MHz	
2	Oscillation Mode	-	Fundamental			-	
3	Frequency Tolerance	-	-2		2	ppm	At 25°C
4	Frequency Stability	-	-5		5	ppm	Over Operating Temperature Range, measurement referenced to frequency observed with $f_{ref}=(f_{max}+f_{min})/2$ .
5	Operating Temperature	Topr	-40		85	°C	
6	Storage Temperature	Tstg	-55		125	°C	
7	Supply Voltage	V <sub>DD</sub>	1.71		3.63	V	
8	Current consumption	I <sub>cc</sub>			8	mA	
9	Output waveform	-	CMOS			-	
10	Output Load	CL	15			pF	
11	Output Voltage High	V <sub>OH</sub>	0.9			V <sub>DD</sub>	
12	Output Voltage Low	V <sub>OL</sub>			0.1	V <sub>DD</sub>	
13	Rise Time	T <sub>r</sub>			5	ns	10% -90% V <sub>DD</sub> Level
14	Fall Time	T <sub>f</sub>			5	ns	90% -10% V <sub>DD</sub> Level
15	Aging	-	-1		1	ppm	First Year at 25°C
16	Tri-State Output Enable	-	0.7			V <sub>DD</sub>	Pin 1, OE
17	Tri-State Output Disable	-			0.3	V <sub>DD</sub>	Pin 1, OE
18	Duty Cycle	-	45~55			%	
19	Start-Up Time	T <sub>start</sub>			3	ms	Measured from the time V <sub>DD</sub> reaches its rated minimum value
20	Standard	-	-			-	

## 2. Mechanical Structure

### 2.1 Dimensions



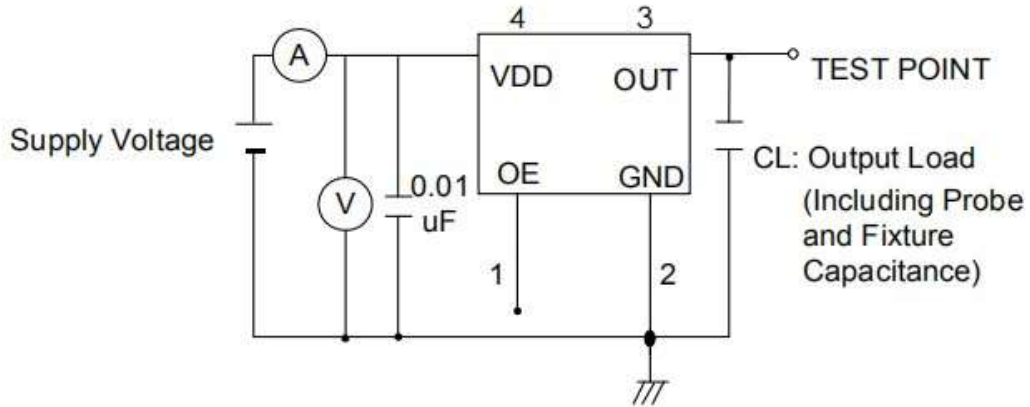
Note: The undimensioned tolerance is ±0.1mm.

PIN NAME	CONNECTION
PIN1	OE
PIN2	GND
PIN3	F <sub>OUT</sub>
PIN4	V <sub>CC</sub>

### 2.2 Marking Information

8.00:	Frequency 8.00MHz
YY:	Year
WW:	Week
● :	Pin1 Index

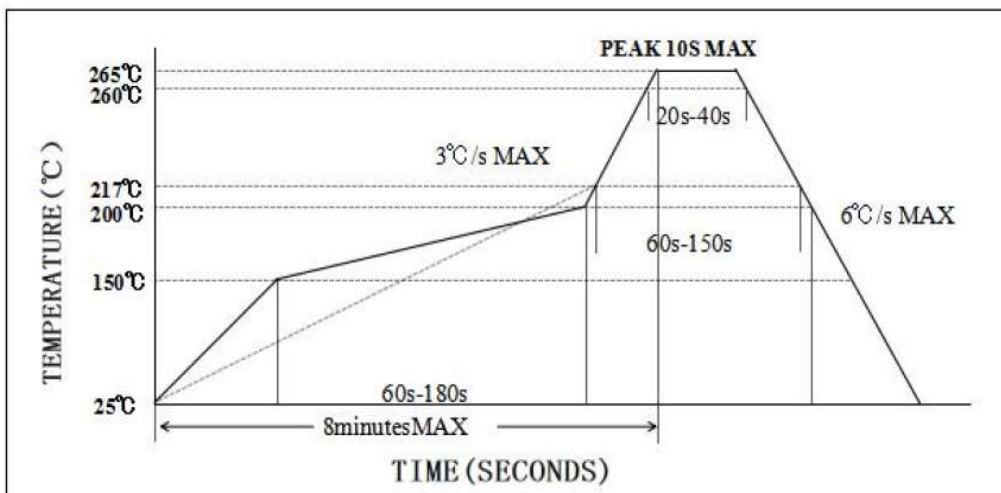
### 3. Test Circuit



Control input (output enable/disable)

Tri-State Pin	Output Pin
Logic 1 or open	Oscillator output
Logic 0	Disable output to high impedance

### 4. Reflow Soldering Curve (RoHS)



### 5. Package: Tape & Reel (mm)

