

Customer Code: _____

DATASHEET

DAPU P/N: T2520C-B5A9CD-38.40MHz-D0

| DAPU | | | Customer Approval |
|-----------------|----------------|-----------------|-------------------|
| Drew | Audited | Approved | |
| Jieshu ZHENG | Jianhua LIN | Gangtao FENG | |
| Date: | 2025/1/21 | | |

Stamp, please! Thanks!

Guangdong Dapu Telecom Technology Co.,Ltd

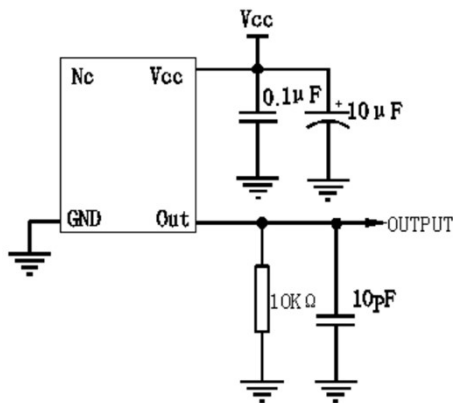
Bldg 5, SSL Modern Enterprise Accelerator Zone, Dongguan City, Guangdong Province, PRC China
TEL: 0086-0769-88010888 FAX: 0086-0769-81800098

1、Electrical Parameter

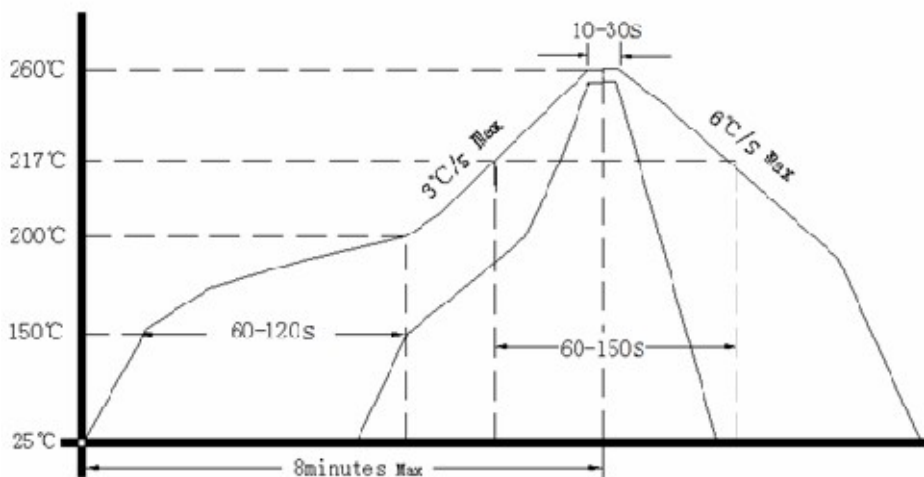
| MODEL: | | T2520C-B5A9CD-38.40MHz-D0 | | | | |
|-----------------------|------------------------|---------------------------|------|------|-------------------|---|
| No. | Description | Parameters | | | Units | Test Condition |
| | | Min. | Typ. | Max. | | |
| Output | Frequency | 38.400 | | | MHz | |
| | Output Waveform | Clipped Sine Wave | | | - | |
| | Output Level | 0.8 | | | V _{p-p} | |
| | Spurious Suppression | | | -8 | dBc | |
| | Load | 10KΩ//10pF | | | - | |
| Frequency Stabilities | Frequency Tolerance | -1 | | 1 | ×10 ⁻⁶ | @25±2°C |
| | vs. Temperature | -0.5 | | 0.5 | ×10 ⁻⁶ | T _A varied from -40°C to 85°C, measurement referenced to frequency observed with f _{ref} =(f _{max} +f _{min})/2, V _{CC} =3.3V, O _{load} =10KΩ//10pF, temperature variable speed less than 2°C per minute. |
| | vs. Supply Voltage | -0.1 | | 0.1 | ×10 ⁻⁶ | measurement referenced to frequency observed T _A =25°C, V _{cc} =3.3±5%, and O _{Load} =10KΩ//10pF. |
| | vs. Load | -0.1 | | 0.1 | ×10 ⁻⁶ | 10% load change measurement referenced to frequency observed with T _A =25°C, V _{cc} =3.3V, and O _{Load} =10KΩ//10pF. |
| | vs. Reflow Soldering | -1 | | 1 | ×10 ⁻⁶ | @25±2°C, 2H, after 2 times reflow soldering. |
| | Aging Tolerance 1 Year | -1 | | 1 | ×10 ⁻⁶ | T _A =25°C, V _{cc} =3.3V, and after 1h of operation. |
| | Clock Drift | -15 | | 15 | ppb/s | -40~85°C, 0.17°C/s |
| | Frequency Slope | -0.1 | | 0.1 | ppm/°C | TA varied from -40°C to 85°C |
| Power Supply | Current consumption | | | 2.5 | mA | @25°C, V _{cc} =3.3V, O _{Load} =10KΩ//10pF. |
| | Start up Time | | | 2 | ms | More than 90% of final output voltage |
| | Supply Voltage | 1.71 | 3.30 | 3.63 | V | |
| SSB Phase Noise | Phase Noise@25±2°C | | | -50 | dBc/Hz | 1Hz |
| | | | | -83 | | 10Hz |
| | | | | -113 | | 100Hz |
| | | | | -138 | | 1KHz |
| | | | | -145 | | 10KHz |
| | | | | -153 | | 100KHz |
| | | | | -155 | | 1MHz |

| | | | | | | |
|--------------------------|--|--|--|-----|----|--|
| Environmental Conditions | Operable Temperature | -40 | | 85 | °C | |
| | Storage Temperature | -55 | | 105 | °C | |
| | ESD Level | Human Body Model, class 2: 2000V to 4000V; ANSI/ESDA/JEDEC JS-001-2010. | | | | |
| | | Machine Model, class B: 200V to 400V; JEDEC JESD22-A115C. | | | | |
| | Moisture Sensitivity Level | Level 3. | | | | |
| | Vibration | Test Condition: 0.75mm ;acceleration:10g;10Hz~2000Hz, one cycle per 30 min, test 2 hour. (3 times for each 3 directions X ,Y, Z) .IEC 68-2-06 Test Fc. | | | | |
| Shock | 100g; 6ms; half sine wave (3 times for each 3 direction s X ,Y, Z), IEC 68-2-27 Test Ea/Severity 50A. | | | | | |
| Full Package Storage | Relative humidity (%) | 20%~70% | | | | |
| | Temperature (°C) | -10~35°C | | | | |

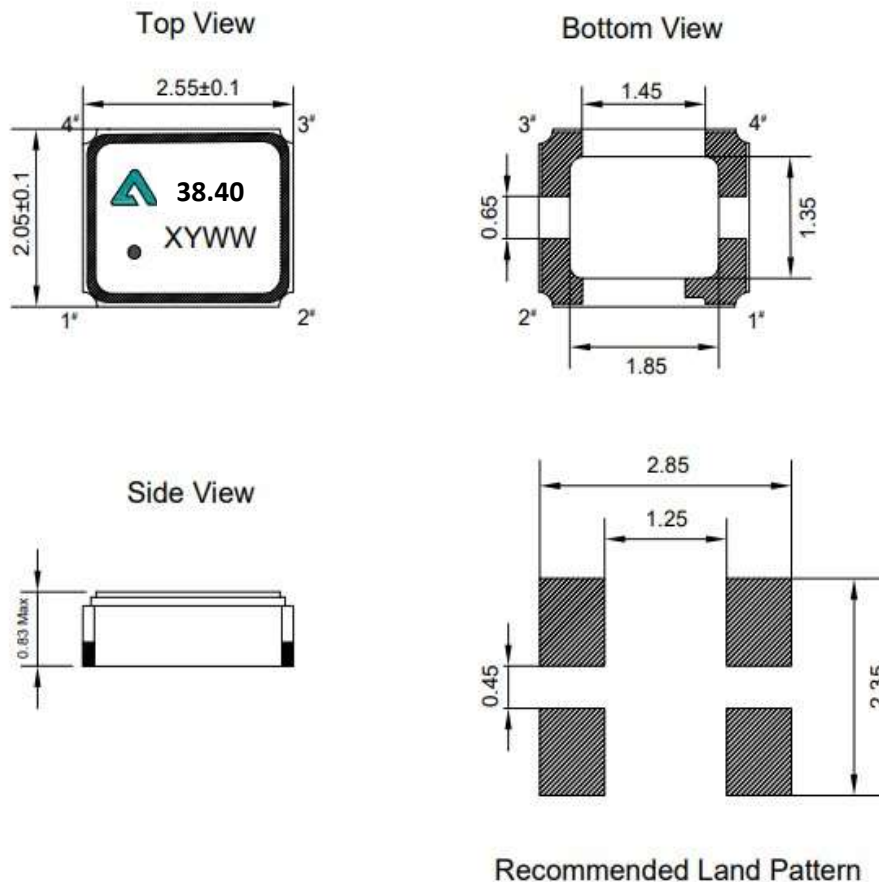
2、 Test Circuit



3、 Reflow Soldering Curve (RoHS)





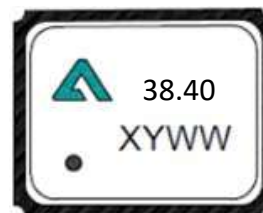
4、 Mechanical Structure(mm)



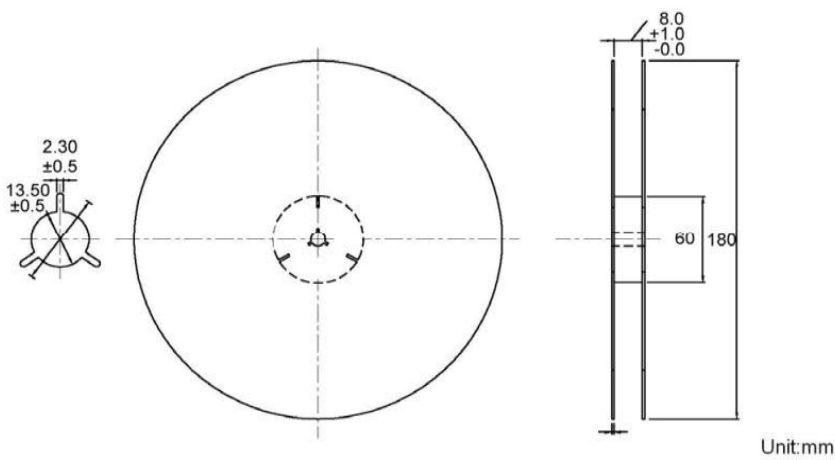
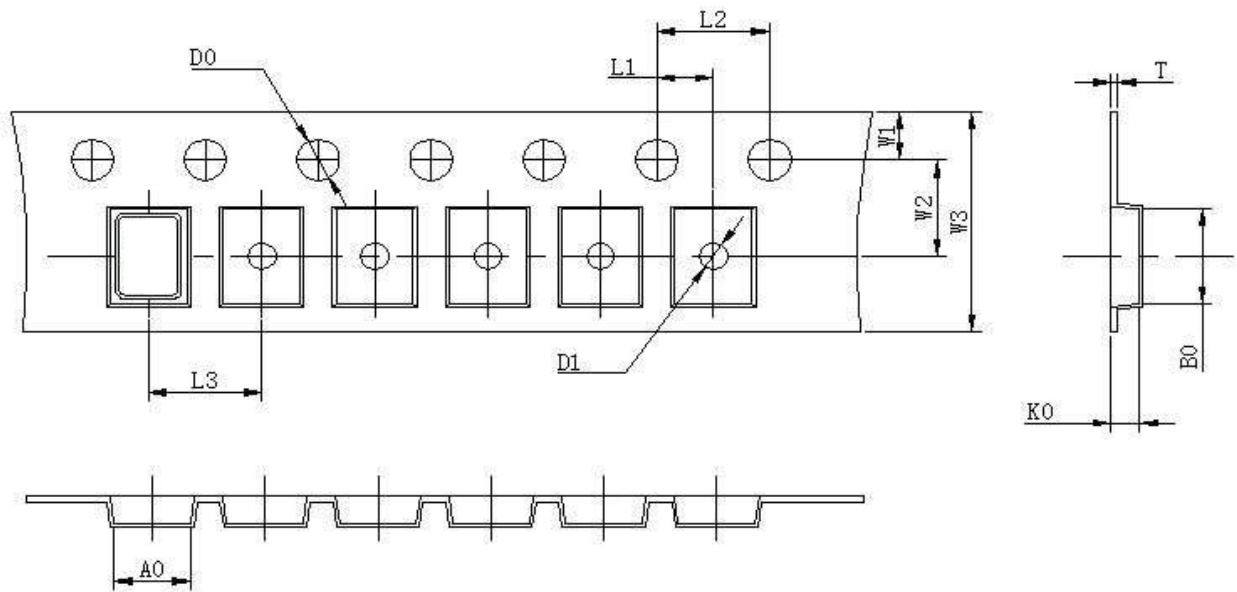
| PIN NAME | CONNECTION |
|----------|-------------------------------|
| PIN1 | NC (No electrical connection) |
| PIN2 | GND |
| PIN3 | F _{OUT} |
| PIN4 | VCC |

5、 Marking Information

| | |
|---|--------------------|
| 38.40: | Frequency 38.40MHz |
|  : | DAPU Logo |
| X: | Lot No. |
| Y: | Year |
| WW: | Week |
|  : | Pin1 Index |



6、 Packing Information



| | |
|----|------------|
| L1 | 2.00 ±0.1 |
| L2 | 4.00 ±0.1 |
| L3 | 4.00 ±0.1 |
| D0 | 1.55 ±0.05 |
| D1 | 1.20 ±0.5 |
| W1 | 1.75 ±0.1 |
| W2 | 3.50 ±0.1 |
| W3 | 8.00 ±0.2 |
| A0 | 2.25 ±0.1 |
| B0 | 2.7 ±0.1 |
| K0 | 1.45 ±0.1 |
| T | 0.25 ±0.05 |