

Customer Code: _____

DATASHEET

DAPU P/N: DPA2224M5760AH1GEA0

DAPU			Customer Approval
Drew	Audited	Approved	
Jieshu ZHENG	Jianhua LIN	Gangtao FENG	
Date:	2024/12/18		
			Stamp, please! Thanks!

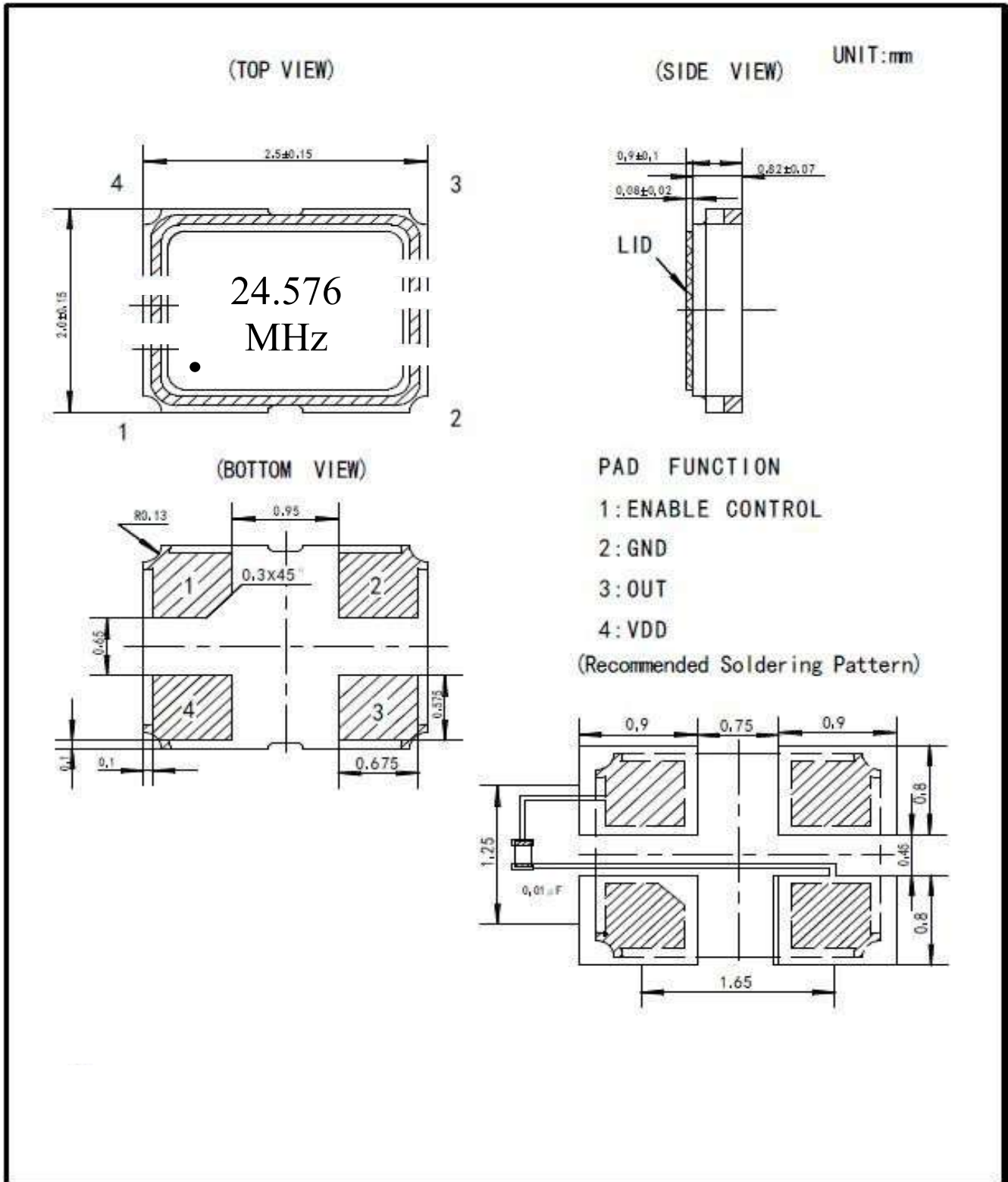
Guangdong Dapu Telecom Technology Co.,Ltd

Bldg 5, SSL Modern Enterprise Accelerator Zone, Dongguan City, Guangdong Province, PRC China
TEL: 0086-0769-88010888 FAX: 0086-0769-81800098

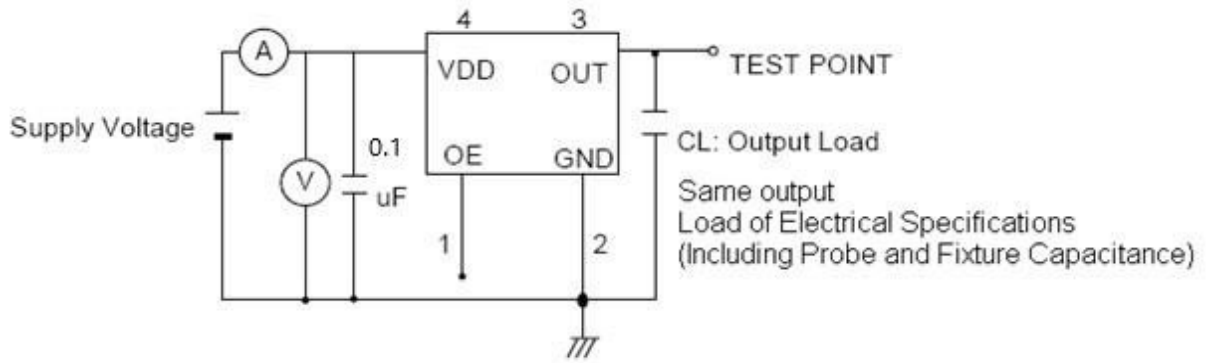
1、Electrical Parameter

MODEL :		DPA2224M5760AH1GEA0					
No.	Parameters	SYM.	Electrical Spec.				Notes
			Min.	Typ.	Max.	Units	
1	Nominal Frequency	FL	24.576			MHz	
2	Oscillation Mode	-	Fundamental			-	
3	Total Stability	-	-50		50	ppm	Frequency tolerance@25°C and frequency stability vs. operating temperature range and voltage variance.
4	Operating Temperature	Topr	-40		105	°C	
5	Storage Temperature	Tstg	-55		125	°C	
6	Supply Voltage	VDD	2.97	3.3	3.63	V	
7	Input Current	Icc			8	mA	
8	Output waveform	-	CMOS			-	
9	Output Load	CL	15			pF	
10	Output Voltage High	VOH	0.9			V _{DD}	
11	Output Voltage Low	VOL			0.1	V _{DD}	
12	Rise Time	Tr			5	ns	10% -90% V _{DD} Level
13	Fall Time	Tf			5	ns	90% -10% V _{DD} Level
14	Aging	-	-5		5	ppm	First Year at 25°C
15	Tri-State Output Enable	-	0.7			V _{DD}	Pin 1, OE or ST
16	Tri-State Output Disable	-			0.3	V _{DD}	Pin 1, OE or ST
17	Duty Cycle	-	45~55			%	
18	Start-Up Time	Tstart			3	ms	Measured from the time V _{DD} reaches its rated minimum value.
19	RMS Jitter	-			1	ps	12kHz to 20MHz

2、Mechanical Structure



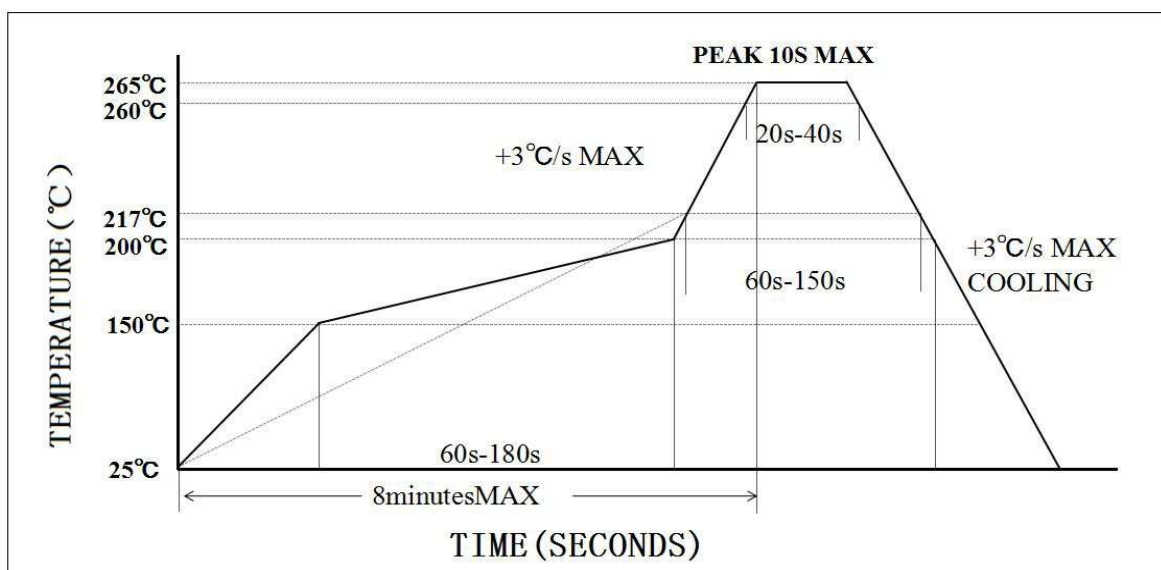
3、 Test Circuit



Control input (output enable/disable)

Tri-State Pin	Output Pin
Logic 1 or open on pad 1	Oscillator output
Logic 0 on pad 1	Disable output to high impedance

4、 Reflow Soldering Curve (RoHS)



5、 Package: Tape & Reel (mm)

