

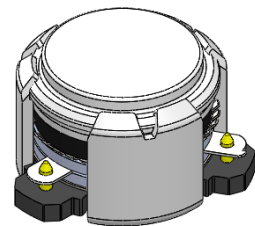


DP0781C

ENG PART:DP-10.2CM-5925T6125-CW

5925MHz to 6125MHz Single-Junction Surface Mount Circulator

REV.	DESCRIPTION	REVISOR	DATE	APPROVED
A	Creating datasheet	ZC.Wu	2021/12/9	DP.Zhang
B	Changed size from 7mm to 10.2mm	ZC.Wu	2021/12/13	DP.Zhang
C	Update the spec.	ZC.Wu	2022/12/15	KL.Wang

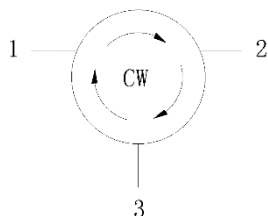


Applications:

- Wireless Infrastructure
- Power Amplifier

Features:

- Operating frequency range: 5925MHz to 6125MHz
- Operating temperature range: -40°C to +85°C
- Storage temperature range: -55°C to +125°C
- Small surface-mount package delivered on T&R
- BeOfree&RoHS compliant



Block Diagram



Electrical Specifications:

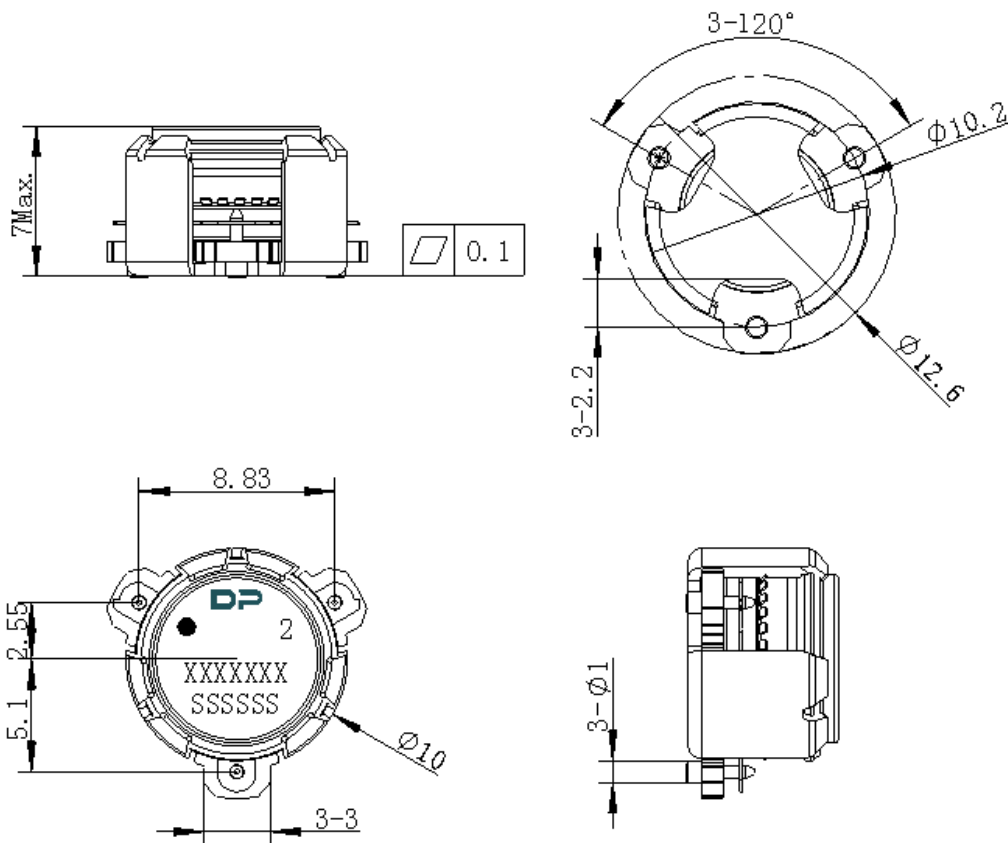
ITEM	SPECIFICATION	
Frequency	5925~6125	MHz
Direction	CW	
Impedance	Typ: 50	Ω
Insertion Loss (Max.)	0.25@25°C \pm 5°C 0.30@-40°C ~ +85°C	dB
Isolation (Min.)	25@25°C \pm 5°C 21@-40°C ~ +85°C	dB
Return Loss (Min.)	25@25°C \pm 5°C 21@-40°C ~ +85°C	dB
3rd IMD (Max.)	-60@2x2.5w tones spacing 1MHz	dBc
Group delay	3	ns
2nd harmonic attenuation	10	dB
3rd harmonic attenuation	10	dB
Power FWD/REV/PEAK	20/20/100	W

Notes:

1. Exposure to maximum rating conditions for extended periods may reduce device reliability. There is no damage to device with only one parameter set at the limit and all other parameters set at or below their nominal value. Exceeding any of the limits listed here may result in permanent damage to the device.
2. Performance is guaranteed under the conditions listed in this table and over the operating temperature range.



3. Mechanical Specifications:



Unit: Millimeters

Notes:

1. The housing and pins are silver-plated.
2. Tolerance ± 0.2 mm unless otherwise specified.
3. Co-planarity Specification: 0.1mm maximum.
4. Part Number, Lot Code, and Port Designation are printed on the top side of device.
5. The **XXXXXXX** on the label represents the part number
6. The **SSSSSS** on the label represents the serial number
7. The black dot on the label represents the input port



Packaging Style:

ITEM	W	A0	B0	C0	K0	D	E	F	F2	P	P0	P2	T
DIM	32	Φ10.4	12.5	4	7.0	Φ1.5	1.75	14.2	28.5	24	4	2	0.5
TOLE	±0.3	±0.2	±0.2	±0.2	±0.2	+0.1	±0.1	±0.15	±0.1	±0.1	±0.1	±0.1	±0.05

