

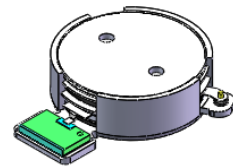


DP2449S

ENG PART: DP-27.28-IM-1805T1880-CW

1805MHz to 1880MHz Single-Junction Surface Mount Isolator

REV.	DESCRIPTION	REVISOR	DATE	APPROVED
A	SAME AS REV.1	ZZ.Zhu	2023/4/21	Nick

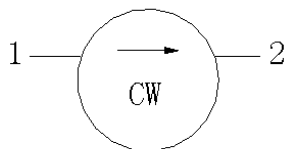


Applications:

- Wireless Infrastructure
- Power Amplifier

Features:

- Operating frequency range: 1805MHz to 1880MHz
- Operating temperature range: -40°C to +125°C
- Storage temperature range: -65°C to +155°C
- Small surface-mount package delivered on T&R
- BeOfree&RoHS compliant



Block Diagram



Electrical Specifications:

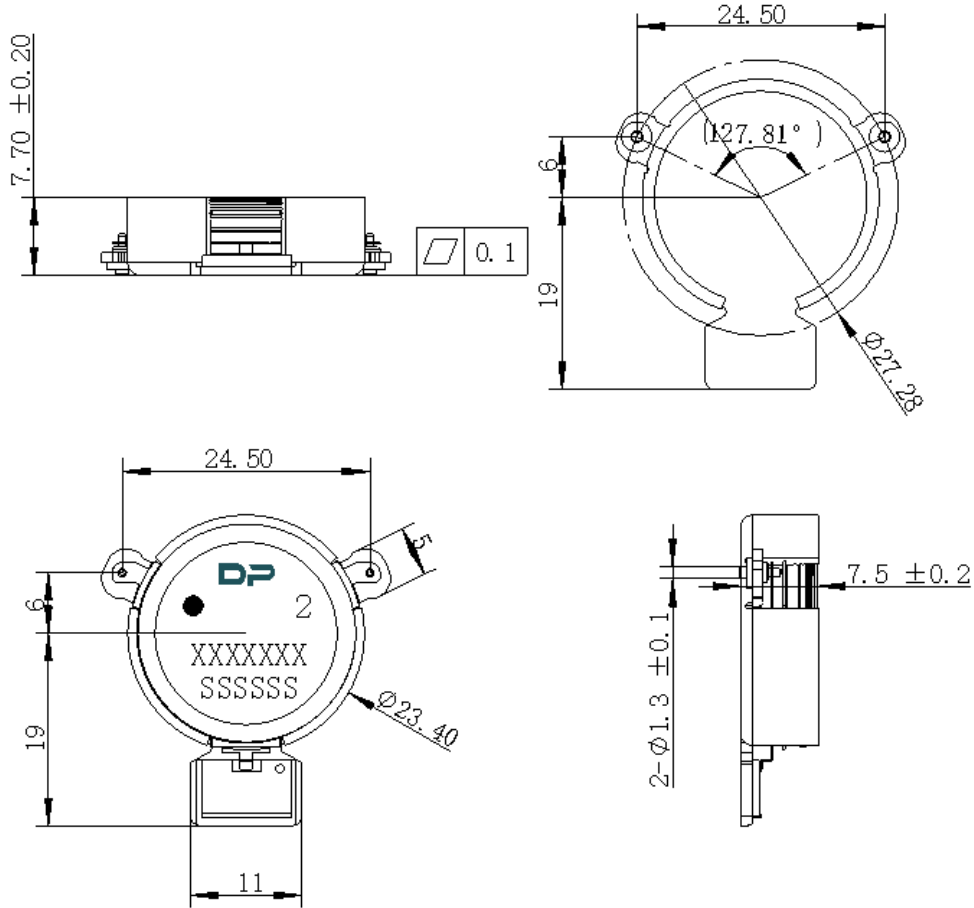
ITEM	SPECIFICATION	
Frequency	1805~1880	MHz
Direction	CW	
Impedance	Typ: 50	Ω
Insertion Loss (Max.)	0.17@25±10℃ 0.20@-40~+125℃	dB
Isolation (Min.)	26 Typ28	dB
Return Loss (Min.)	25	dB
3rd IMD (Max.)	-78@2*100W CW,Spacing 1MHz(25±10℃) -75@2*100W CW,Spacing 1MHz (-40~+125℃)	dBc
Extend frequency	1655~2030	MHz
Group delay	2.0	ns
Ripple of group delay in extend frequency	2.0	ns
Isolationof extend frequency	13	
2nd harmonicsuppression	20	dBc
3rd harmonicsuppression	10	dBc
Power FWD/REV/PEAK	200/150 (housing temperature 210 ℃,time 10 minutes) /1600	W
Termination/Attenuator	150/-	W/dB
Input Impedance ,real	+45.5~+53.5	Ω
Input Impedance ,imaginary	-4.5j~+4.5j	Ω
Output Impedance ,real	+45.5~+53.5	Ω
Output Impedance ,imaginary	-4.5j~+4.5j	Ω
Resonance point of out-off-band	1605MHz~2080 MHz	

Notes:

1. Exposure to maximum rating conditions for extended periods may reduce device reliability. There is no damage to device with only one parameter set at the limit and all other parameters set at or below their nominal value. Exceeding any of the limits listed here may result in permanent damage to the device.
2. Performance is guaranteed under the conditions listed in this table and over the operating temperature range.
3. Performance will not degrade by > 10% (Insertion loss > 20%) with an operating temperature up to 130 °C.



Mechanical Specifications:



Unit: Millimeters

Notes:

1. The housing and pins are silver-plated.
2. Tolerance ± 0.2 mm unless otherwise specified.
3. Co-planarity Specification: 0.1 mm maximum.
4. Part Number, Lot Code, and Port Designation are printed on the top side of device.
5. Part Number format shall be XXXXXX
6. Serial Number format shall be SSSSSS
7. The black dot on the label represents the input port