

Travelling Merchant: _____

DATASHEET

Standard: **T21-F319-25.00MHz**

P/N: _____

Plot			The Label
Drew	Audited	Approved	Stamp, please! Thanks!
Date: 2023.08.18			

Guangdong Dapu Telecom Technology Co.,Ltd

Building 5, No.24, Industrial East Road, Songshanhu Park, Dongguan, Guangdong, P.R. China

TEL: 0086-0769-88010888 FAX: 0086-0769-81800098



Table of amendment

Version	Revision contents	Prepared by	Revised date
1.0	The first issued	<i>Amway</i>	2022.11.04
1.1	The “Mechanical Structure” changed	<i>Amway</i>	2023.08.14
1.2	The “Mechanical Structure” “Frequency Stabilities” changed	<i>Amway</i>	2023.08.15

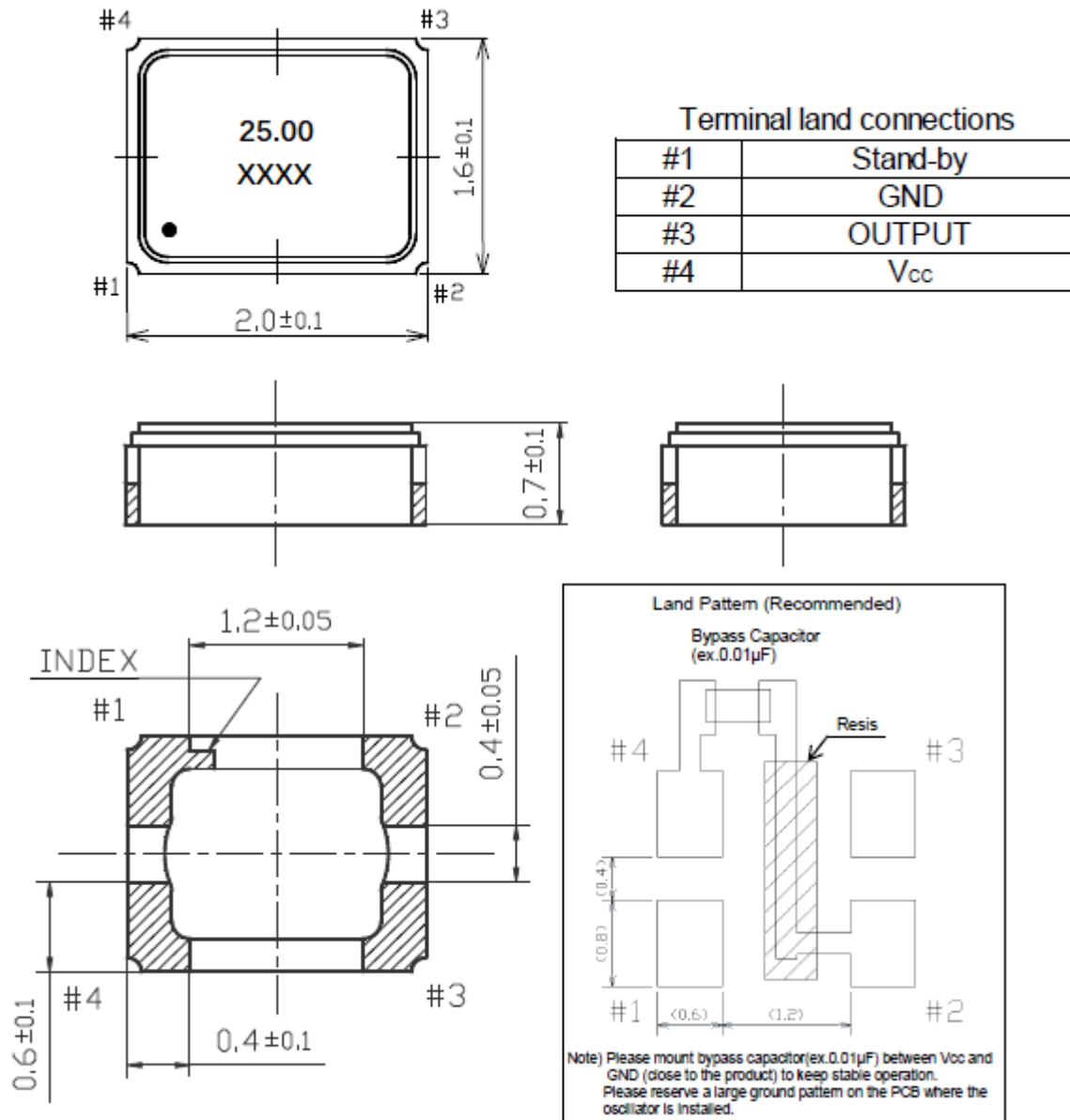


1. Electrical Parameters

MODEL: T21-F319-25.00MHz						
Item	Description	Parameters			Unit	Test Condition
		Min.	Typ.	Max.		
Output	Frequency	25.00			MHz	
	Output Waveform	CMOS				
	Low Level			V _{cc} *0.1	V	
	High Level	V _{cc} *0.9			V	
	Start up time			3	ms	@ 90% of final output voltage
	Rise/Fall time			5	ns	V _{cc} *0.1~V _{cc} *0.9
	Load			15	pF	
Input OE	Output enable time			3	ms	
	Output disable time			150	ns	
	Enable input	V _{cc} *0.8			V	Operation
	Disable input			V _{cc} *0.2	V	Stand-by
Frequency Stabilities	Frequency Tolerance	-1.5		+1.5	× 10 ⁻⁶	Ref.to nominal frequency, leave after reflow in 8H or more at room ambient.
	vs. Temperature Range	-3		+3	× 10 ⁻⁶	T _A = -30°C~+85°C
	Frequency Tolerance vs. Supply Voltage	-0.3		+0.3	× 10 ⁻⁶	5% Voltage change measurement referenced to frequency observed T _A =25°C, and O _{Load} =10KΩ//10pF.
	Aging Tolerance 1 Year	-1		+1	× 10 ⁻⁶	T _A =25°C, V _{cc} =3.3V, and after 1h of operation.
	Operable Temperature	-30		+85	°C	
	Storage Temperature	-40		+85	°C	
Power Supply	Operating Current			5	mA	@25°C, V _{cc} =3.3V.
	Stand-by Current			10	μA	#1 pin low level
	Supply Voltage	3.135	3.3	3.465	V	



2. Mechanical Structure(mm)

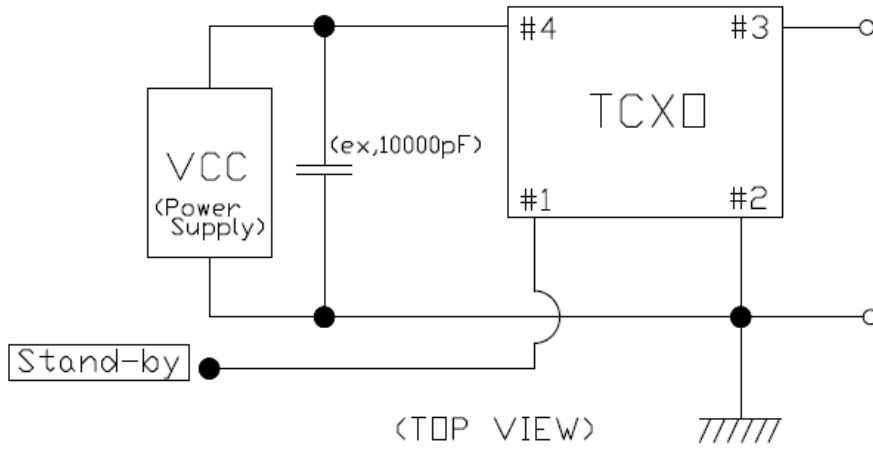


Note1: The first two XX represent the year and the last two XX represent the week.

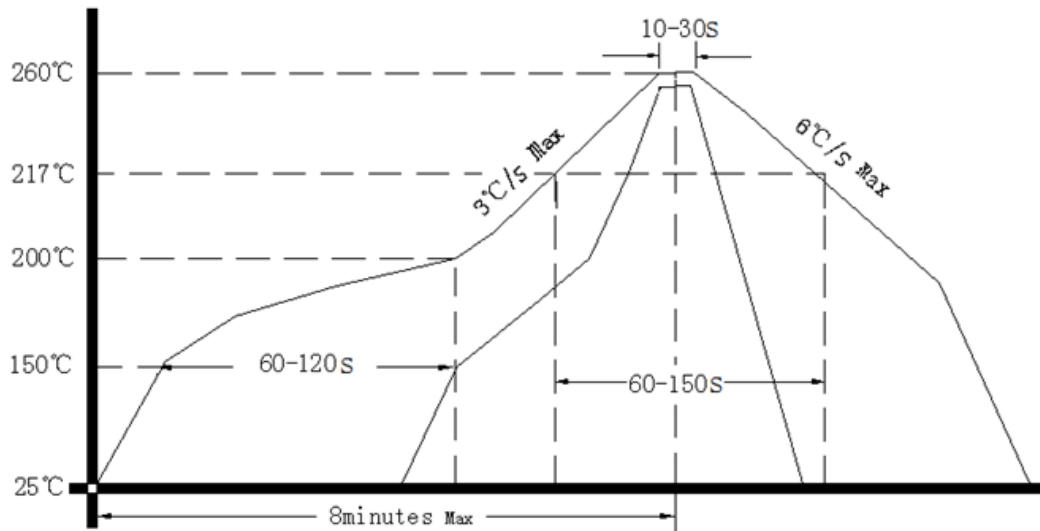
Note2: Tolerance ± 0.2 mm without mark



3. Test Circuit



4. Reflow Soldering Curve (RoHS)



5. Package: Tape & Reel (mm)

