

Travelling Merchant: \_\_\_\_\_

# DATASHEET

Standard: DP8W2500005

Plot			The Label
Drew	Audited	Approved	Stamp, please! Thanks!
Date: 2021.09.09			

## Guangdong Dapu Telecom Technology Co.,Ltd

Building 5, No.24, Industrial East Road, Songshanhu Park, Dongguan, Guangdong, P.R. China

TEL: 0086-0769-88010888 FAX: 0086-0769-81800098

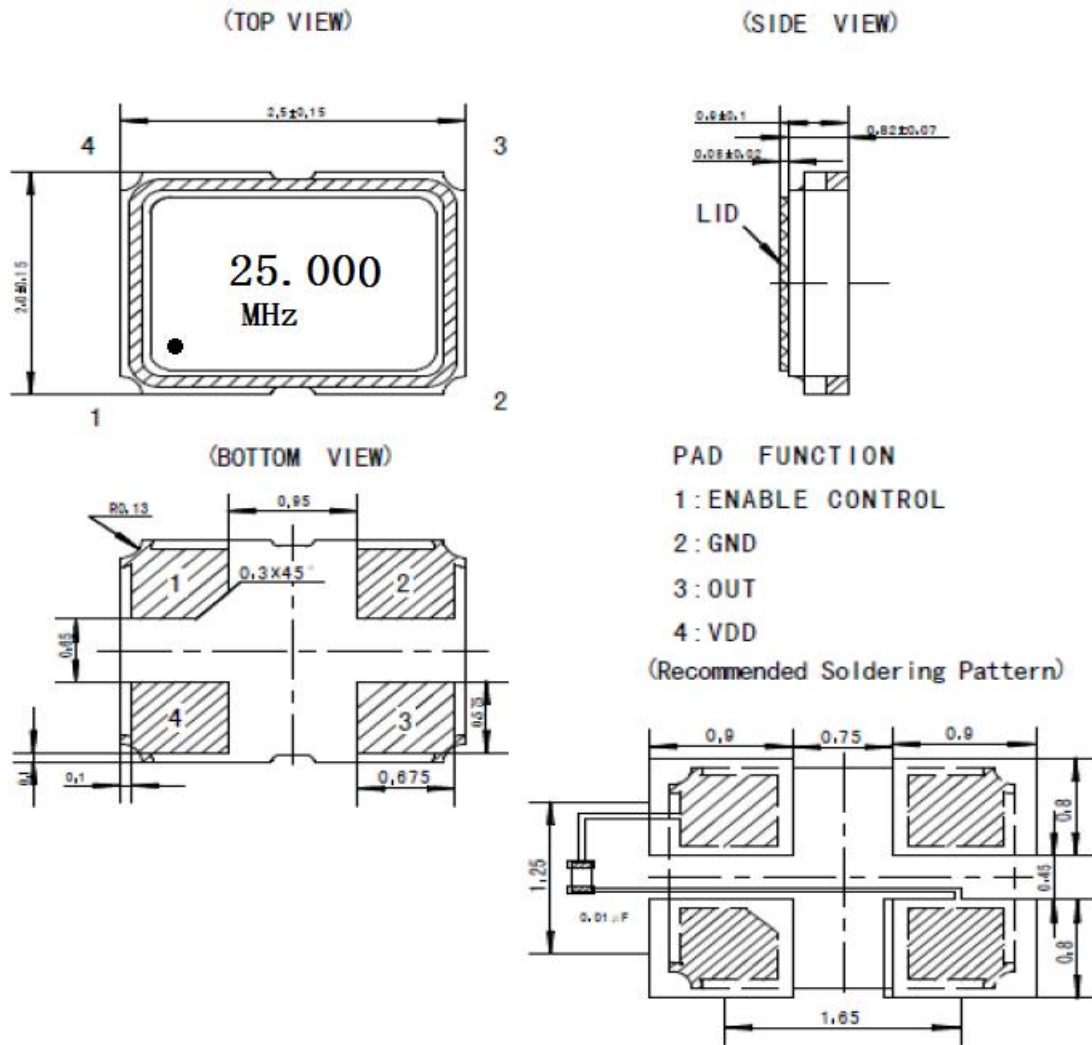


## 1. Electrical Parameters

MODEL: DP8W25000005							
No.	Parameters	SYM.	Electrical Spec.				Notes
			Min.	Typ.	Max.	Units	
1	Nominal Frequency	FL	25.00			MHz	
2	Frequency Stability	-	-50		+50	$\times 10^{-6}$	Frequency tolerance@25°C and frequency stability vs. operating temperature range and voltage variance
3	Operating Temperature	TA	-40	25	85	°C	
4	Storage Temperature	TSTG	-55		125	°C	
5	Start up time				3	ms	
6	Supply Current	Icc			8	mA	
7	Supply Voltage	Vcc		3.3		V	
8	Max supply voltage range	Vcc	-0.5	-	6.0	V	
9	Output Load: CMOS	CL		15		pF	
10	Input Voltage "L"	V <sub>IL</sub>		-	0.3Vcc	V	
11	Input Voltage "H"	V <sub>IH</sub>	0.7Vcc	-		V	
12	Onput Voltage "L"	V <sub>OL</sub>			0.1Vcc	V	
13	Onput Voltage "H"	V <sub>OH</sub>	0.9Vcc			V	
14	Rise& Fall Time	Tr/ Tf	-	-	5	ns	CL=15pF ,10-90% Vcc level
15	Supply Variation		-2		+2	$\times 10^{-6}$	Vcc+/-5%
16	Load Variation		-1		+1	$\times 10^{-6}$	CL+/-5%
17	Aging		-3		+3	$\times 10^{-6}$	
18	Symmetry (Duty ratio)	SYM	45		55	%	CL=15pF,Vc=1/2Vcc
19	Jitter	RMS			1	ps	12KHz-20MHz
20	Enable/disable function	Logic "1" Or Floating Input, Outputs enable; Logic "0", Outputs disable					



## 2. Mechanical Structure(mm)



## 3. Package: Tape & Reel (mm)

