

# 5mm SMD ISOLATOR

RF component

Datasheet Rev.:           B            
Date:           2022.06.30          

**Customer:**

**Product Name:**

DP-IL0520A2350-J3

DP-IL0520B2350-J3

**Customer P/N:**



GuangdongDapuTelecomTechnologyCo.,Ltd Building5, No.24, Gongye East Road,  
<http://www.dptel.com> SSL Sci & Tech Industry Park,  
Dongguan, Guangdong, China  
TEL: 0086-0769-88010888  
FAX: 0086-0769-81800098

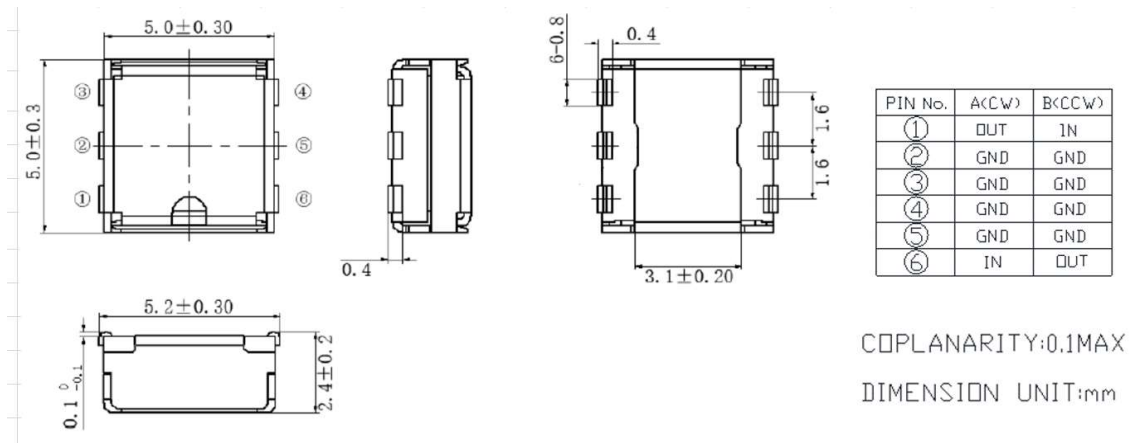
Approved	Checked	Designer
Nick	Wison	ZC.Wu

# 5mm SMD ISOLATOR

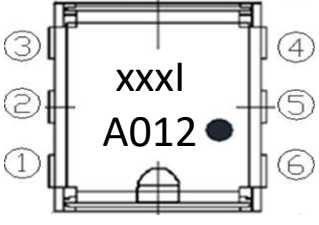
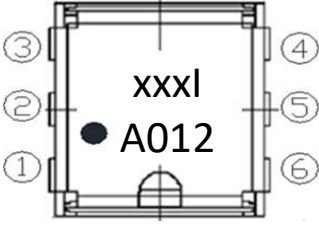
RF component

 Datasheet Rev.:         B          
 Date:         2022.06.30        

## MECHANICAL SPECIFICATION



## MARKING

Clockwise	CounterClockwise	①/⑥ : Out/In Port ②~⑤: Ground xxx: Central Frequency 2350MHz I: Isolator A: Year 01: Week of Year 2: Day of Week ●: Input Port
DP-IL0520A2350-J3	DP-IL0520B2350-J3	
		

Year Code	
Year	Code
2019	A
2020	B
2021	C
2022	D
2023	E
2024	F
...	...

Week Code	
Week	Code
1	01
2	02
3	03
4	04
5	05
6	06
...	...

Day Code	
Day	Code
Monday	1
Tuesday	2
Wednesday	3
Thursday	4
Friday	5
Saturday	6
Sunday	7

# 5mm SMD ISOLATOR

RF component

Datasheet Rev.:           B            
 Date:           2022.06.30          

## TEMPERATURE RANGE

Operating temperature range : -40~+85°C  
 Storage temperature range:-40~+125°C

## ELECTRICAL CHARACTERISTICS

Parameter	Unit	Frequency (MHz)		DP Spec			
				Min.	Typ.	Max.	
Frequency range	MHz	2300		2400	2300		2400
Insertion Loss	dB	-		-			0.80
Isolation	dB	-		-	14		
Return Loss	dB	-		-	14		
IMD3 (2*25dBm, Span 5MHz)	dBc						-60
IMD3 typical	dBc					-68	
Power Handling (Average)	W						5
Power Handling (Peak)	W						10
Reflection power	W						2
Characteristic Impedance (ohm)	Ω					50	
Case Style	-					SMD	

## NOTES

1. Recommend to keep 30mm above when mounted with other magnetic products.
2. RoHS compliance.
3. Isolator's characteristics are guaranteed at conditions listed at above table and it's operating temperature range.



# 5mm SMD ISOLATOR

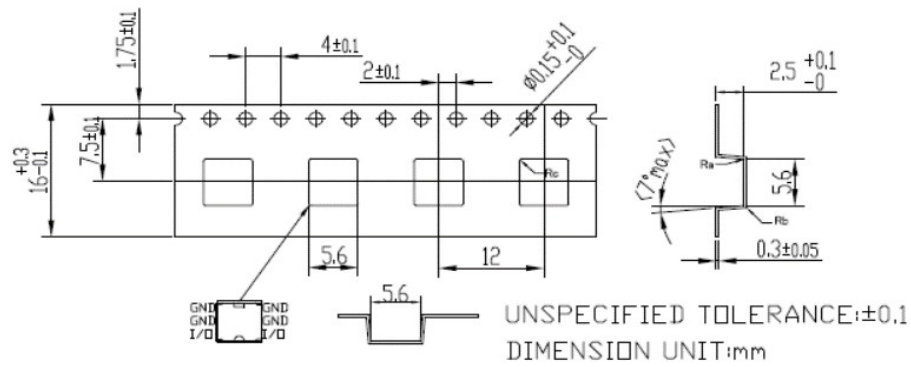
RF component

Datasheet Rev.:           B            
 Date:           2022.06.30          

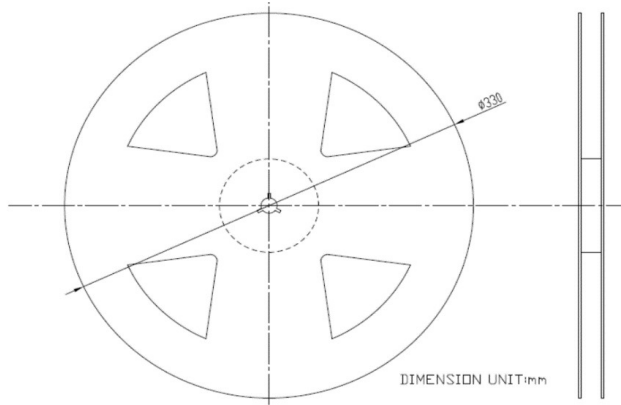
## PACKING STYLE

### REEL DIMENSIONS

Reel side  $\longrightarrow$  Pulling side



### TAPE DIMENSIONS



### PACKAGE QUANTITY

2000 PCS/REEL

# 5mm SMD ISOLATOR

RF component

Datasheet Rev.:         B          
 Date:         2022.06.30        

## Revision Records

Rev.	Date	PIC	Change item	Reasons for change
A	2021.06.27	Nina	New regulations	
B	2022.06.30	ZC.Wu	Dimension and marking	
C				
D				
E				
F				
G				
H				