

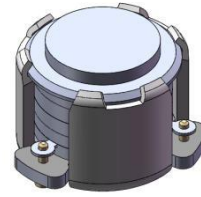


**DP2247C**

**ENG PART: DP-7CM-1805T1920-CW**

1805MHz to 1920MHz Single-Junction Surface Mount Circulator

REV.	DESCRIPTION	REVISOR	DATE	APPROVED
A	Creating datasheet	ZZ.Zhu	2022/10/18	Nick

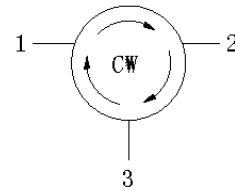


**Applications:**

- ⚠ Wireless Infrastructure
- ⚠ Power Amplifier

**Features:**

- ⚠ Operating frequency range: 1805MHz to1920MHz
- ⚠ Operating temperature range: -40°C to +85°C
- ⚠ Storage temperature range: -40°C to +100°C
- ⚠ Small surface-mount package delivered on T&R
- ⚠ BeOfree&RoHS compliant



Block Diagram



## Electrical Specifications:

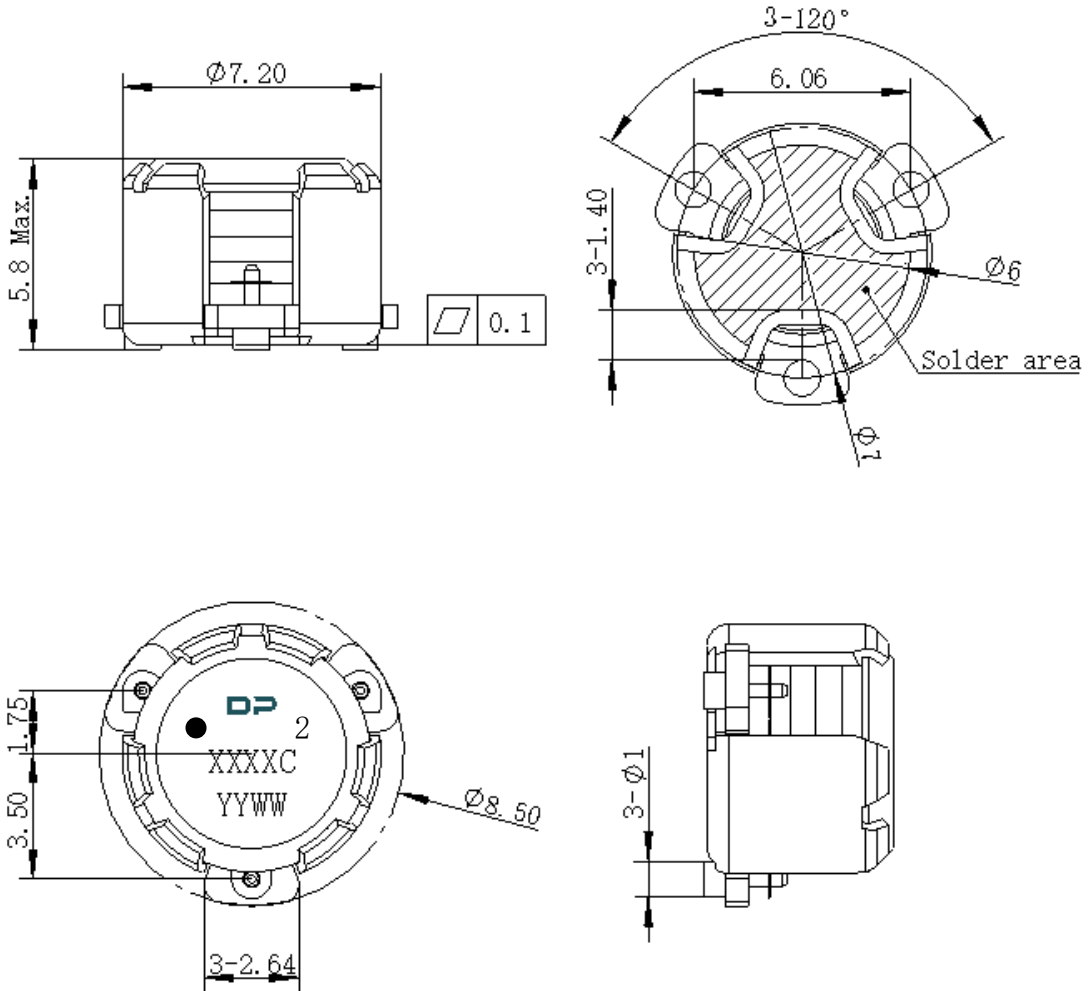
ITEM	SPECIFICATION	
Frequency	1805~1920	MHz
Direction	CW	
Impedance	Typ: 50	$\Omega$
Insertion Loss (Max.)	0.5	dB
Isolation (Min.)	18	dB
Return Loss (Min.)	18	dB
3rd IMD (Max.)	/	dBc
Group delay	/	ns
2nd harmonic attenuation	/	dB
3rd harmonic attenuation	/	dB
Nx harmonic attenuation	/	dB
Power FWD/REV/PEAK	20/20/100	W
Termination/Attenuator	/	W/dB

Notes:

1. Exposure to maximum rating conditions for extended periods may reduce device reliability. There is no damage to device with only one parameter set at the limit and all other parameters set at or below their nominal value. Exceeding any of the limits listed here may result in permanent damage to the device.
2. Performance is guaranteed under the conditions listed in this table and over the operating temperature range.



Mechanical Specifications:



Unit: Millimeters

Notes:

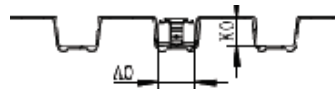
1. The housing and pins are silver-plated.
2. Tolerance  $\pm 0.2$ mm unless otherwise specified.
3. Co-planarity Specification: 0.1mm maximum.
4. Part Number, Lot Code, and Port Designation are printed on the top side of device
5. The **XXXXC** on the label represents the last five digits of the Part Number
6. Date code is in format **YYWW**



### Packaging Style:

111	W	.00	00	UI	K0	I	U	4	2	1	
D1	2	(J) 40	Y.2	"L."	G.O	0>1.t	1.70	11.	.0	4	0.
WU!	0.2	0.2	0.1	0.1	0.2	10.1	0.1	0.1=	0.L	0.L	0.1

Øi.20 1.2'



4

