

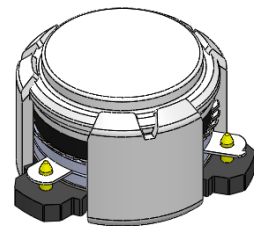


DP2351C

ENG PART:DP-10.2CM-3260T3740-CW

3260MHz to 3740MHz Single-Junction Surface Mount Circulator

REV.	DESCRIPTION	REVISOR	DATE	APPROVED
A	Same as REV.1	ZZ.Zhu	2023/02/03	Nick

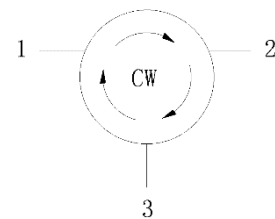


Applications:

- Wireless Infrastructure
- Power Amplifier

Features:

- Operating frequency range: 3260MHz to 3740MHz
- Operating temperature range: -40°C to +125°C
- Storage temperature range: -50°C to +150°C
- Small surface-mount package delivered on T&R
- BeOfree&RoHS compliant



Block Diagram



Electrical Specifications:

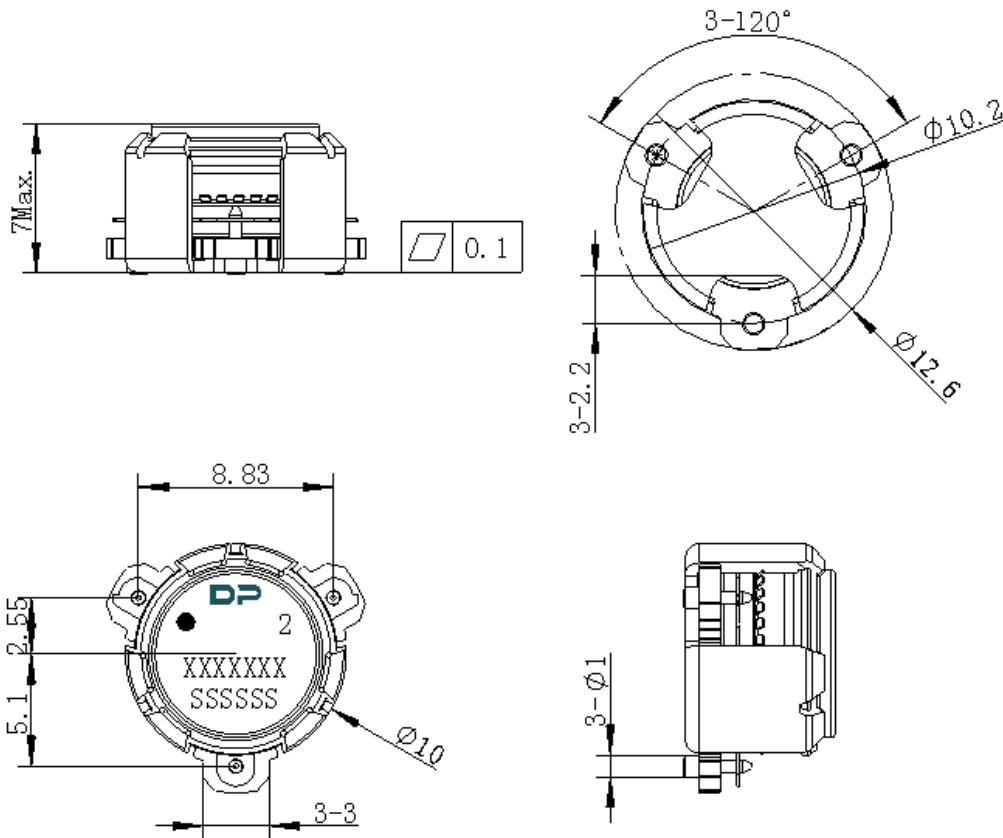
ITEM	SPECIFICATION	
Frequency	3260~3740	MHz
Direction	CW	
Impedance	Typ: 50	Ω
Insertion Loss (Max.)	0.25@-40~+105 $^{\circ}$ C 0.30@+105~+125 $^{\circ}$ C	dB
Insertion Loss Ripple (Max.)	0.1	dB
Isolation (Min.)	22@-40~+105 $^{\circ}$ C 20@+105~+125 $^{\circ}$ C	dB
Return Loss (Min.)	22@-40~+105 $^{\circ}$ C 20@+105~+125 $^{\circ}$ C	dB
3rd IMD (Max.)	-65@2x15w two CW tones with 5MHz space over operation Freq. Range	dBc
Harmonic Products Generation(Max.)	-56@10w single CW tone over operation Freq. Range	dBc
2nd harmonic Rejection(Min.)	15	dB
Power FWD/REV/PEAK	30/30/150	W

Notes:

1. Exposure to maximum rating conditions for extended periods may reduce device reliability. There is no damage to device with only one parameter set at the limit and all other parameters set at or below their nominal value. Exceeding any of the limits listed here may result in permanent damage to the device.
2. Performance is guaranteed under the conditions listed in this table and over the operating temperature range.



3. Mechanical Specifications:



Unit: Millimeters

Notes:

1. The housing and pins are silver-plated.
2. Tolerance $\pm 0.2\text{mm}$ unless otherwise specified.
3. Co-planarity Specification: 0.1mm maximum.
4. PartNumber, Lot Code, and Port Designation are printed on the top side of device.
5. The **XXXXXXX** on the label represents the part number
6. The **SSSSSS** on the label represents the serial number
7. The black dot on the label represents the input port



Packaging Style:

ITEM	W	A0	B0	C0	K0	D	E	F	F2	P	P0	P2	T
DIM	32	Φ10.4	12.5	4	7.0	Φ1.5	1.75	14.2	28.5	24	4	2	0.5
TOLE	±0.3	±0.2	±0.2	±0.2	±0.2	+0.1	±0.1	±0.15	±0.1	±0.1	±0.1	±0.1	±0.05

