

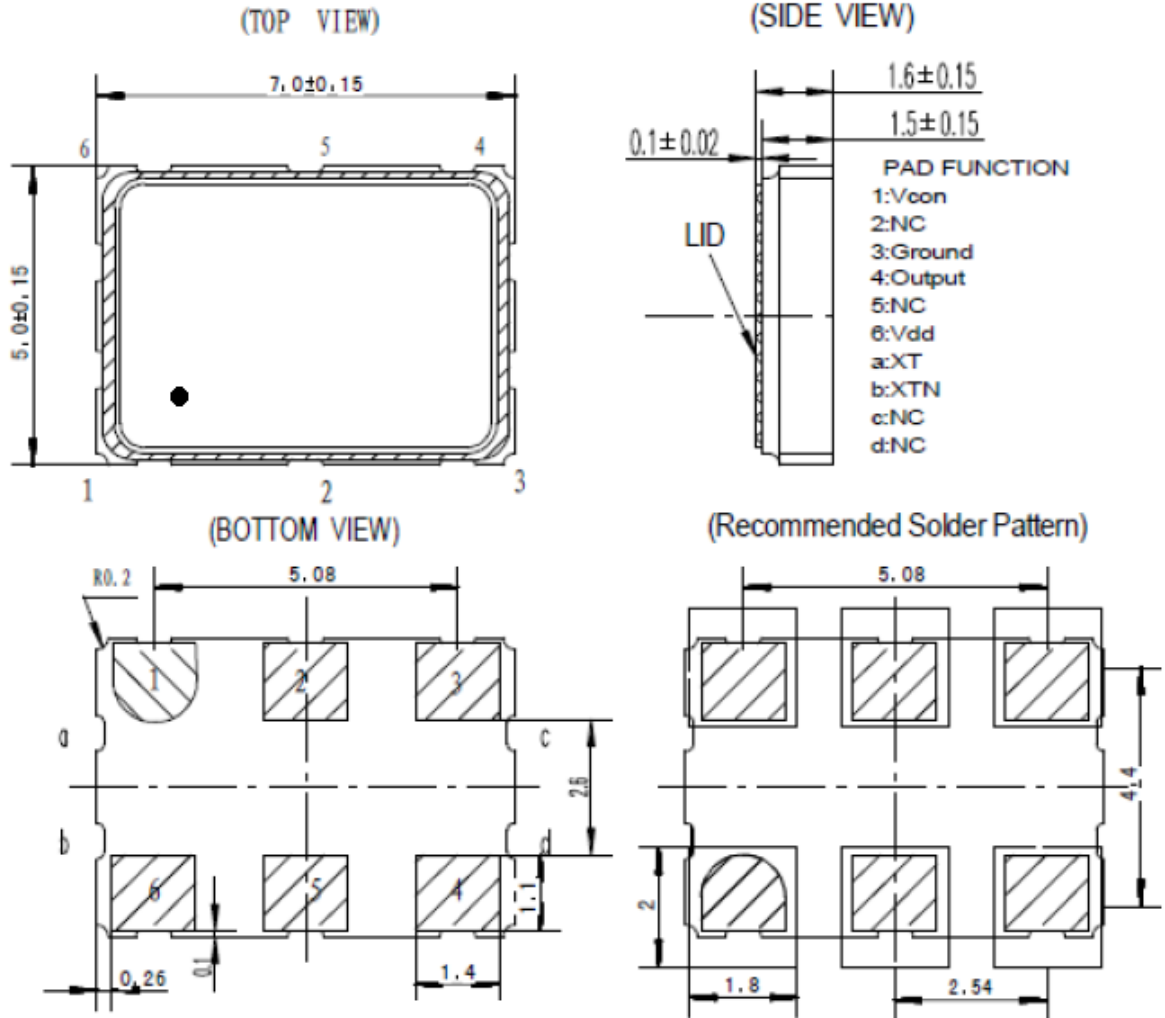


1、 Electrical Parameters

MODEL: DP7W61440001							
No.	Parameters	SYM.	Electrical Spec.				Notes
			Min.	Typ.	Max.	Units	
1	Nominal Frequency	FL	61.44			MHz	
2	Vibration Mode	-	Fundamental				
3	Output Load Capacitance	LC		15		pF	CMOS
4	Frequency stability	F-stab	-30		+30	$\times 10^{-6}$	Operating temperature range
5	Inclusive of frequency tolerance		-20		+20		@25°C
6	Operating Temperature	-	-40	25	85	°C	
7	Operating Supply Voltage	Vdd	2.97	3.3	3.63	V	
8	Supply Current	Icc			30	mA	
9	Start up Time				1	mS	
10	“H” Output voltage	VOH	Vdd*0.9			V	
11	“L” Output voltage	VOL			Vdd*0.1	V	
12	Control voltage	Vc	0		3.3	V	
13	Pull range		± 100			$\times 10^{-6}$	
14	Modulation band width			15		kHz	
15	Vc pin input impedance		5			M Ω	
16	Linearity		-10		10	%	Vc=0.15V to 3.15V
17	Duty Cycle	-	45		55	%	
18	Aging	-	-5		+5	$\times 10^{-6}$	One year aging rate
19	Rise and Fall Time	Tr/Tf			5	nS	
20	Jitter	RMS			0.8	ps	12kHz ~ 20MHz
21	Phase Noise			-72		dBc	10Hz
				-103			100Hz
				-127			1kHz
				-145			10kHz
				-147			100kHz
				-147			1MHz
22	Storage temperature range		-55		125	°C	



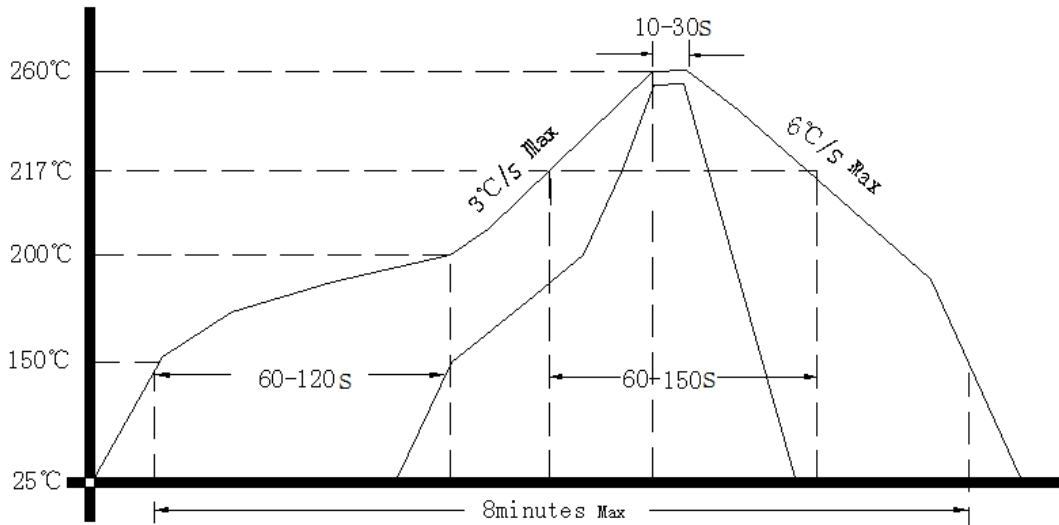
2、Mechanical Structure(mm)



Note1: Tolerance ± 0.2 mm



3、 Reflow Soldering Curve (RoHS)



4、 Package: Tape & Reel (mm)

