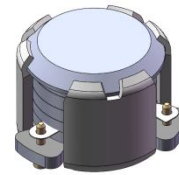




DP0400C

2496MHz to 2690MHz Single-Junction Surface Mount Circulator

REV.	DESCRIPTION	REVISOR	DATE	APPROVED
A	Creating datasheet	ZC.Wu	2021/01/11	Nick
B	Update the pin size from 0.7 to 0.6	ZC.Wu	2021/01/26	Nick

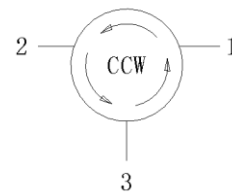


Applications:

- Wireless Infrastructure
- Power Amplifier

Features:

- Operating frequency range: 2496MHz to 2690MHz
- Operating temperature range: -40°C to +110°C
- Storage temperature range: -65°C to +155°C
- Small surface-mount package delivered on T&R
- BeO free & RoHS compliant



Block Diagram



Electrical Specifications:

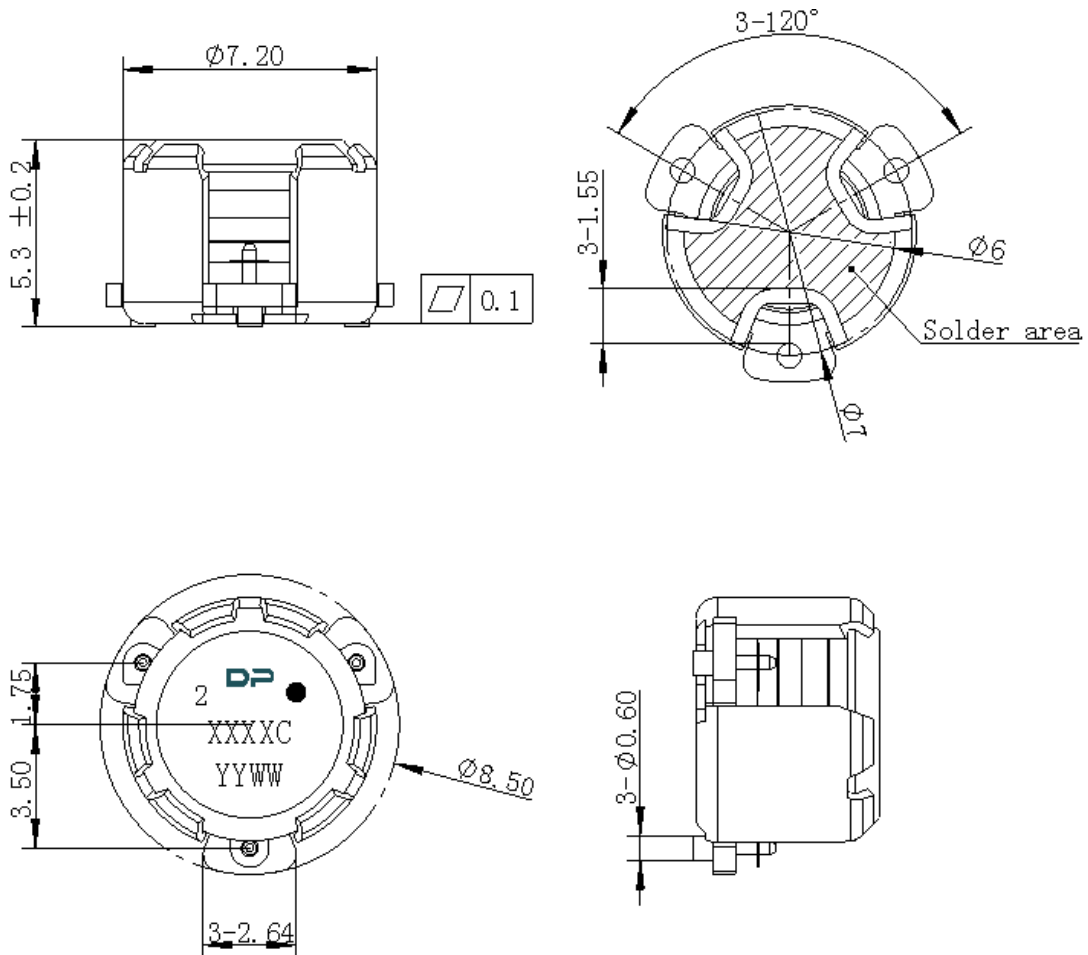
ITEM	SPECIFICATION	
Frequency	2496~2690	MHz
Direction	CCW	
Impedance	Typ: 50	Ω
Insertion Loss (Max.)	0.25@25°C \pm 10°C 0.30@-40--+110°C	dB
Isolation (Min.)	20	dB
Return Loss (Min.)	22	dB
3rd IMD (Max.)	-60	dBc
Group delay	2	ns
2nd harmonic attenuation	10	dB
3rd harmonic attenuation	5	dB
Extend Frequency	2296-2890	MHz
Isolation of extend frequency	14	dB
Power FWD/REV/PEAK	25/-/200	W
Resonance point of out off band	Resonance point away 2296MHz-2890MHz	W/dB
Input Impedance ,real	48 Min. @2496 MHz 51 Typ. @2496 MHz 54 Max. @2496 MHz 43 Min. @2600 MHz 46 Typ. @2600 MHz 49 Max. @2600 MHz 42.5 Min. @2690 MHz 45.5 Typ. @2690MHz 48.5 Max. @2690 MHz	Ω
Input Impedance ,imaginary	0j Min. @2496 MHz 6j Max. @2496 MHz -4.5 Min. @2600 MHz 4.5 Max. @2600 MHz -5 Min. @2690 MHz 1 Max. @2690 MHz	Ω

Notes :

1. Exposure to maximum rating conditions for extended periods may reduce device reliability. There is no damage to device with only one parameter set at the limit and all other parameters set at or below their nominal value. Exceeding any of the limits listed here may result in permanent damage to the device.
2. Performance is guaranteed under the conditions listed in this table and over the operating temperature range.
3. Performance will not degrade by > 10% (Insertion loss > 20%) with the operating temperature up to 130 °C.



Mechanical Specifications:



Unit : Millimeters

Notes:

1. The housing and pins are silver-plated.
2. Tolerance ± 0.2 mm unless otherwise specified.
3. Co-planarity Specification: 0.1mm maximum.
4. Part Number, Lot Code, and Port Designation are printed on the top side of device
5. The **XXXXC** on the label represents the last five digits of the Part Number.
6. Date code is in format **YYWW**
7. The black dot on the label represents the input port



PackagingStyle:

ITEM	W	A0	B0	C0	K0	D	E	F	F2	P	P0	P2	T
DIM	24	Φ7.4	9.2	2.7	6.0	Φ1.5	1.75	11.5	-	20	4	2	0.5
TOLE	±0.2	±0.2	±0.2	±0.2	±0.2	+0.1	±0.1	±0.15	±0.1	±0.1	±0.1	±0.1	±0.05

