

Customer Code : \_\_\_\_\_

# DATASHEET

DAPU P/N: **DPBF15625001**

Plot			The Label
Drew	Audited	Approved	Stamp, please! Thanks!
Date: 2017.08.31			

**Guangdong Dapu Telecom Technology Co.,Ltd**

Bldg16,.N.Ind.Zone,SSL Industry Park, Dongguan City, Guangdong Province, China

TEL: 0086-0769-88010888 FAX: 0086-0769-81800098



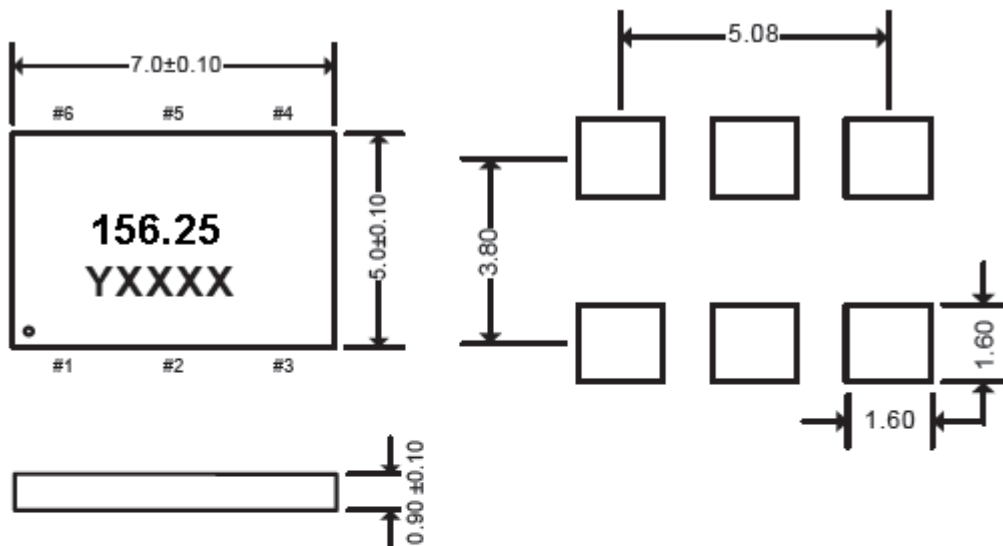
## 1、Electrical Parameters

MODEL: DPBF15625001							
No.	Parameters	SYM.	Electrical Spec.				Notes
			Min.	Typ.	Max.	Units	
1	Nominal Frequency	FL	156.25			MHz	
2	Output Waveform		LVDS				
3	Vdd		-0.5		4	V	
4	Supply Voltage		2.97	3.3	3.63	V	
5	Frequency Stability	F-stab	-20		+20	$\times 10^{-6}$	Inclusive of Initial tolerance, operating temperature, rated power supply voltage and load.
6	Operating Temperature	T-opr	-40	~	+85	°C	
7	Storage Temperature	T-stg	-65	~	+150	°C	
8	Current Consumption	Icc	-	47	55	mA	
9	OE Disable Supply Current	I_OD			35	mA	
10	Standby Current	I_std			100	$\mu$ A	
11	Rise/Full Time	Tr、 Tf		495	700	ps	20%~80%
12	First Year Aging		-2		+2	$\times 10^{-6}$	@25°C
13	10 Year Aging		-5		+5	$\times 10^{-6}$	@25°C
14	Duty Cycle	DC	45		55	%	
15	Differential Output Voltage	VOD	250	350	450	mV	
16	Output Disable Leakage Current		-		1	$\mu$ A	OE=Low
17	Input Voltage High	VIH	70%	-	-	Vdd	Pin 1
18	Input Voltage Low	VIL	-	-	30%	Vdd	Pin 1
19	Input Pull-up Impedence	Z_in		100	250	K $\Omega$	Pin 1, OE logic high or logic low, or ST logic high
20	Start up Time	T_start	-	6	10	ms	Measured from the time Vdd reaches its rated minimum value
21	OE Enable/Disable Time	T_oe	-	-	115	ns	
22	Resume Time	T_resume		6	10	ms	
23	RMS Period Jitter	T_jitt	-	1.2	1.7	ps	
24	VOD Magnitude Change				50	mV	
25	Offset Voltage	VOS	1.125	1.2	1.375	V	
26	VOS Magnitude Change				50	mV	
27	Phase Jitter	T_phj	-	0.6	0.85	ps	Integration bandwidth =12 kHz~20 MHz

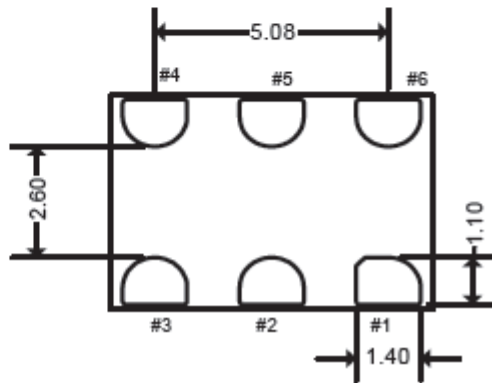


26	Mechanical Shock	MIL-STD-883F,Method 2002
	Mechanical Vibration	MIL-STD-883F,Method 2007
	Temperature Cycle	JESD22, Method A104
	Solderability	MIL-STD-883F,Method 2003
	Moisture Sensitivity Level	MSL1 @260°C

## 2、Mechanical Structure(mm)



Pin	Function
#1	ST
#2	NC
#3	GND
#4	OUT+
#3	OUT-
#4	VDD



unit:mm

**Note1:** Tolerance  $\pm 0.2$ mm without mark

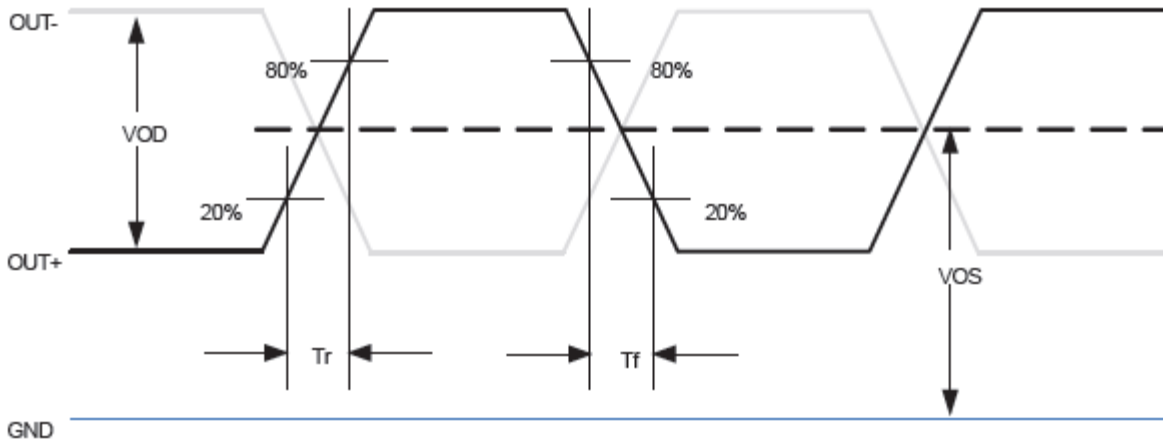
**Note2:** Referential weight 0.2g

**Note3:** Y denotes manufacturing origin and XXXX denotes manufacturing lot number. The value of “Y” will depend on the assembly location of the device

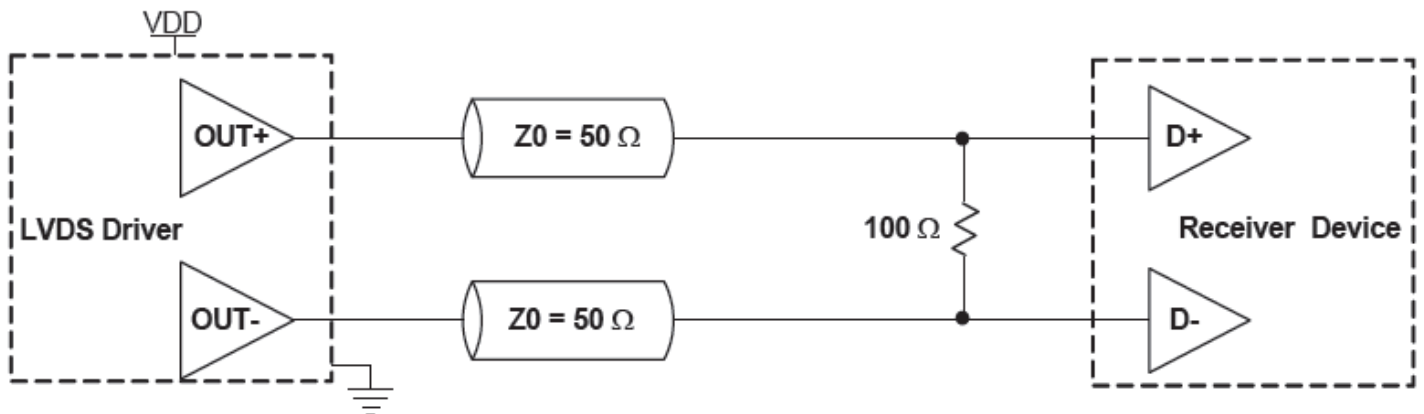
**Note4:** A capacitor of value 0.1 $\mu$  F or higher between Vdd and GND is required



### 3、Waveform Diagrams



### 4、Termination Diagrams



### 5、Package: Tape & Reel (mm)

