

Travelling Merchant: _____

DATASHEET

Standard: DP7X33333304

Plot			The Label
Drew	Audited	Approved	Stamp, please! Thanks!
Date: 2021.05.31			

Guangdong Dapu Telecom Technology Co.,Ltd

Building 5, No.24, Industrial East Road, Songshanhu Park, Dongguan, Guangdong, P.R. China

TEL: 0086-0769-88010888 FAX: 0086-0769-81800098

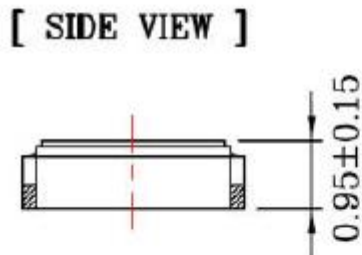
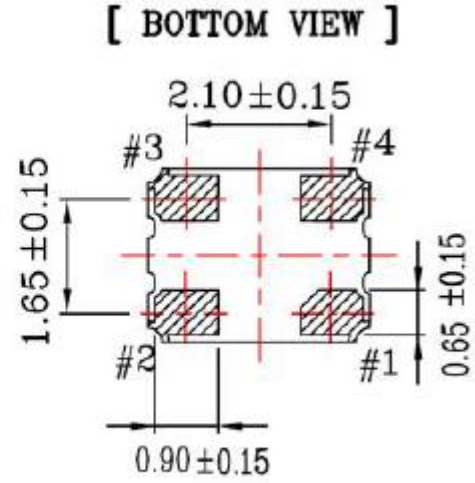
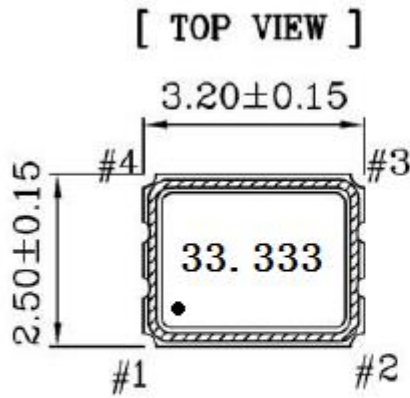


1、Electrical Parameters

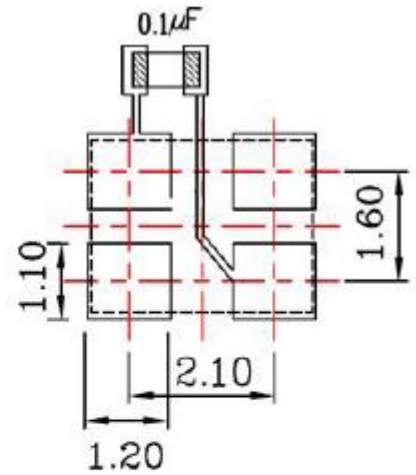
MODEL: DP7X33333304							
No.	Parameters	SYM.	Electrical Spec.				Notes
			Min.	Typ.	Max.	Units	
1	Nominal Frequency	FL	33.3333			MHz	
2	Output waveform		CMOS				
3	Frequency Stability		-30		+30	ppm	At25±2℃
			-30		+30	ppm	-40-85℃
4	Operating Temperature	Topr	-40		+85	℃	
5	Storage Temperature Range		-55		+125	℃	
6	Output Load	CL			15.0	pF	
7	Supply Voltage		1.65		3.65	V	
8	Symmetry of Wave From		45	50	55	%	
9	Current				5.0	mA	At maximum supply voltage
10	Output Voltage High	VOH	90%Vdd			V	
11	Output Voltage Low	VOL			10%Vdd	V	
12	Rise Time	Tr			5.0	ns	
13	Fall Time	Tf			5.0	ns	
14	Tri-State Output Active		0.7Vdd			V	Pin 1 Tri-state
15	Tri-State Output in High-Impedance state				0.3Vdd	V	
16	Start-up Time	Tosc			5	ms	
17	Aging		-3		+3	ppm	Frequency drift in first year



2、 Mechanical Structure(mm)



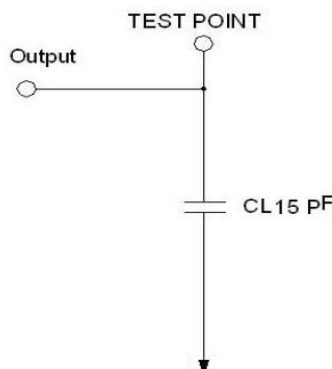
Pin	Function
#1	Tri-State
#2	GND
#3	Output
#4	V _{DD}



Unit:mm

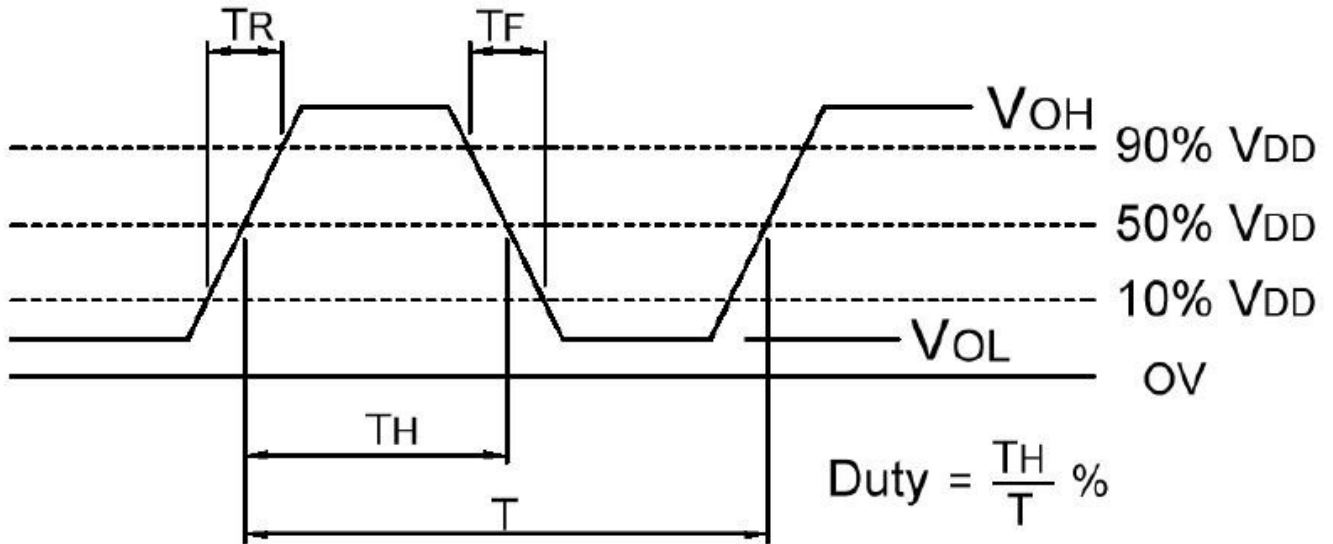
☆ To ensure optimal oscillator performance, Place a by-pass capacitor of 0.1µF as close to the part as possible between VDD and GND pads.

3、 Test Circuit (CMOS Load)



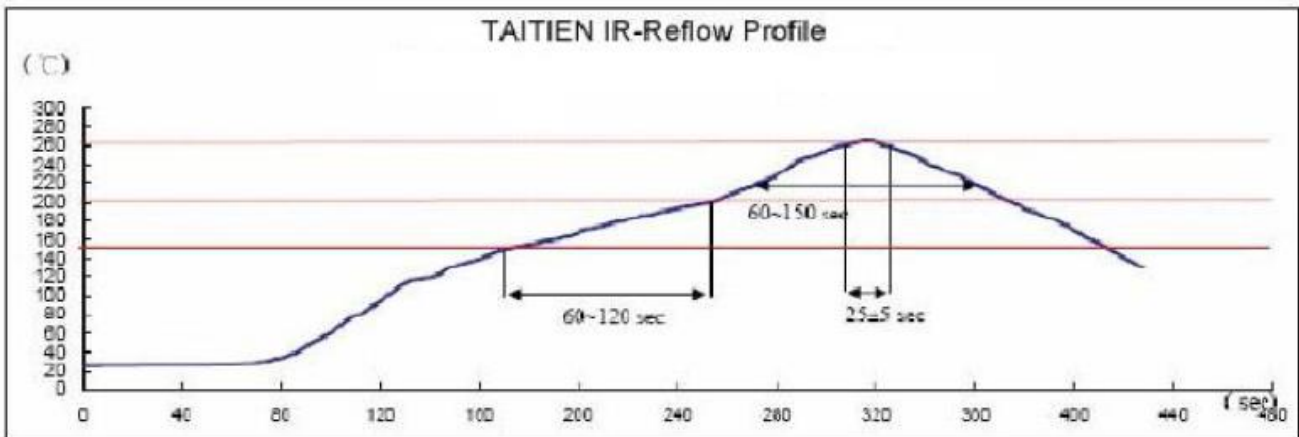


4、 Output Waveform(CMOS Load)



5、 Recommended Ir Reflow Profile

➤ IR REFLOW PROFILE OF CERAMIC SMD PRODUCTS FOR Pb FREE PROCESS



IR-Reflow Test

Reference Standard : JEDEC-STD 020

Test Conditions: Pre-heating : 150°C to 200 °C , 60~120 sec

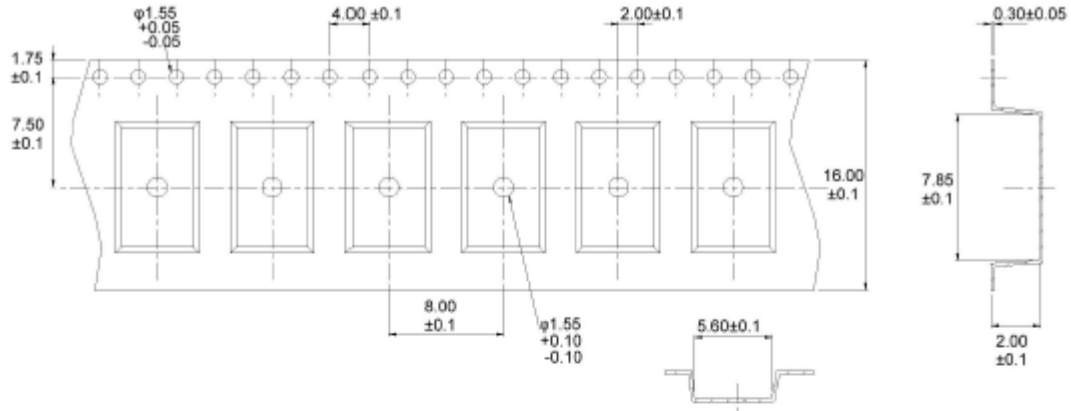
Heating : 217 °C , 60~150 sec

Peak Temperature : 260±5 °C , 25±5 sec

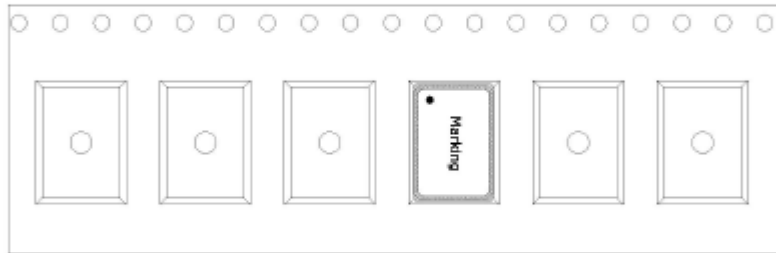


6、 Package: Tape & Reel (mm)

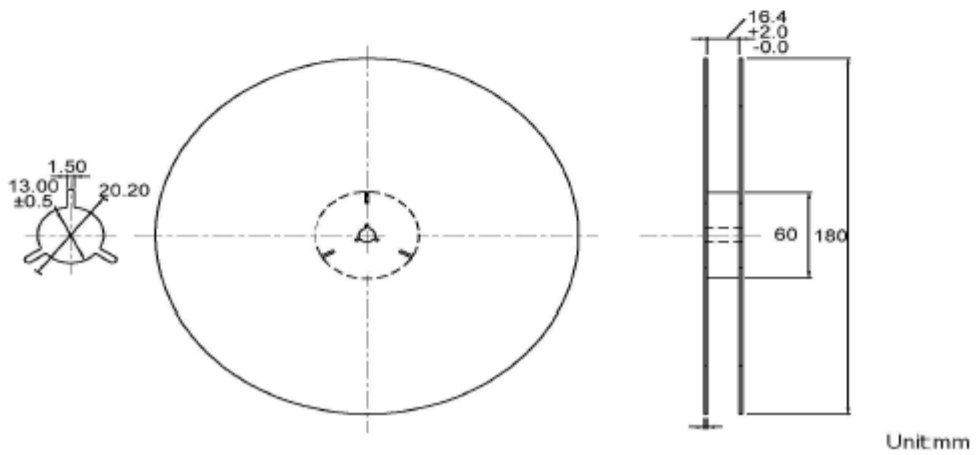
> TAPE (CARRIER) DIMENSIONS



> THE DIRECTION OF PACKING



> REEL DIMENSIONS



Unit:mm