

Customer Code : \_\_\_\_\_

# DATASHEET

DAPU P/N: **DP7C87040001**

Plot			The Label
Drew	Audited	Approved	Stamp, please! Thanks!
<i>Amway.wei</i>	<i>Carry.Wang</i>	<i>James.Liu</i>	
Date: 2017.08.14			

## Guangdong Dapu Telecom Technology Co.,Ltd

Bldg16,.N.Ind.Zone,SSL Industry Park, Dongguan City, Guangdong Province, China

TEL: 0086-0769-88010888 FAX: 0086-0769-81800098

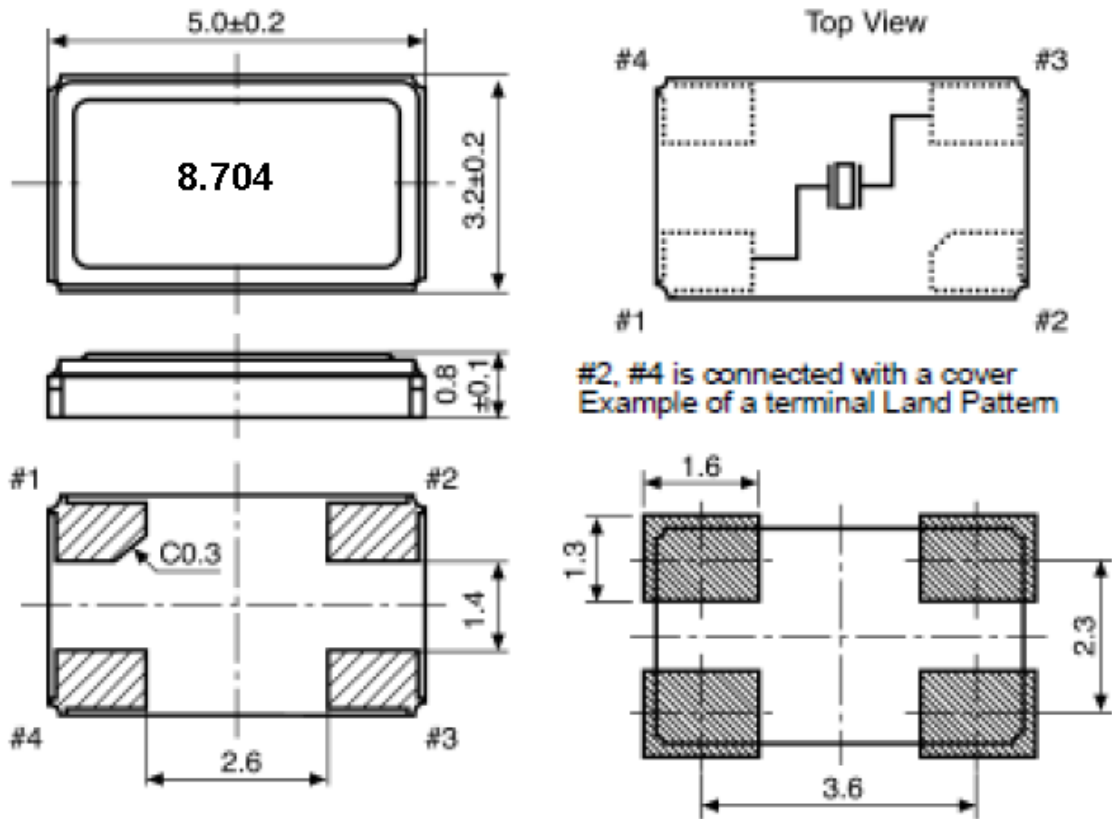


## 1、Electrical Parameters

MODEL: DP7C87040001							
No.	Parameters	SYM.	Electrical Spec.				Notes
			Min.	Typ.	Max.	Units	
1	Nominal Frequency	FL	8.704			MHz	
2	Mode		AT/Fundamental				
3	Frequency Stability		-30		+30	$\times 10^{-6}$	-40~85℃
	Frequency Tolerance		-30		+30	$\times 10^{-6}$	@25℃
5	Operating Temperature	Topr	-40		+85	℃	
6	Storage Temperature	Tstg	-55		+125	℃	
7	Shunt Capacitance (C0)				5.0	pF	
8	Driver Level			100		$\mu$ W	
9	Load Capacitance (CL)		20			pF	
10	Aging	-	-3	-	+3	$\times 10^{-6}$ /yr.	1st. Year at 25℃
11	Equivalent Series Resistance (ESR)				100	$\Omega$	

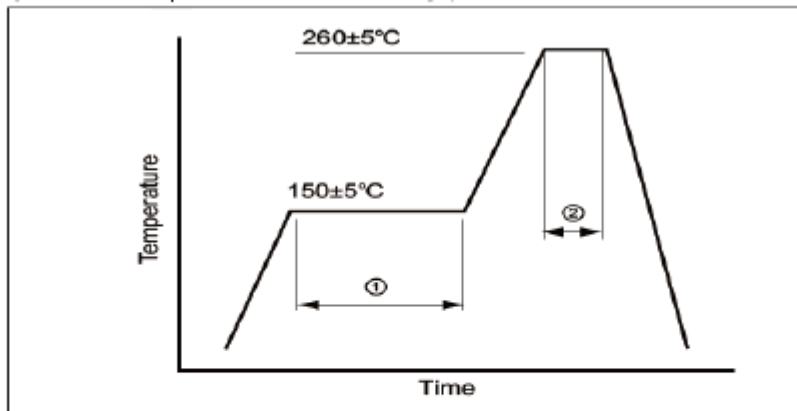


## 2、 Mechanical Structure(mm)



**Note1:**Tolerance ±0.2mm without mark

## 3、 Reflow Condition



①	Preheat	150±5°C	120sec.
②	Peak	260°C	10sec. max.

Total time 200sec. max. Solder melting point: 185°C

The reflow temperature profile may vary depending on the product model, specifications and frequency range. Refer to the individual product specifications for details.

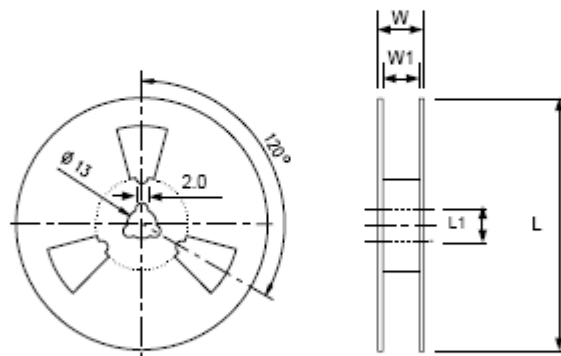
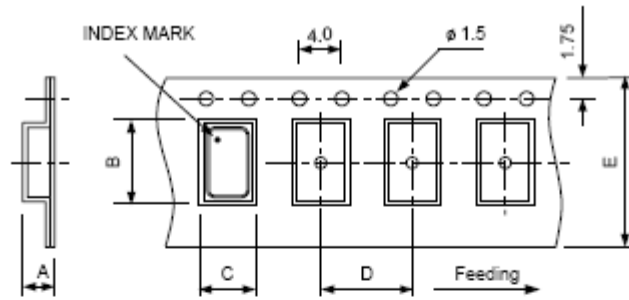


## 4、 Reliability Specification

Test item	Equipment	Condition	Specification
1.SOLDERABILITY TEST	TBAEI ESPEC(K-1425-14D)	Welding can be temperature: $260 \pm 5$ °C, 5s(125 °C, 120 SEC preheating Anti-welding temperature: $260 \pm 5$ °C, soaking time: 10 seconds	MIL-STD-883E Method 2003.7
2. HERMETICITY TEST	Helium leak detectors	1. Small leak: 4.5 KGF/CM <sup>2</sup> 2hours 1 * 10 <sup>-9</sup> PA.M <sup>3</sup> /SEC crude leak: 4.5KGF/CM <sup>2</sup> 2hours 1.5 * 10 <sup>-5</sup> PA.M <sup>3</sup> /SEC	MIL-STD-883E Method 1014.10
3. VIBRATION TEST	Sweep vibration test machines (IMV CO. (VS-300-2)), S & A250B	1 Crystal on 10-2000 Hz, X, Y, Z water level, each 20-minute vibration, a test every four hours, then the sample used to test 250 b	MIL-STD-883E Method 2007.3
4. MECHANICAL SHOCK	TOOL	A high degree of crystal from 150 CM to 150 g of three months from the direction of impact XY23 work hard wooden board	JIS C6701
5.MECHANICAL IMPACT TEST	TOOL	c1000G, 0.5Msec, 3, from the X, Y, Z three-day direction of hard wood boards, then the sample used to test 250 B	MIL-STD-202F Method 213B
6. DROP TEST	Fell hard wood equipment, S & A 250B	Crystal 75 cm in height, falling three times in the hard wooden board	JIS C6701
7. SALT SPRAY	H-SST-60, RC-328A	5% NaCL (sodium carbonate), 35 °C $\pm$ 2 °C temperature of the box, 48 hours, PH value: 6.5 to 7.2	
8. HIGH&LOW TEMP STORAGE TEST	TABEL ESPEC(MC-610), S&A 350B/250B	High temperature: $125$ °C $\pm$ 2 °C, 500 hours; low temperature: $-40$ °C $\pm$ 3 °C, 500hours	MIL-STD-883E Method 1005.8
9. TEMP& HUM CYCLING TEST	TABEI ESPEC ( TPC-211 ) S&A350B/250B	Temperature: $121 + / - 3$ °C RH100% 2BAI, 240hours	JIS C6701
10. HIGH TEM. & HUM. STORAGE TEST	TBAEL ESPEC ( PH-3F ) , S&A350B/250B	Temperature: $40$ °C $\pm$ 2, Humidity: 65 +3, -2%, storage 96 hours	JIS C5023
11.AGING TEST	PRA(2360)	Temperature: $65$ °C $\pm$ 2 °C, 1000hours	JIS C6701



### 5、 Package: Tape & Reel (mm)



DIMENSIONS	A	B	C	D	E	L	L1	W	W1	pcs / Reel	
	7050	2.15	7.9	5.4	8	16	180	13	21.5	17.5	1K
	6035	1.4	6.4	3.9	8	12	180	13	15.4	13	1K
	5032	1.46	5.5	3.6	8	12	180	13	15.4	13	1K
	3225	1.4	3.4	2.7	4	8	180	13	11.5	8	3K
	2520	1.15	2.8	2.25	4	8	180	13	10.5	8	3K
	2016	0.95	2.25	1.85	4	8	180	13	10.5	9	3K
	1612	0.8	1.85	1.45	4	8	180	13	10.5	9	3K