

Travelling Merchant: _____

DATASHEET

Standard: **DPCA12288001**

P/N: _____

Plot			The Label
Drew	Audited	Approved	Stamp, please! Thanks!
Date: 2020.10.20			

Guangdong Dapu Telecom Technology Co.,Ltd

Bldg13-16,.N.Ind.Zone,SSL Industry Park, Dongguan City, Guangdong Province, China

TEL: 0086-0769-88010888 FAX: 0086-0769-81800098



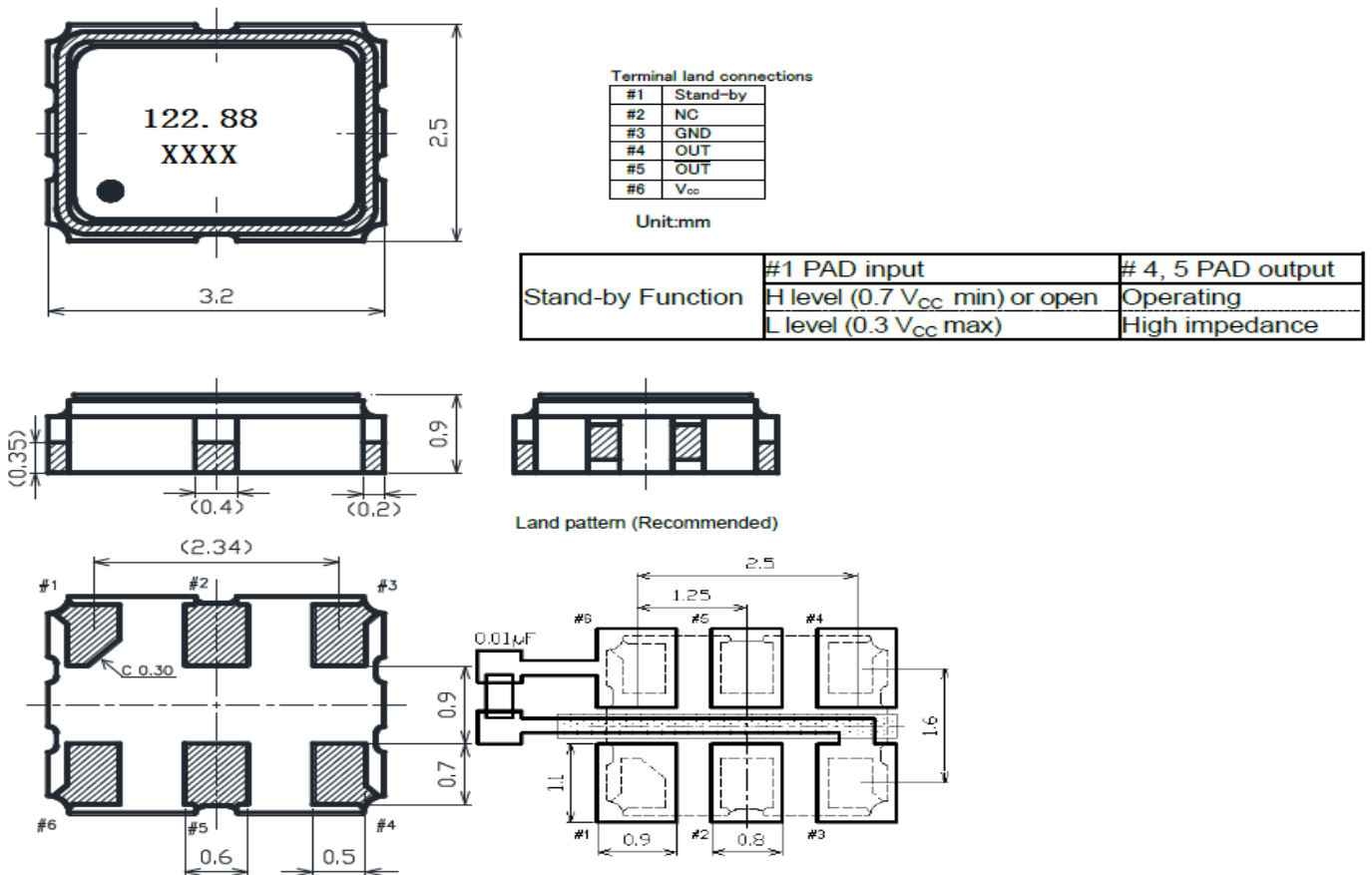
1. Electrical Parameters

MODEL: DPCA12288001						
Item	Description	Parameters			Unit	Test Condition
		Min.	Typ.	Max.		
Output	Frequency	122.88			MHz	
	Output Waveform	LVPECL				
	Output Voltage Low	V _{cc} -1.81		V _{cc} -1.62	V	V _{cc} =3.3V, O _{load} =50Ω
	Output Voltage High	V _{cc} -1.025		V _{cc} -0.88	V	V _{cc} =3.3V, O _{load} =50Ω
	Duty Cycle	45		55	%	@50%
	Rise / Fall Time (20%~80%)			1	ns	20%~80%
	Load	50			Ω	V _{cc} -2.0V
	Jitter			250	fs	RMS (12KHz ~20MHz)
Frequency Stabilities	Overall Tolerance	-50		+50	× 10 ⁻⁶	Inclusive of frequency tolerance@25°C and frequency stability vs.operating temperature range and voltage variance
Power Supply	Start time			10	ms	
	Current Consumption (Operating)			60	mA	@25°C
	Current Consumption (Stand-by)			15	μA	@25°C,
	Supply Voltage	2.97	3.3	3.63	V	
Phase Noise	Phase Noise @25°C		-80		dBc/Hz	10Hz
			-109			100Hz
			-135			1KHz
			-145			10 KHz
			-152			100 KHz
			-156			1MHz



Environmental Conditions	Operable Temperature	-40		+85	°C	
	Storage Temperature	-55		+125	°C	
	ESD Level	Human Body Model,class2: 2000V to 4000V; ANSI/ESDA/JEDEC JS-001-2010.				
		Machine Model, class B: 200V to 400V; JEDEC JESD22-A115C.				
	Moisture Sensitivity Level	Level 2.				
	Vibration	Test Condition: 0.75mm ;acceleration:10g;10Hz~2000Hz, one cycle per 30 min, test 2 hour. (3 times for each 3 directions X , Y , Z) .IEC 68-2-06 Test Fc.				
Shock	100g; 6ms; half sine wave (3 times for each 3 directions X , Y , Z) ,IEC 68-2-27 Test Ea/Severity 50A.					
Full Package Storage	Relative humidity (%)	20% ~70%				
	Temperature (°C)	-10~35°C				

2. Mechanical Structure(mm)

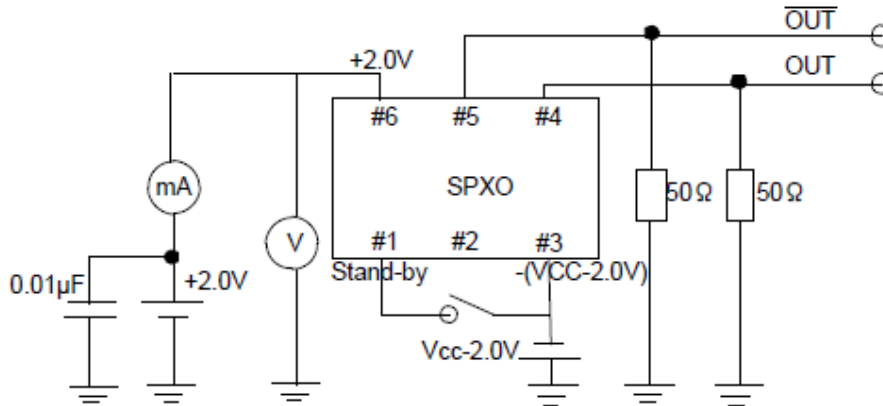


Note1: Tolerance ±0.1mm without mark

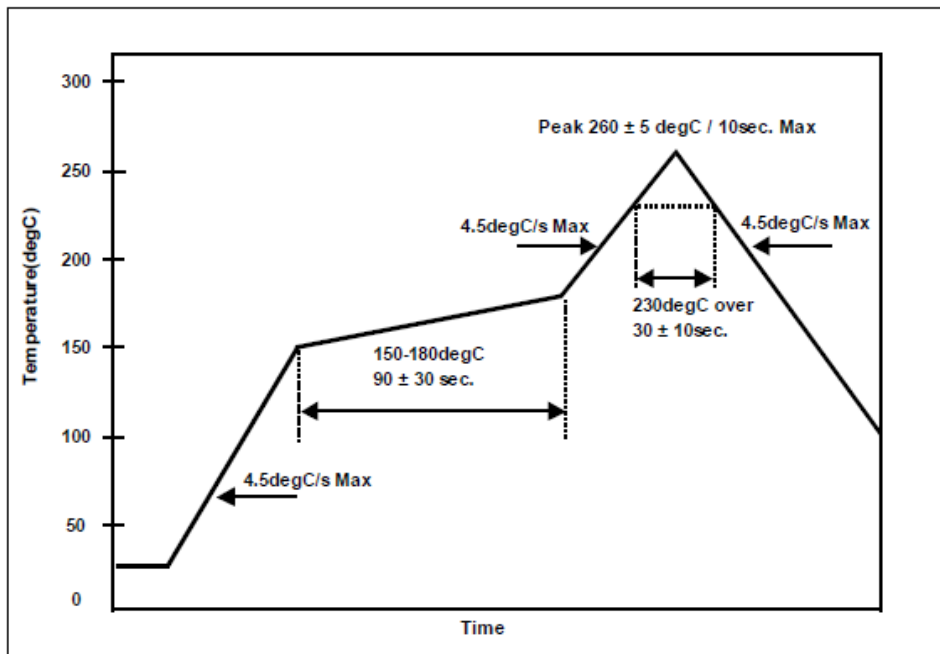
Note2: The first two xx representative: week
After two xx representative: year



3. Test Circuit



4. Reflow Soldering Curve (RoHS)



5. Package: Tape & Reel (mm)

