

Customer Code:

DATASHEET

DAPU P/N: CM22B-J328-30.72MHz

Customer P/N: _____

DAPU			Customer Approval
Drew	Audited	Approved	Stamp, please! Thanks!
Date: 2020.07.01			

Guangdong Dapu Telecom Technology Co., Ltd

Bldg 16,.N.Ind.Zone,SSL Industry Park,DongguanCity, Guangdong Province, China

TEL: 0086-0769-88010888 FAX: 0086-0769-81800098



Table of Contents

1	GENERAL DESCRIPTION	4
2	PIN DEFINITION	5
3	ELECTRICAL PARAMETERS.....	5
4	PERFORMANCE.....	6
5	UART	7
6	CONTROL PINS.....	7
7	ENVIRONMENTAL CONDITIONS	8
8	TYPICAL APPLICATION	9
9	MECHANICAL STRUCTURE (MM)	10
10	WAVE SOLDERING CURVE (ROHS).....	11
11	PACKAGE (MM)	11

DAPU

Confidential



1 General Description

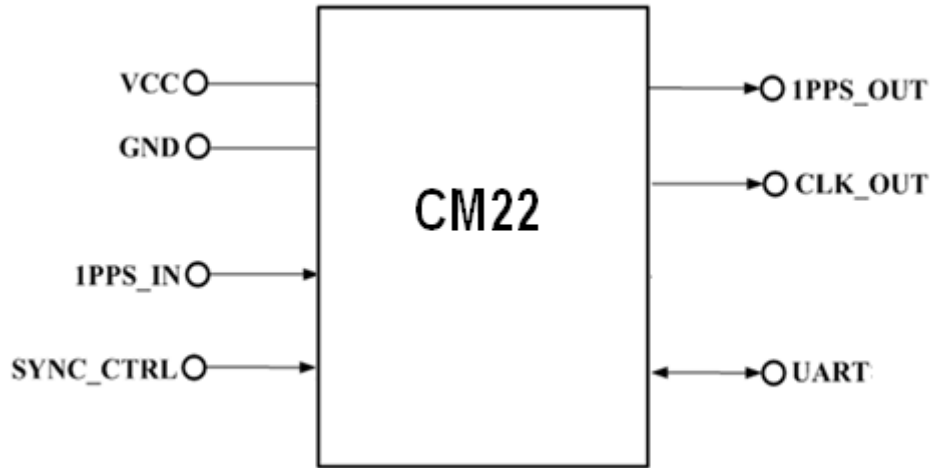


Figure 1 CM22

Figure 1 is the basic diagram of CM22. CM22 is a high-performance clock module designed to provide precise frequency and phase synchronizing with external time reference for telecom and other applications.

Key features:

- **Reference:** 1PPS and TOD from GNSS receiver, IEEE1588 etc.;
- **Temperature Stability:** ± 0.5 ppb(-40°C-85°C);
- **Holdover:** $\pm 50\mu\text{s}/24\text{H}$, afterlocking2H;
- **Clocks Input and Output:** 1*1PPS input, 1*1PPS output and 1*30.72MHz output;
- **Serial Interface:** 1*UART for management;
- **Mechanical Size:** 20.2mm*20.2mm*15.0mm.



2 Pin Definition

Table 1 Pin Definition

Pin group	Pin#	Pin Name	Type	Description
Supply Voltage	2	VCC	PWR	Power Supply
	3	GND	GND	Ground
Control and Status Pins	1	SYNC_CTRL	I	Synchronizing Procedure Control
UART	5	RXD	I	Asynchronous Serial Data Output/Input
	6	TXD	O	
Input Clock	4	1PPS_IN	I	1PPS Reference Input.
Output Clocks	7	1PPS_OUT	O	1PPS Output
	8	CLK_OUT	O	10.00MHz Output

3 Electrical Parameters

Table 2 Electrical Parameters

Parameter	Symbol	Minimum	Typical	Maximum	Units
LVC MOS Input					
High Level Input Voltage	V_{IH}	2.4			V
Low Level Input Voltage	V_{IL}			0.4	V
LVC MOS Output					
High Level Output Voltage	V_{OH}	2.4			V
Low Level Output Voltage	V_{OL}			0.4	V



4 Performance

Table 3 Performance

Item	Parameter	Minimum	Typical	Maximum	Units	Test Condition
Clock Output	Nominal Frequency	30.72			MHz	Synchronizing with 1PPS reference.
	Duty Cycle	45	50	55	%	Load 15pF
	Rise/Fall Time			5	ns	Load 15pF
	Sub Harmonics			-60	dBc	Load 15pF
	Frequency vs. Temperature	-0.5		+0.5	$\times 10^{-9}$	V _{cc} =3.3V; O _{load} =15pF; T _A varies from -40°C to 85°C, temperature slope less than 2°C per minute.
	Accuracy	-5		+5	$\times 10^{-12}$	24 hours average value when locked to 1PPS.
	Frequency Tolerance vs. Supply Voltage	-0.2		0.2	$\times 10^{-9}$	Measurement referenced to frequency observed with T _A =25°C, V _{cc} =3.3V ± 5% , O _{load} =15pF,
	Frequency Tolerance vs. Load	-0.2		0.2	$\times 10^{-9}$	Measurement referenced to frequency observed with T _A =25°C, V _{cc} =3.3V , O _{load} =15pF ± 5%
	Daily Aging	-0.5		+0.5	$\times 10^{-9}$	V _{cc} =3.3V; T _A =25°C.
	Yearly Aging	-0.05		+0.05	$\times 10^{-6}$	
	Phase Noise			-110	-100	dBc/Hz
			-130	-120	100Hz	
			-140	-135	1KHz	
			-155	-150	10KHz	
			-150	-145	100KHz	
1 PPS Output	Pulse Width		100		ms	
	Accuracy	-50		+50	ns	Synchronizing with 1PPS reference.
	24 hours holdover	-50		+50	μs	ΔT=±5°C, 24 hours holdover after locking 2 hours; temperature slope less than



						2°C per minute.
Supply Voltage	Supply Voltage	3.135	3.3	3.465	V	
	Warm Up Current			1300	mA	
	Steady Current			450	mA	@25°C
	AC Ripple			50	mVpk-pk	10Hz to 1MHz

5 UART

UART inter face sare used for management and TOD, which has a fixed baud rate (115200) using 1 stop bit and no parity. It is a LVTTTL-compatible port and needs an external translator to work with other signal types (such as RS-232C or RS-485).

6 Control Pins

CM22 is a clock module which synchronizes the local clock to reference such as 1 PPS retrieving from GPS. CM22 will work normally performing synchronizing algorithm when the SYNC_CTRL pin is driven high. It also could be force to work in free-run or holdover status when the SYNC_CTRL pin is driven low.

DAPU

Confidential



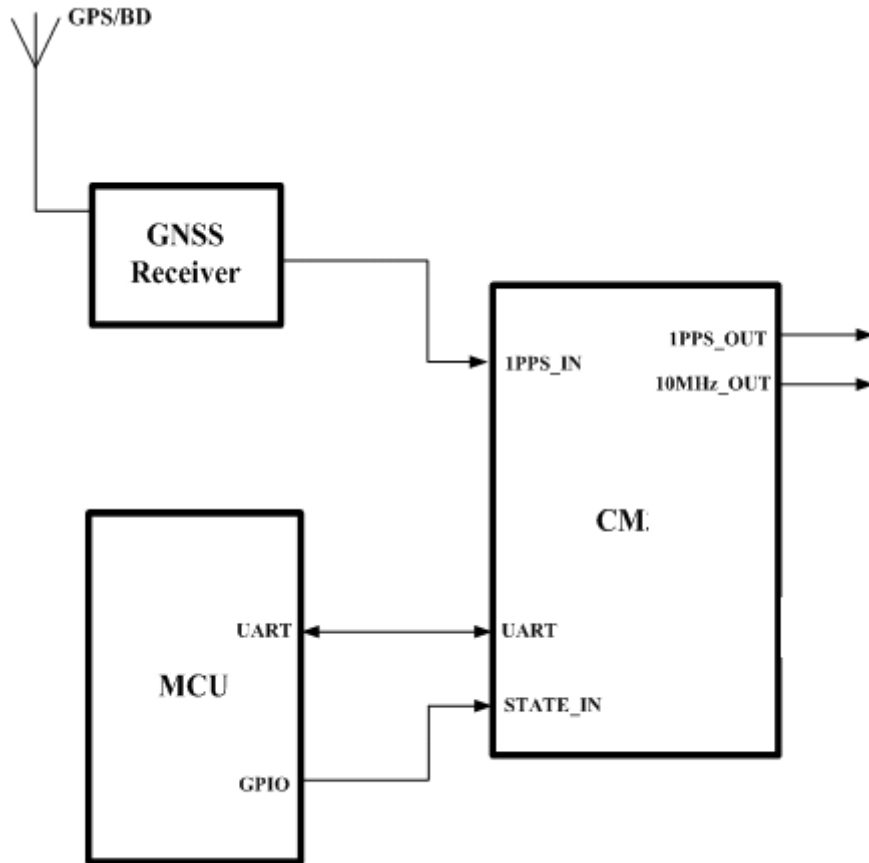
7 Environmental Conditions

Table 5 Environmental Conditions

Parameter	Conditions	
Operating Temperature	-40°C to 85°C	
Storage Temperature	-55°C to 105°C	
Storage Humidity	30%~80%	
ESD Level	Human Body Model, class2: 2000V to 4000V; ANSI/ESDA/JEDEC JS-001-2010.	
	Machine Model, class B: 200V to 400V; JEDEC JESD22-A115C.	
Moisture Sensitivity Level	Not humidity sensitive.	
Vibration	Test Condition: 0.75mm ;acceleration:10g;10Hz~500Hz, one cycle per 30 min, test 2 hour. (3 times for each 3 directions X , Y , Z), IEC 68-2-06 Test Fc.	
Shock	50g; 11ms; half sine wave (3 times for each 3 directions X,Y,Z),IEC 68-2-27 Test Ea/Severity 50A.	
Relative Humidity	20%~70%	Full Package Storage
Temperature	-10°C~35°C	



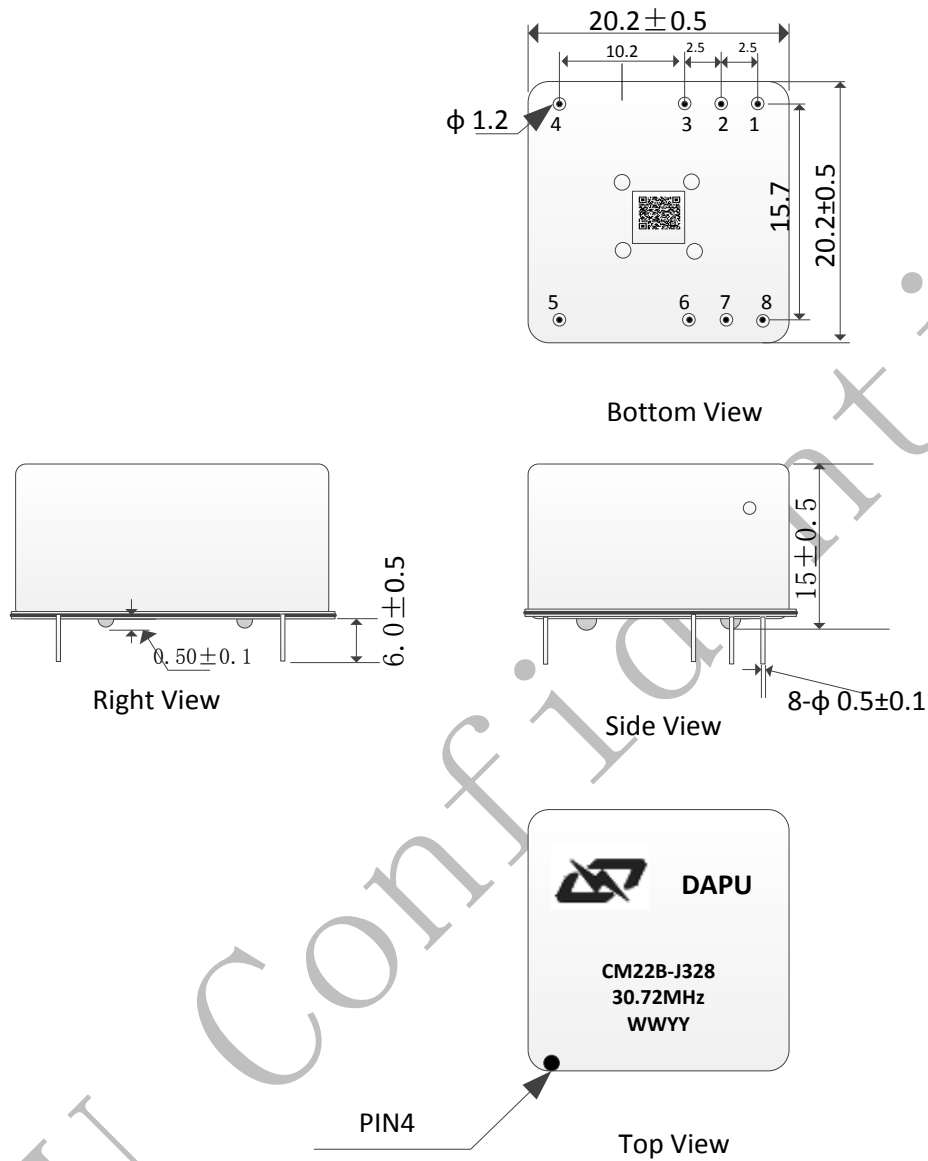
8 Typical Application



GNSS Receiver offers 1PPS signal to CM22.
The MCU monitors the work state of CM22.



9 Mechanical Structure (mm)



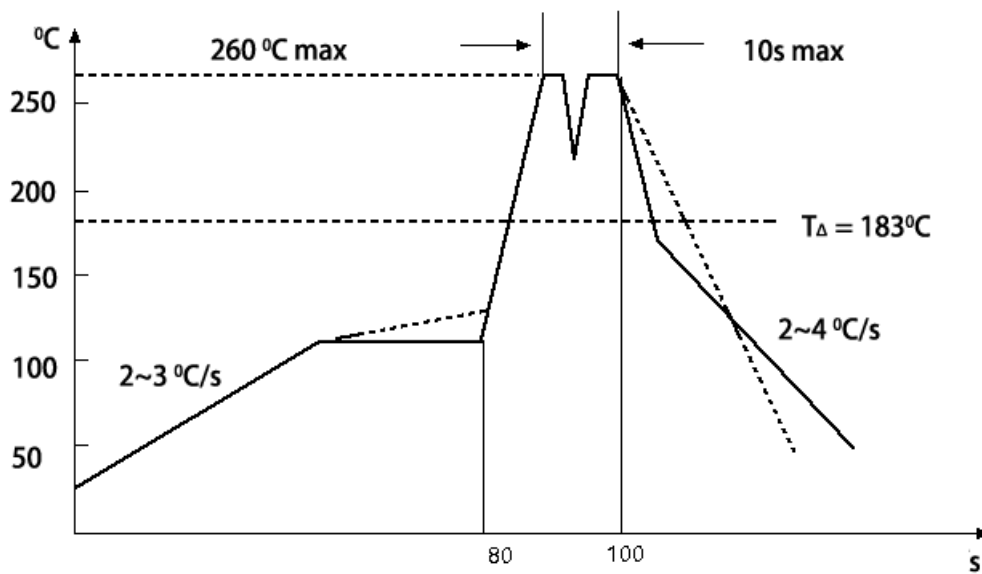
Note1: Tolerance ± 0.3 mm without mark.

Note2: WW represents Week.

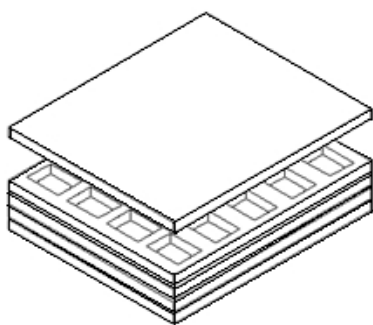
YY represents Year.



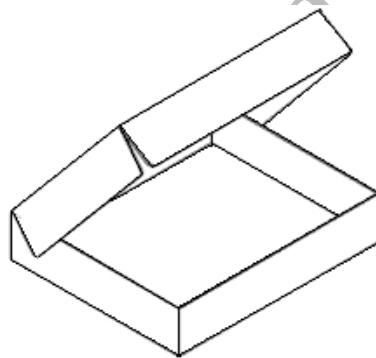
10 Wave Soldering Curve(RoHS)



11 Package (mm)



Buffer material



Cardboard
Max 20pcs, circulator

