



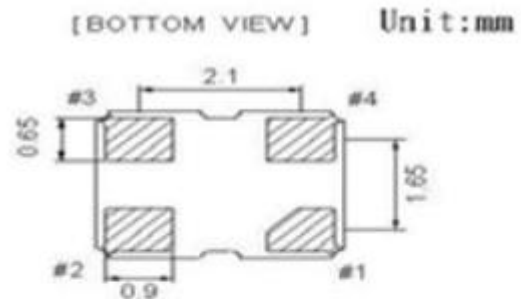
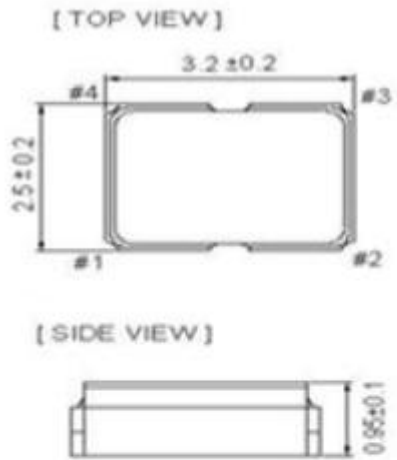


## 1、Electrical Parameters

MODEL: DPAU5000001						
No.	Parameters	Electrical Spec.				Notes
		Min.	Typ.	Max.	Units	
1	Nominal Frequency	50.00			MHz	
2	Output Waveform	CMOS				
3	Frequency stability	-20		+20	$\times 10^{-6}$	@25°C
4	Operating Temperature range	-40		+85	°C	The operating temperature range over which the frequency stability is measured
5	Storage Temperature range	-55		+125	°C	
6	Supply Voltage	1.65		3.46	V	
7	Current			20	mA	At maximum supply voltage
8	Output Load			15	pF	
9	Aging	-3	-	+3	$\times 10^{-6}$	Frequency drift in first year
10	Output Voltage High	90%Vdd	-	-	V	
11	Output Voltage Low	-	-	10%Vdd	V	
12	Duty Cycle	45	50	55	%	
13	Rise Time	-	-	5.0	ns	
14	Fall Time	-	-	5.0	ns	
15	Start Time	-	-	5	mSec	
16	Output Active	0.7Vdd			V	Pin 1 Tri-state
17	Output in High-Impedance state			0.3Vdd	V	
18	Vibration Test	MIL-STD-883 2007 Condition A				10~2000Hz, 1.52mm, 20g, each axis for 4 hrs
		JESD22-B103 Condition 1				
19	Thermal Shock	MIL-STD-883 1010 Condition B				-55°C, 125°C; soak time is 10 mins, with total 200 cycles
		JESD22-A104 Condition B				
20	Mechanical Shock	MIL-STD-883 2002 Condition B				1500g half-sine, 0.5ms, each axis for 3 times.
		JESD22-B104 Condition B				

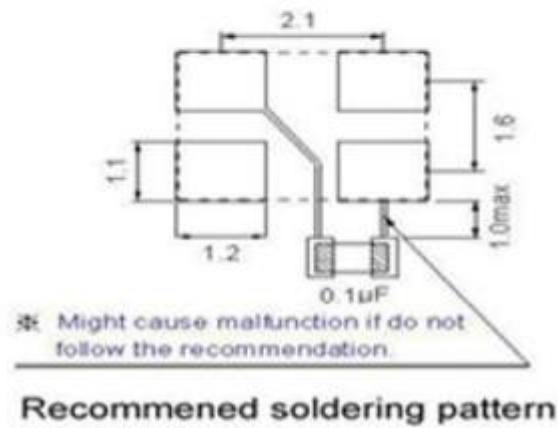


## 2、 Mechanical Structure(mm)

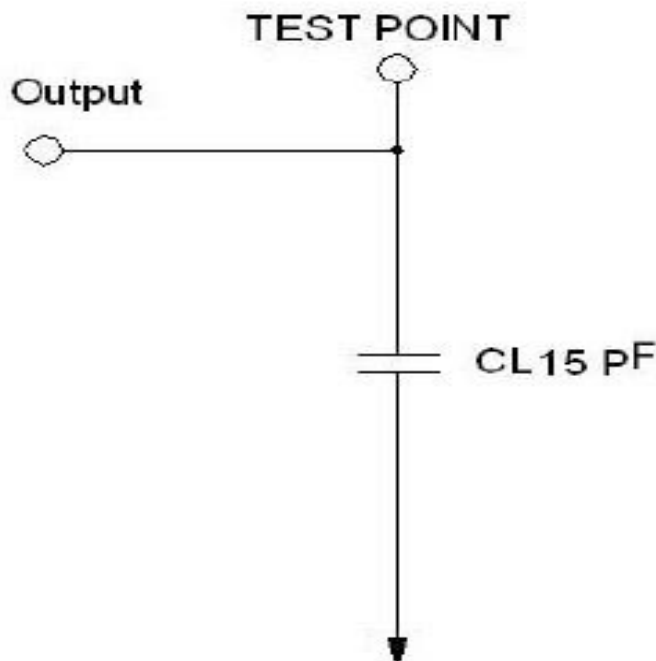


### PIN FUNCTIONS

Pin	Function
#1	Tri-State
#2	GND
#3	Output
#4	V <sub>DD</sub>

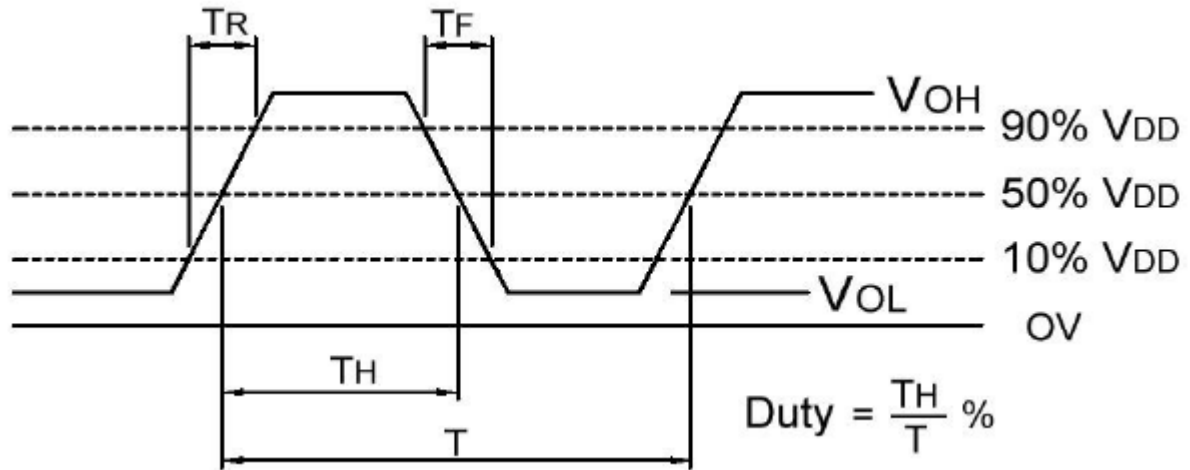


## 3、 Test Circuit

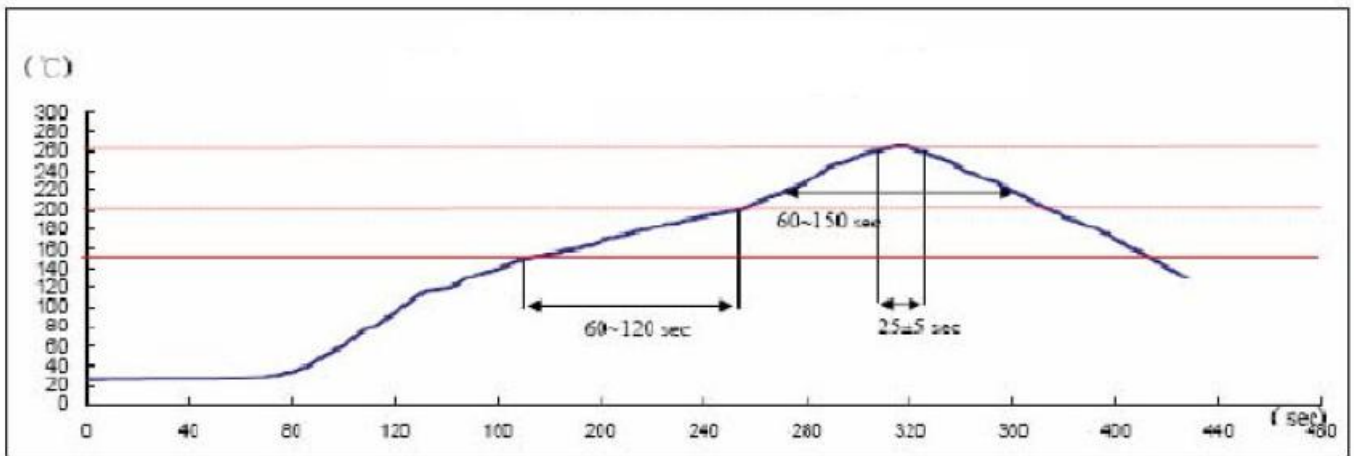




#### 4、 Output Waveform(CMOS Load)



#### 5、 Recommended Ir Reflow Profile



IR-Reflow Test

Reference Standard : JEDEC-STD 020

Test Conditions: Pre-heating : 150°C to 200 °C , 60~120 sec

Heating : 217 °C , 60~150 sec

Peak Temperature : 260±5 °C , 25±5 sec



## 6、 Package: Tape & Reel (mm)

