

Travelling Merchant: _____

DATASHEET

Standard: **DP7W13300002**

Plot			The Label
Drew	Audited	Approved	Stamp, please! Thanks!
Date: 2018.12.11			

Guangdong Dapu Telecom Technology Co.,Ltd

Bldg13,.N.Ind.Zone,SSL Industry Park, Dongguan City, Guangdong Province, China

TEL: 0086-0769-88010888 FAX: 0086-0769-81800098



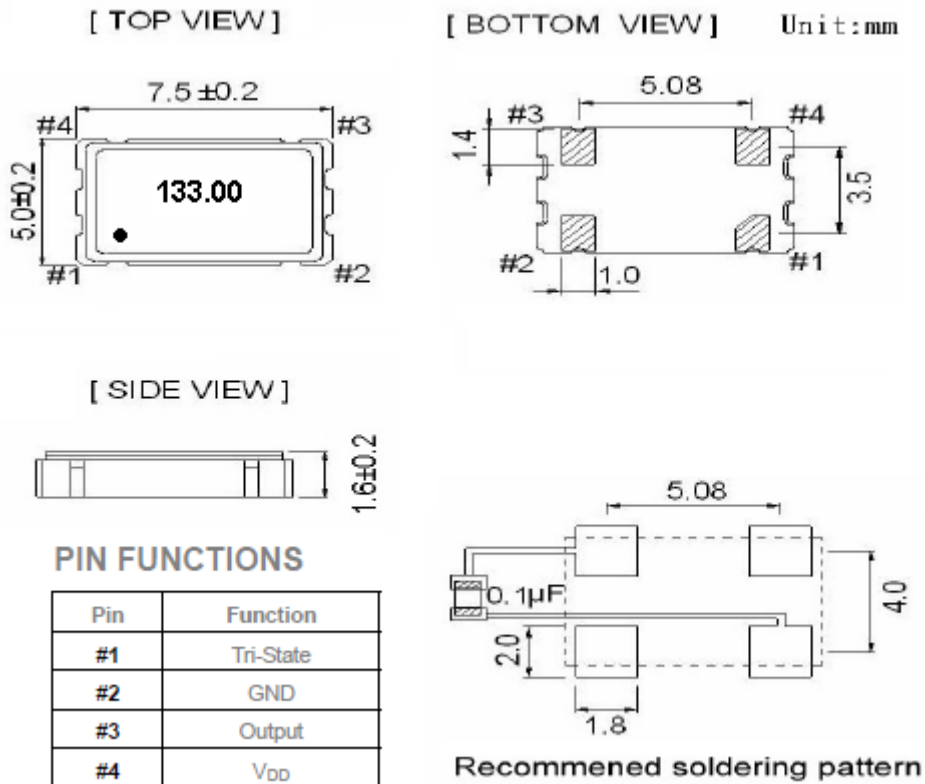
1、Electrical Parameters

MODEL: DP7W13300002							
No.	Parameters	SYM.	Electrical Spec.				Notes
			Min.	Typ.	Max.	Units	
1	Nominal Frequency	FL	133.00			MHz	
2	Output waveform		CMOS				
3	Frequency stability (Overall)	$\Delta f/f_n$	-50		+50	ppm	Frequency stability includes frequency tolerance@25°C and frequency stability vs. operating temperature range and voltage variance and first year aging.
4	Operating Temperature range	Topr	-40		85	°C	The operating temperature range over which the frequency stability is measured.
5	Storage Temperature range	Tstg	-55	~	125	°C	
6	Supply Voltage	VDD	2.97	3.3	3.63	V	
7	Current	Icc	-	-	40	mA	At maximum supply voltage
8	Output Load	CL			15	pF	
9	Output High(Logic "1")		2.97	-	-	V	
10	Output Low(Logic "0")		-	-	0.33	V	
11	Rise /Fall Time	Tr		-	5	ns	
12	Duty Cycle	Duty	45	50	55	%	
13	Start Time			-	8	ms	
14	Aging		-3		+3	ppm	Frequency drift in first year
15	Tri-State Output Active		2.31 or Floating			V	Pin 1 Tri-state
16	Tri-State Output in High-Impedance state				0.99	V	



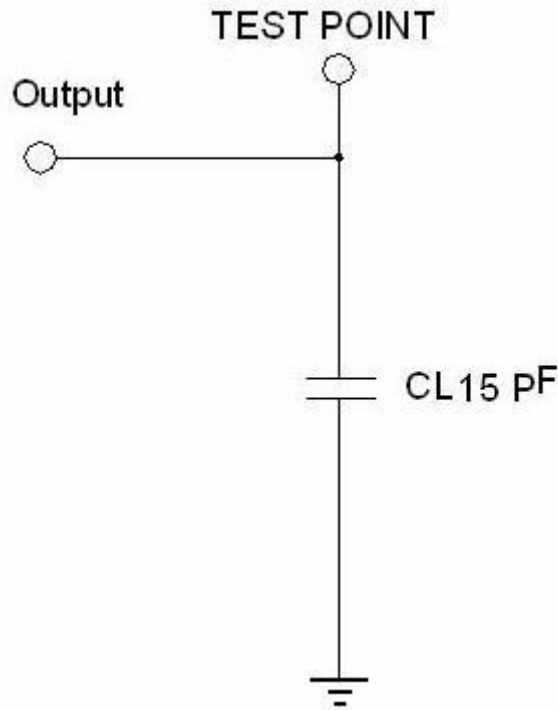
17	Vibration Test	MIL-STD-883 2007 Condition A	10~2000Hz, 1.52mm, 20g, each axis for 4 hrs
		JESD22-B103 Condition 1	
18	Thermal Shock	MIL-STD-883 1010 Condition B	-55°C,125°C;soak time is 10 mins, with total 200 cycles
		JESD22-A104 Condition B	
19	Mechanical Shock	MIL-STD-883 2002 Condition B	1500g, half-sine, 0.5s, each axis for 3 times.
		JESD22-B104 Condition B	

2、Mechanical Structure(mm)

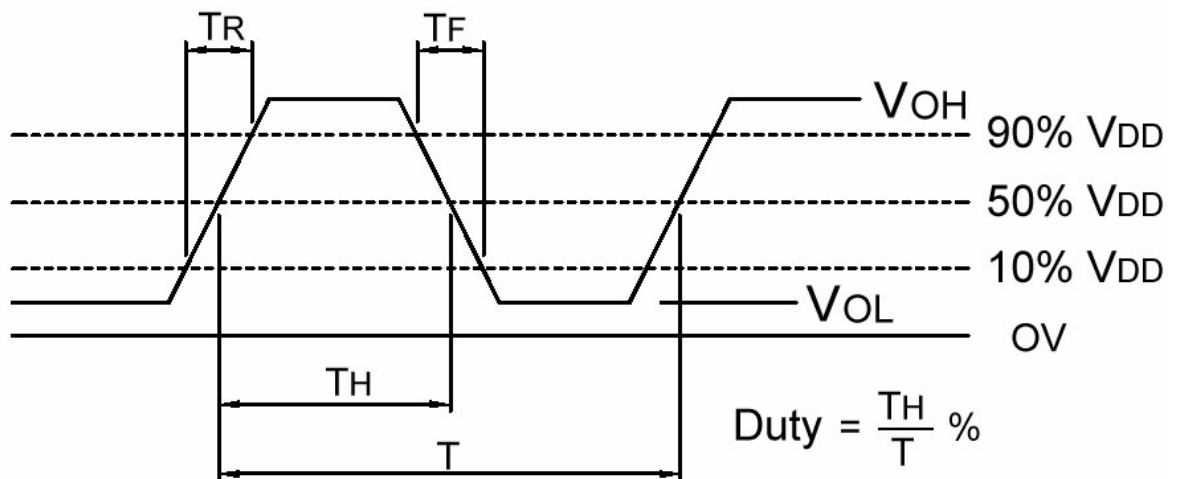




3、 Test Circuit(CMOS LOAD)



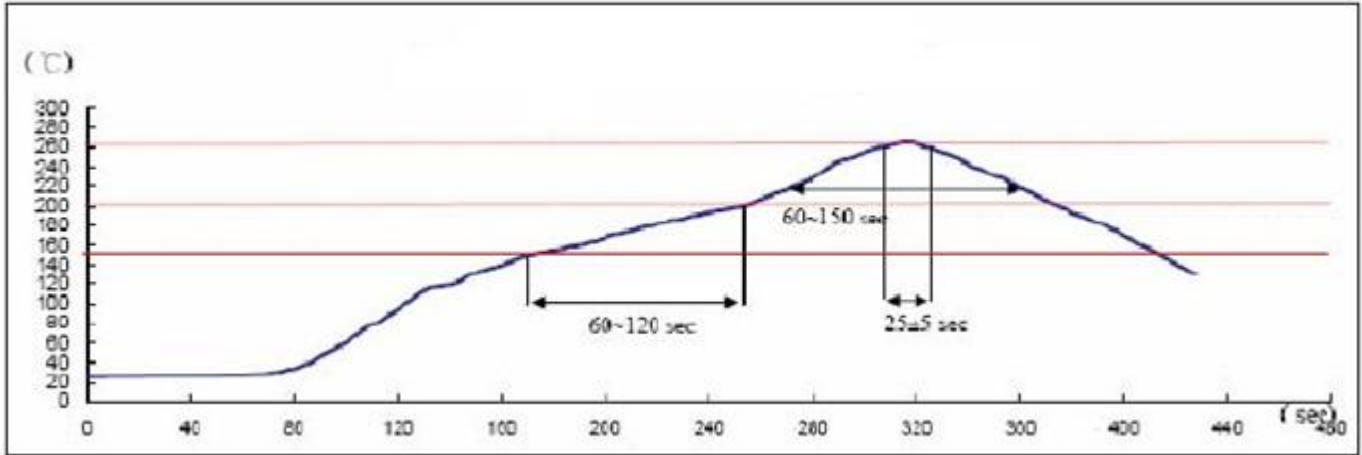
4、 Output Waveform(CMOS LOAD)





5、 Recommended IR Reflow Profile

IR REFLOW PROFILE OF CERAMIC SMD PRODUCTS FOR Pb FREE PROCESS



IR-Reflow Test

Reference Standard : JEDEC-STD 020

Test Conditions: Pre-heating : 150°C to 200 °C, 60~120 sec

Heating : 217 °C , 60~150 sec

Peak Temperature : 260±5 °C, 25±5 sec

6、 Package Information

TAPE(CARRIER)DIMENSIONS

