



The Parameter of Product

MODEL: T75A-J319-20.00MHz

1. Output

1.1. Frequency	20.00MHz
1.2. Waveform	HCMOS
	$V_{OH} \geq 2.4V, V_{OL} \leq 0.4V$
1.3. Duty Cycle	45%~55% @ 50%
1.4. Rise / Fall Time(10%~90%)	$\leq 5ns$
1.5. Load	15pF

2. Frequency Stabilities

2.1. Tolerance vs. Temperature Range	$\leq \pm 2.8 \times 10^{-7}$	@ -5°C ~ +80°C ref. to 25°C
2.2. Initial Tolerance	$\leq \pm 1.0 \times 10^{-6}$	@ 25°C
2.3. Calibration	$\leq \pm 4.6 \times 10^{-6}$	@ 25°C, Temperature -5°C to 80°C, Supply Voltage 3.3V $\pm 5\%$, Load 15pF $\pm 5\%$, Reflow Soldering and Ageing 20 years
2.4. Aging	$\leq \pm 2.0 \times 10^{-8}/day$ $\leq \pm 1.0 \times 10^{-6}/first\ year$	

3. Power Supply

3.1. Operating Voltage	+3.3Vdc(unalterable)
------------------------	----------------------

4. Current

4.1. Operating Current	4mA(Typical)
------------------------	--------------

5. Phase Noise (Typical)

5.1. 10Hz	-78dBc/Hz
5.2. 100Hz	-110dBc/Hz
5.3. 1KHz	-133dBc/Hz
5.4. 10KHz	-145dBc/Hz
5.5. 100KHz	-150dBc/Hz

6. Environmental Conditions

6.1. Operable Temperature Range	-5°C to +80°C
6.2. Storage Temperature Range	-55°C to +125°C
6.3. Vibration	Test Condition: 0.75mm ;acceleration:10g;50Hz~ 2000Hz, one cycle per 30 min, test 2 hour. (3 times for each 3 directions X , Y , Z)



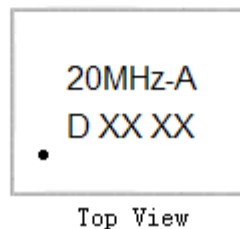
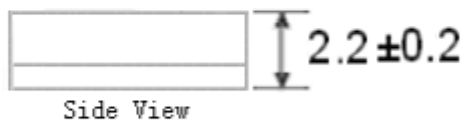
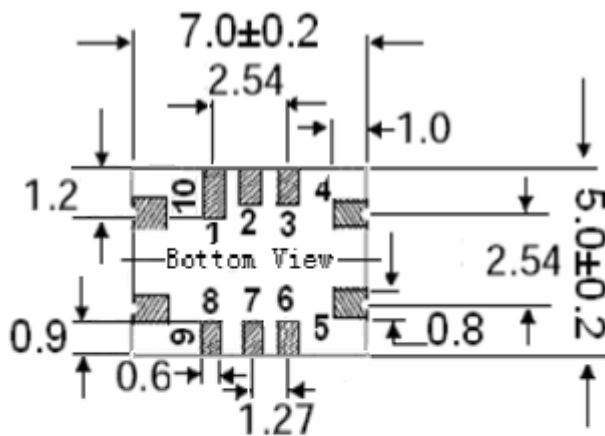
6.4. Shock

100g; 11ms; half sine wave (3 times for each 3 directions X ,Y, Z),IEC 68-2-27 Test Ea/Severity 50A.

6.5. Drop

Test Condition: free drop on steel-made surface or rigid planes from a height of 100cm,IEC 68-2-32.

7. Mechanical Structure (mm)



Pad Connections

- 1 N/C
- 2.N/C
- 3.N/C
- 4.GND
- 5.Output
- 6.N/C
- 7.N/C
- 8.N/C
- 9. +Vdd
- 10. N/C OR GND

Note1: The bottom view means that the stitches are against the people

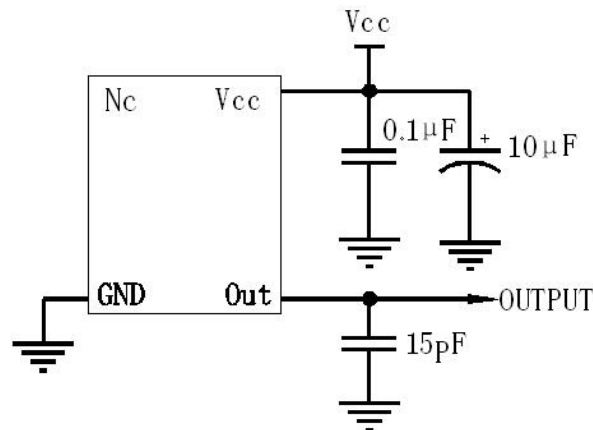
Unit: mm

Note2: D XX XX

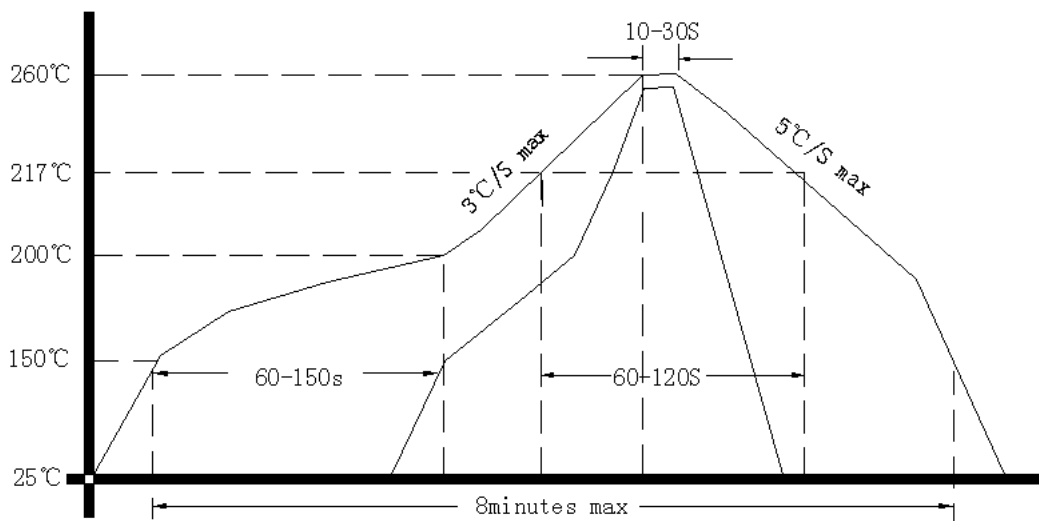
- (1) D Indicate DAPU
- (2) the fore xx indicate year of
- (3) the later XX indicate week of



8. Test Circuit



9. Reflow Soldering Curve (RoHS)



10. Package: Tape & Reel (mm)

